



6224 29th Street SE
 Calgary, Alberta T2C 1W3
 TEL (403) 236-7738
 FAX (403) 287-7728

NO.	DATE		REVISION		BY
	D	MO. YR.			

**MODULAR BUILDING - MV
 SERIES
 (8'W X 12'L X 8'H)**

CLIENT INFO

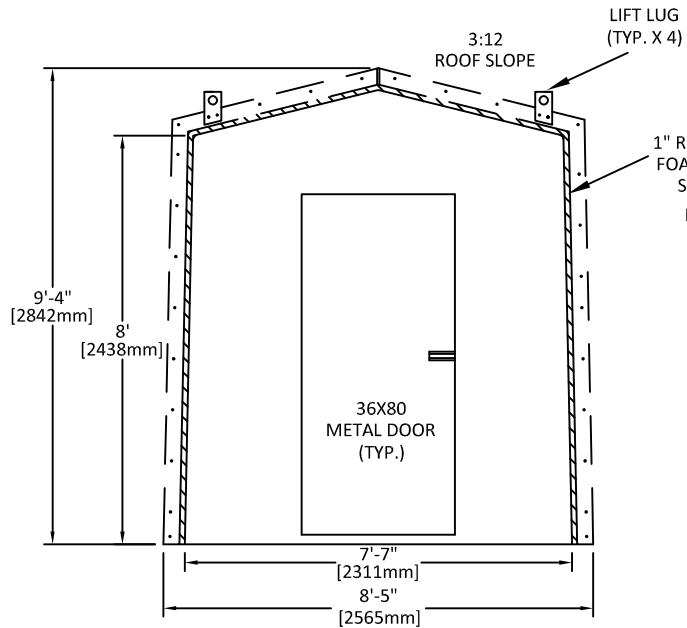
-
-
-
-

DRAWN BY: DB REVIEWED BY: REVIEWED
 SCALE: NTS DATE: 2010/12/20
 CLIENT APPROVAL
 SIGNATURE

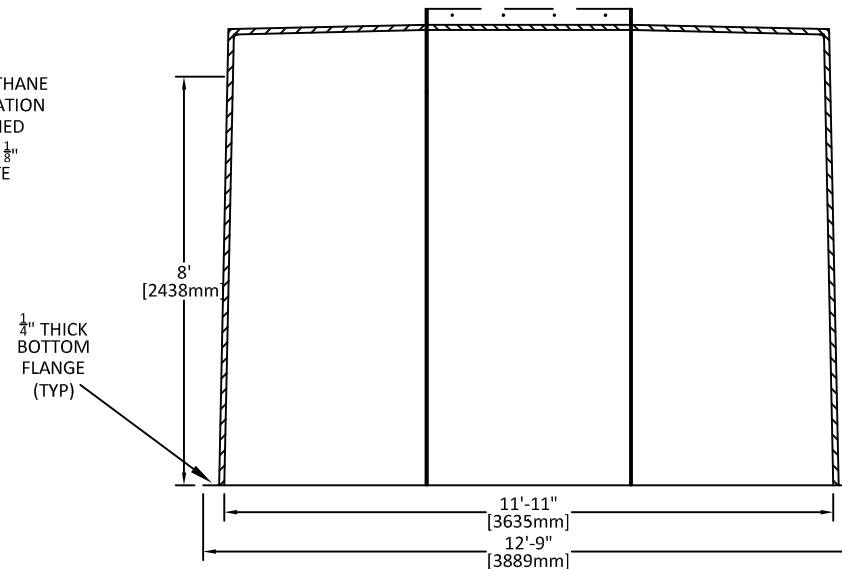
DATE

ISSUE FOR REVIEW PROJECT NO. X

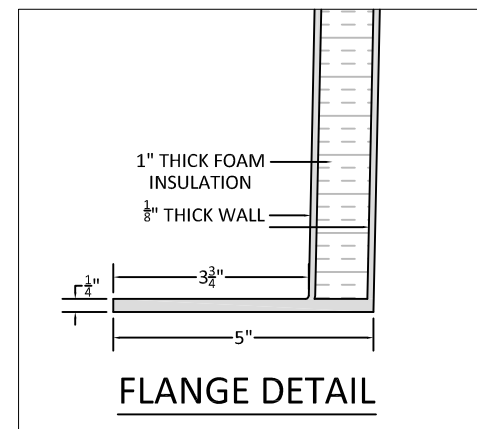
DWG1



FRONT ELEV.



RIGHT ELEV.



FLANGE DETAIL

ALL DIMENSIONS NOMINAL