



6224 29th Street SE  
 Calgary, Alberta T2C 1W3  
 TEL (403) 236-7738  
 FAX (403) 287-7728

NO.	DATE	REVISION	BY
D	MO.	YR.	

**MODULAR BUILDING - MV  
 SERIES  
 (8'W X 8'L X 10'H)**

CLIENT INFO  
 -  
 -  
 -  
 -

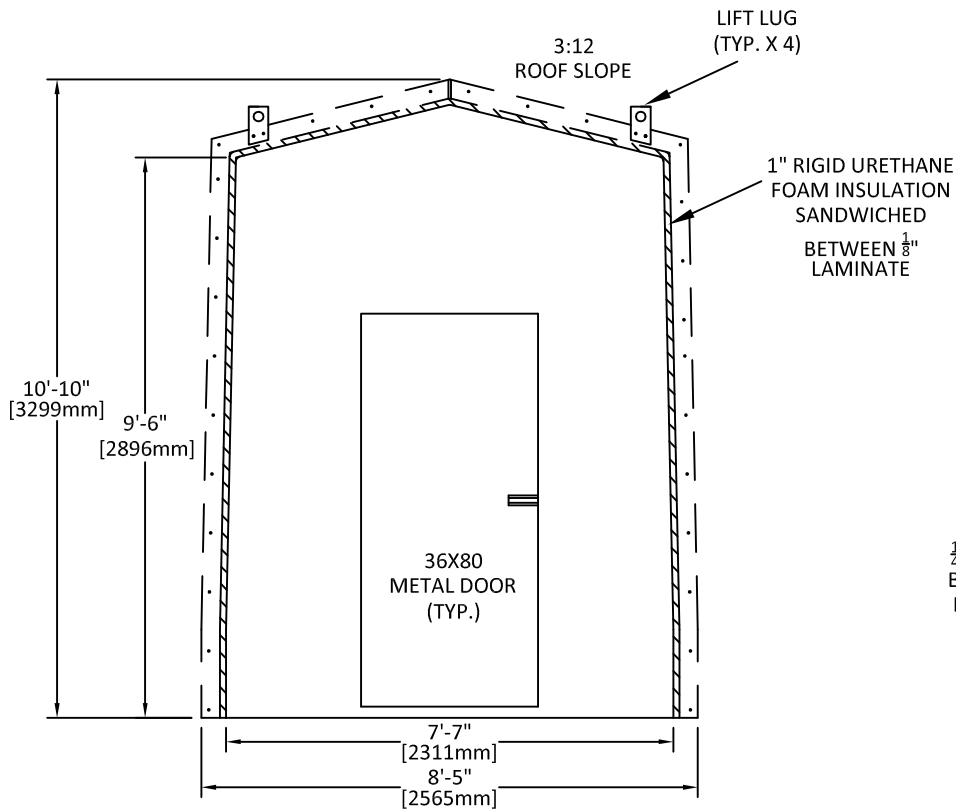
DRAWN BY DB      REVIEWED BY  
 SCALE NTS      DATE 2010/12/20

CLIENT APPROVAL  
 SIGNATURE

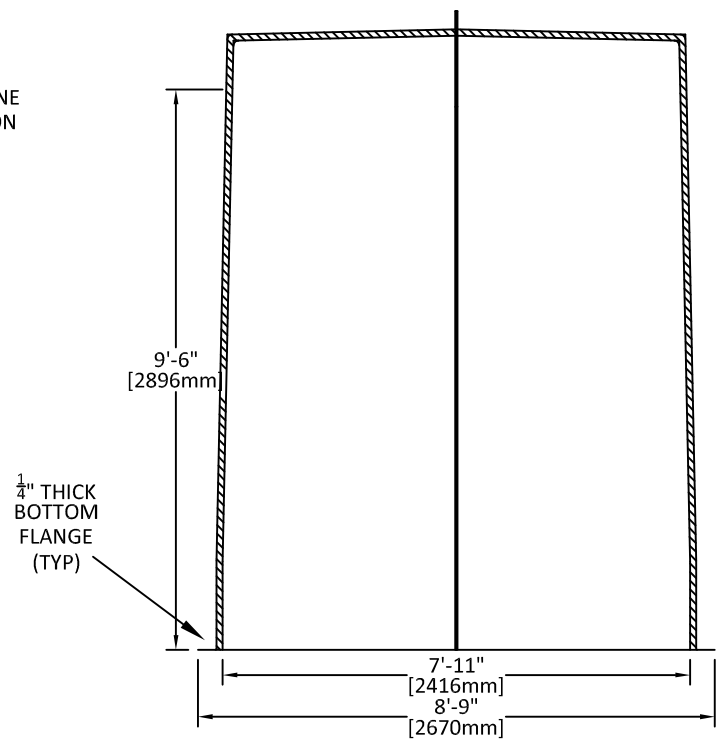
DATE

ISSUE FOR REVIEW      PROJECT NO. X

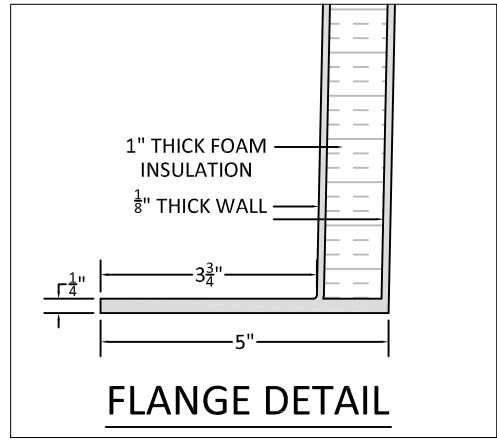
**DWG1**



**FRONT ELEV.**



**RIGHT ELEV.**



**FLANGE DETAIL**

\*\*\*ALL DIMENSIONS NOMINAL\*\*\*