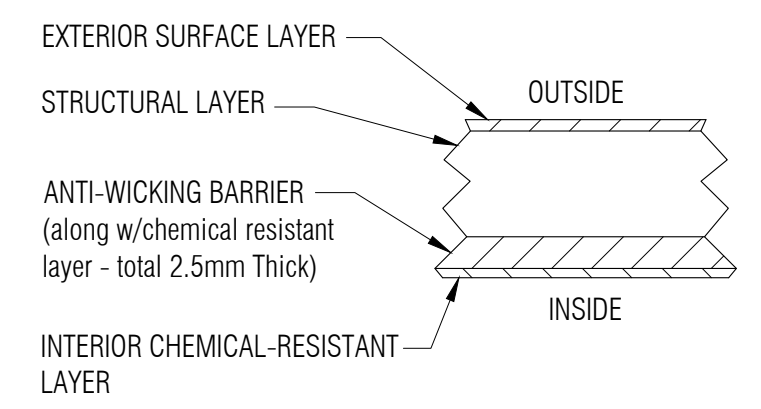
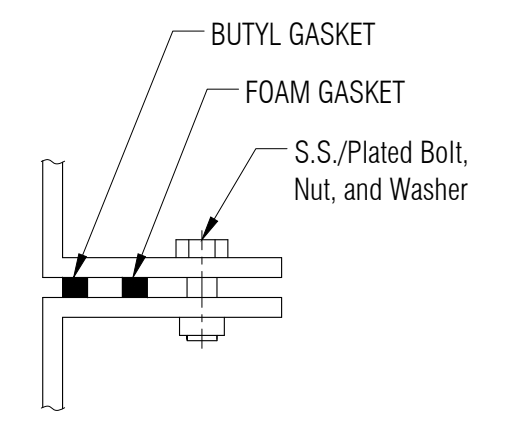


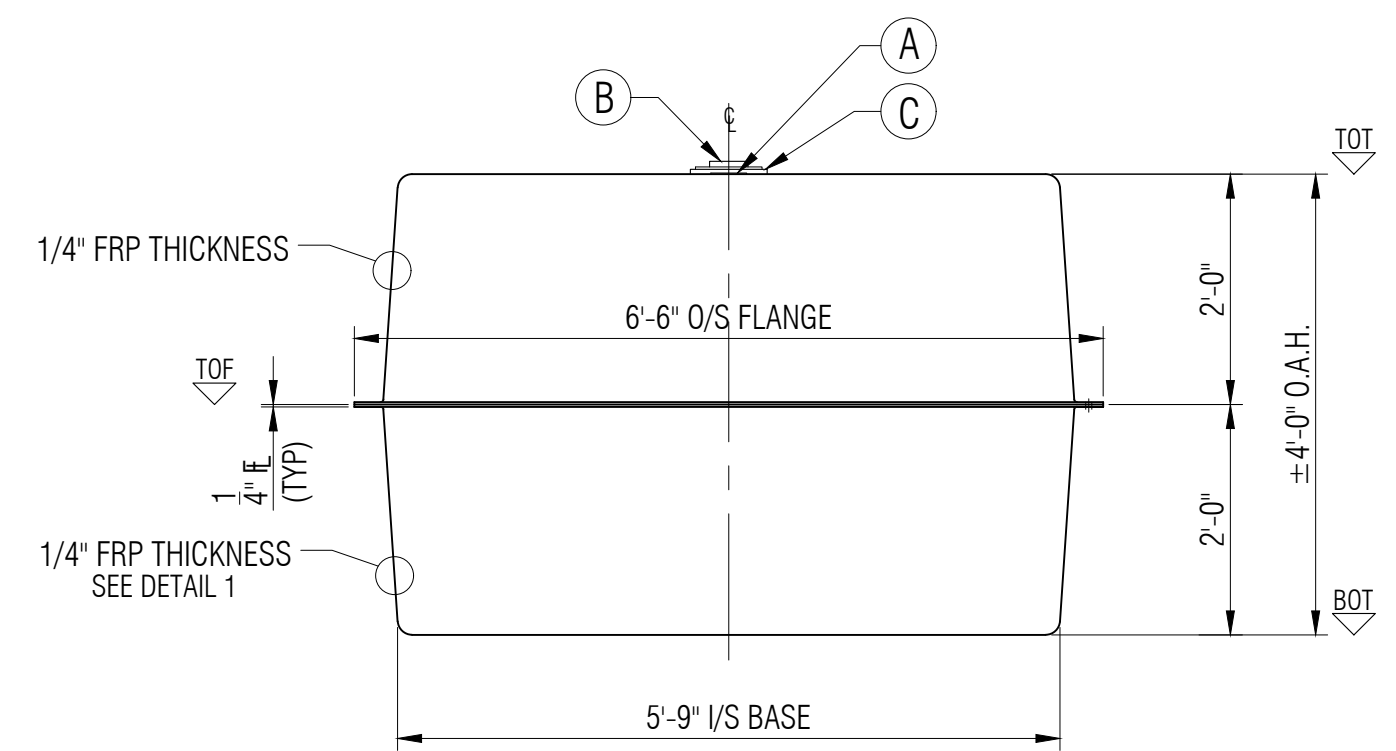
PLAN



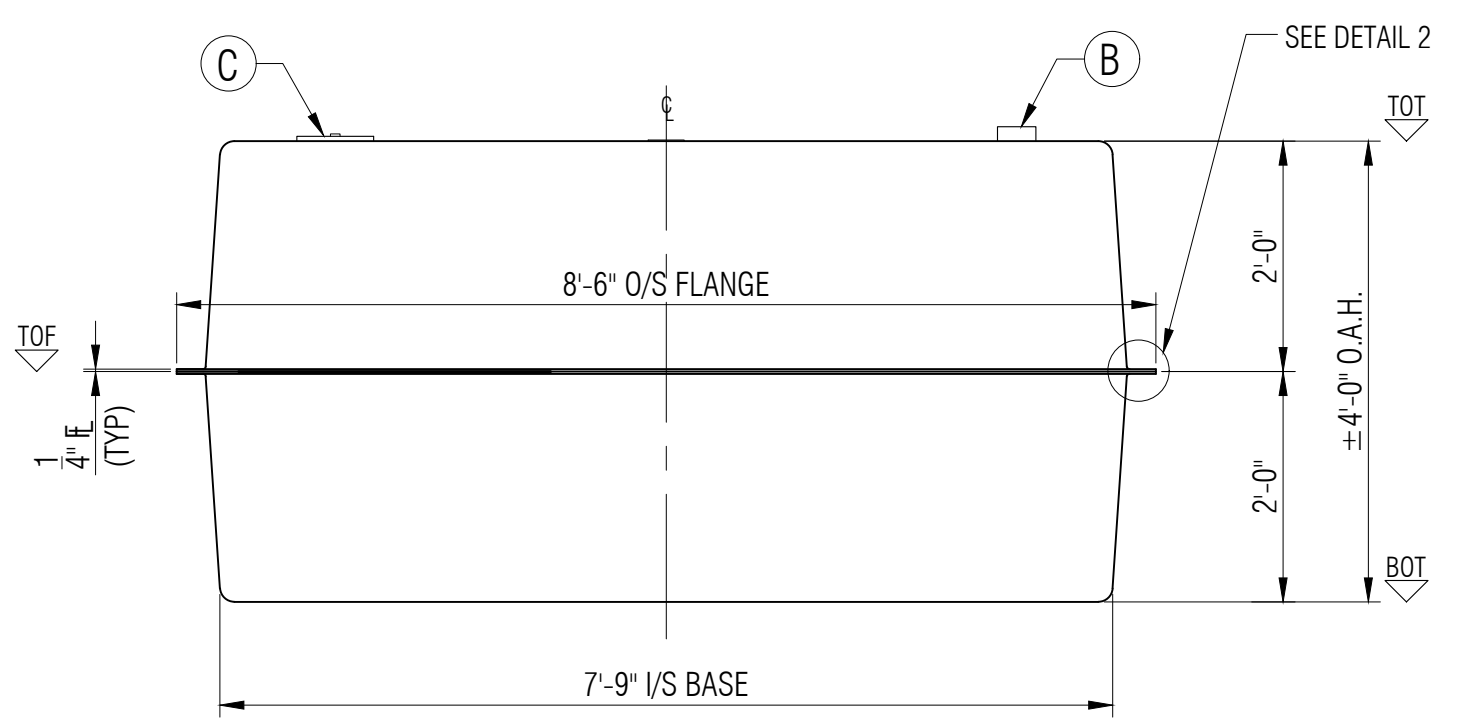
LAMINATE DETAIL 1
NTS



FLANGE TO FLANGE CONNECTION DETAIL 2
NTS





ELEVATION A



ELEVATION B

LEGEND:
 TOT - TOP OF TANK
 TOF - TOP OF FLANGE
 BCD - BOLT CENETR DIAMETER
 BOT - BOTTOM OF TANK
 I/S - INSIDE
 O.A.H.-OVERALL HEIGHT
 O.A.L.-OVERALL LENGTH
 I/S - INSIDE
 O/S- OUTSIDE
 Ø - DIAMETER
 ° - DEGREE/S
 TYP- TYPICAL
 CL - CENTER LINE
 NTS - NOT TO SCALE

GENERAL NOTES:
 - CSA B66 CERTIFIED FOR SEWAGE.
 - TANK COMES UNASSEMBLED FROM FACTORY.
 - DIMENSIONS SHOWN IN FEET INCHES FORMAT OTHERWISE NOTED.
 - 1/2" FABRICATION TOLERANCE. DOES NOT APPLY TO LAMINATE THICKNESS.

ITEM#	QTY	PART LIST/DESCRIPTION	APPROX. WEIGHT:	159KG (350LBS.)	DRAWN:	ATF	CLIENT:	FRP/MOCOAT FIBERGLASS LTD.		
A	1	NAMEPLATE	OVERALL CAPACITY:	4,546 L (1,000 IG/1,200 USG)	CHECKED:		TITLE:	AGS-1000-OV SEWAGE STORAGE TANK		
B	1	4"Ø PVC-DWV COUPLING - INLET			DATE:	NOV. 30, 2023	  FRP/MOCOAT FIBERGLASS LTD.	REVISION	0	
C	1	8"Ø NON-VENTED POLY LID			DESIGNED:			DRAWING NUMBER:	AGS-1000-OV	
D					APPROVED:	MPS	SCALE	1:20	EST#:	
E					MFG:	DS	SO#:		SHEET	1/1
F					PM:	GA	PO#:			
G					SALES:	DG				