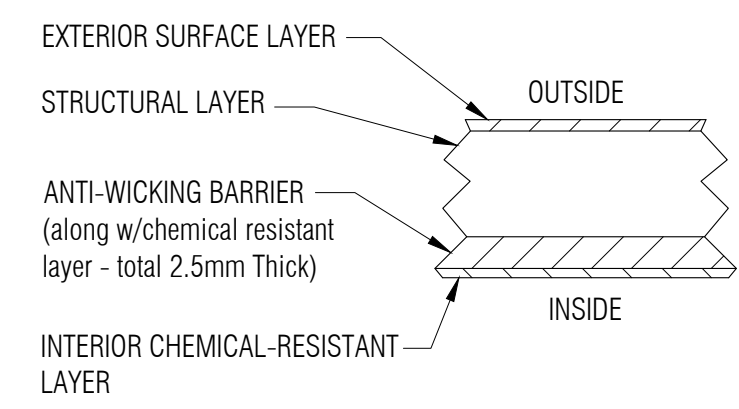
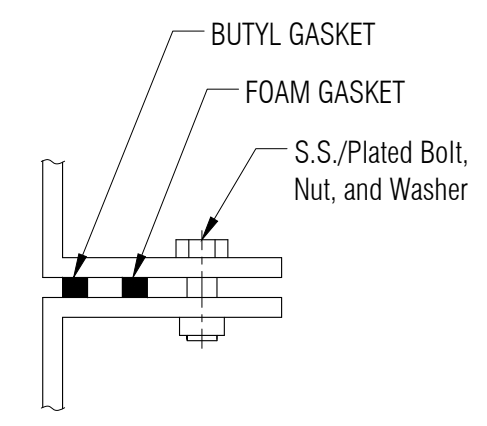


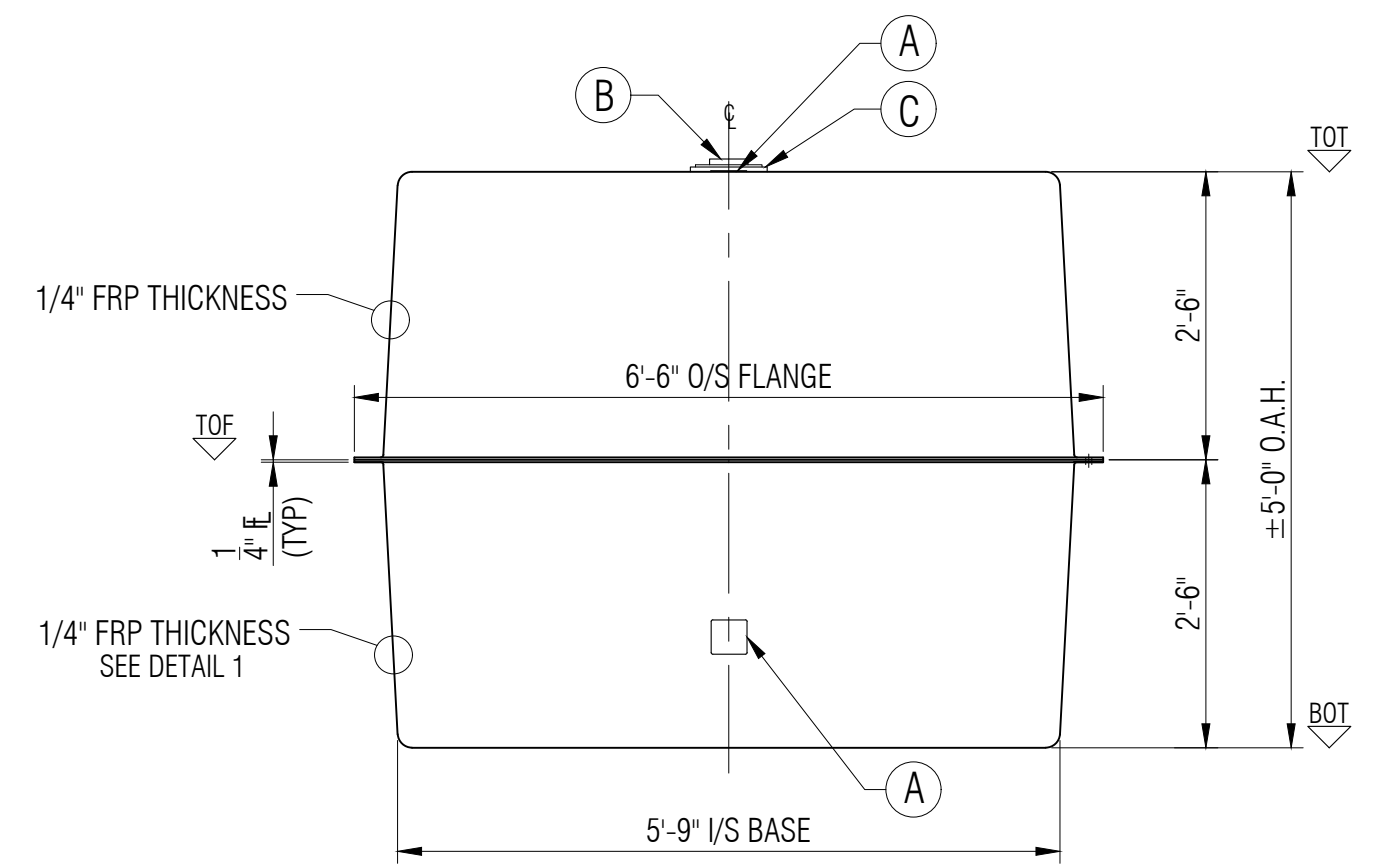
**PLAN**



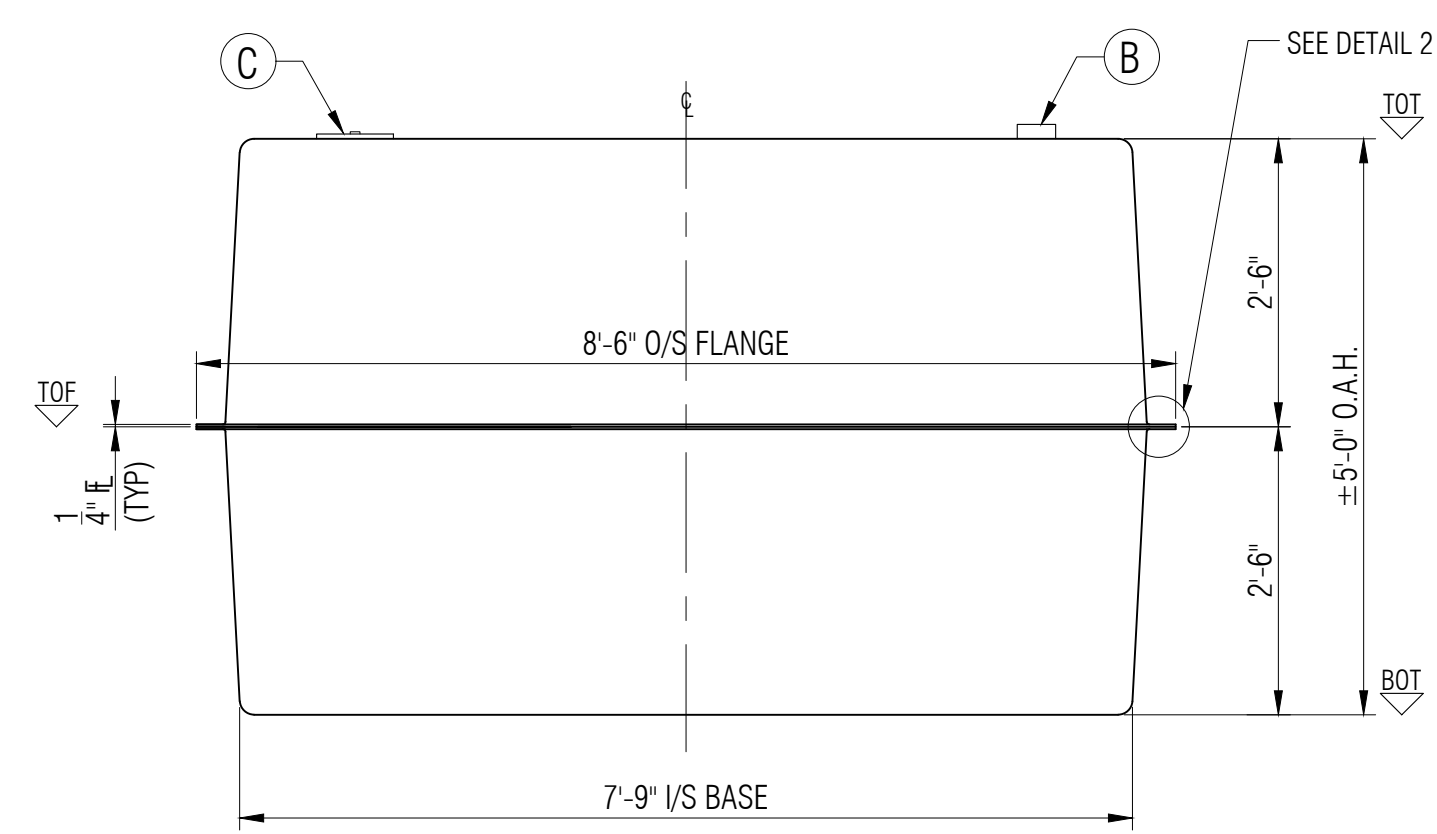
**LAMINATE DETAIL 1**  
NTS



**FLANGE TO FLANGE CONNECTION DETAIL 2**  
NTS



**ELEVATION A**





**ELEVATION B**

- LEGEND:
- TOT - TOP OF TANK
  - TOF - TOP OF FLANGE
  - BCD - BOLT CENETR DIAMETER
  - BOT - BOTTOM OF TANK
  - I/S - INSIDE
  - O.A.H.-OVERALL HEIGHT
  - O.A.L.-OVERALL LENGTH
  - I/S - INSIDE
  - O/S - OUTSIDE
  - Ø - DIAMETER
  - ° - DEGREE/S
  - TYP- TYPICAL
  - ℄ - CENTER LINE
  - NTS - NOT TO SCALE

GENERAL NOTES:

- CSA B66 CERTIFIED FOR SEWAGE.
- TANK COMES UNASSEMBLED FROM FACTORY.
- DIMENSIONS SHOWN IN FEET INCHES FORMAT OTHERWISE NOTED.
- 1/2" FABRICATION TOLERANCE. DOES NOT APPLY TO LAMINATE THICKNESS.

ITEM#	QTY	PART LIST/DESCRIPTION	APPROX. WEIGHT:	173KG (380LBS.)	DRAWN:	ATF	CLIENT:	FRP/MOCOAT FIBERGLASS LTD.		
A	1	NAMEPLATE	OVERALL CAPACITY:	5,683 L (1,250 IG/1,500 USG)	CHECKED:		TITLE:	<b>AGS-1250-OV SEWAGE STORAGE TANK</b>		
B	1	4"Ø PVC-DWV COUPLING - INLET			DATE:	JAN. 24, 2024	  <b>FRP MOCOAT</b> FIBERGLASS LTD.	REVISION	0	
C	1	8"Ø NON-VENTED POLY LID			DESIGNED:			DRAWING NUMBER:	AGS-1250-OV	
D					APPROVED:	MPS	SCALE	EST#:	SO#:	SHEET
E					MFG:	DS	1:20	PO#:	JOB#:	1/1
F					PM:	GA				
G					SALES:	DG				