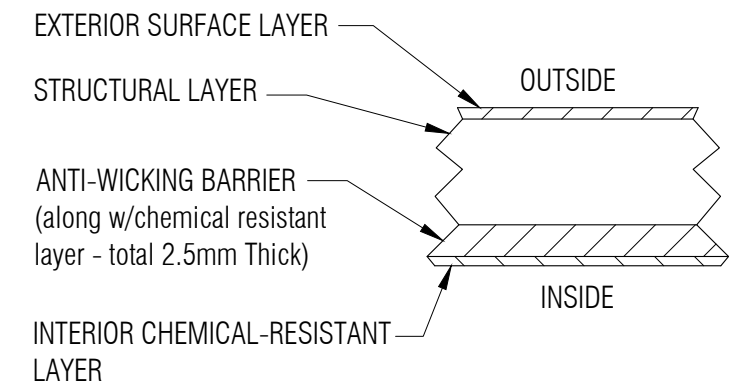
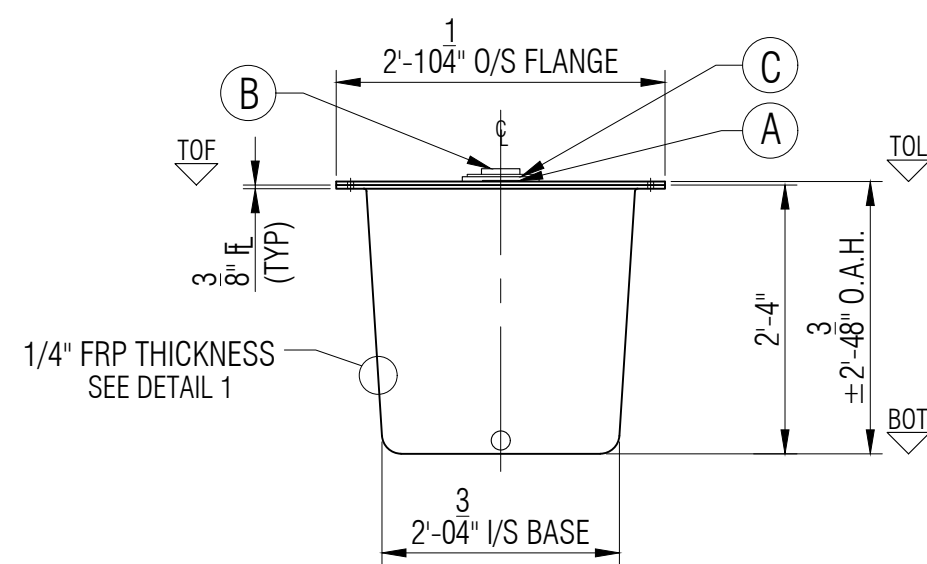


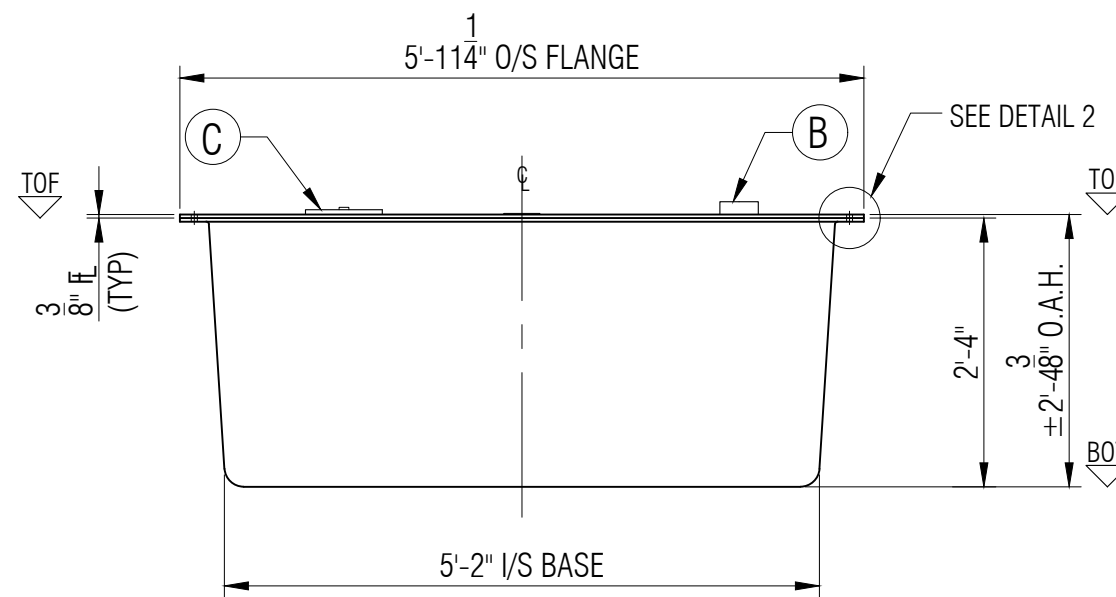
**PLAN**



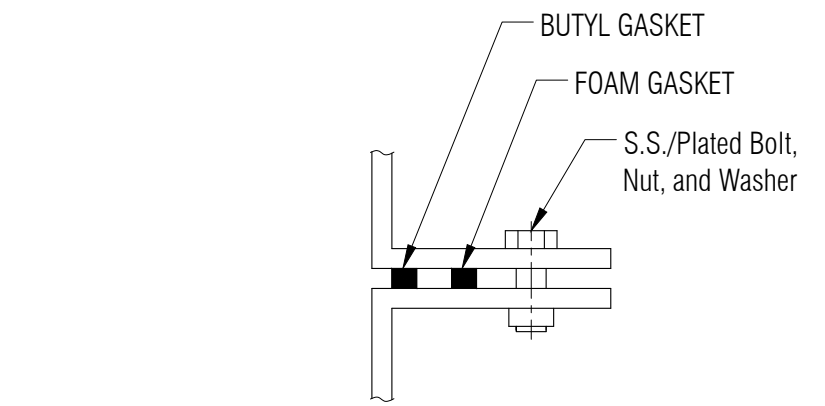
**LAMINATE DETAIL 1**  
NTS



**ELEVATION A**





**ELEVATION B**



**FLANGE TO FLANGE CONNECTION DETAIL 2**  
NTS

LEGEND:  
 TOL - TOP OF LID  
 TOF - TOP OF FLANGE  
 BCD - BOLT CENETR DIAMETER  
 BOT - BOTTOM OF TANK  
 I/S - INSIDE  
 O.A.H.-OVERALL HEIGHT  
 O.A.L.-OVERALL LENGTH  
 I/S - INSIDE  
 O/S - OUTSIDE  
 Ø - DIAMETER  
 ° - DEGREE/S  
 TYP- TYPICAL  
 CL - CENTER LINE  
 NTS - NOT TO SCALE

GENERAL NOTES:  
 - CSA B66 CERTIFIED FOR SEWAGE.  
 - TANK COMES UNASSEMBLED FROM FACTORY.  
 - DIMENSIONS SHOWN IN FEET INCHES FORMAT OTHERWISE NOTED.  
 - 1/2" FABRICATION TOLERANCE. DOES NOT APPLY TO LAMINATE THICKNESS.

ITEM#	QTY	PART LIST/DESCRIPTION	APPROX. WEIGHT:	52KG (115LBS.)	DRAWN:	ATF	CLIENT:	FRP/MOCOAT FIBERGLASS LTD.		
A	1	NAMEPLATE	OVERALL CAPACITY:	682 L (150IG/180 USG)	CHECKED:		TITLE:	<b>AGS-150-OV SEWAGE STORAGE TANK</b>		
B	1	4"Ø PVC-DWV COUPLING - INLET			DATE:	NOV. 29, 2023	  <b>FRP MOCOAT</b> FIBERGLASS LTD.	SIZE	DRAWING NUMBER:	REVISION
C	1	8"Ø NON-VENTED POLY LID			DESIGNED:			C	AGS-150-OV	0
D					APPROVED:	MPS	SCALE	EST#:	SO#:	SHEET
E					MFG:	DS	1:20	PO#:	JOB#:	1/1
F					PM:	GA				
G					SALES:	DG				