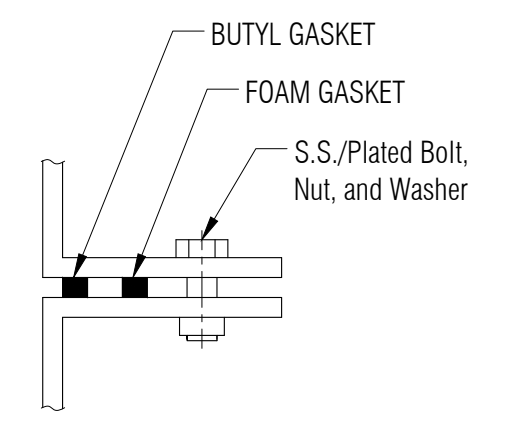
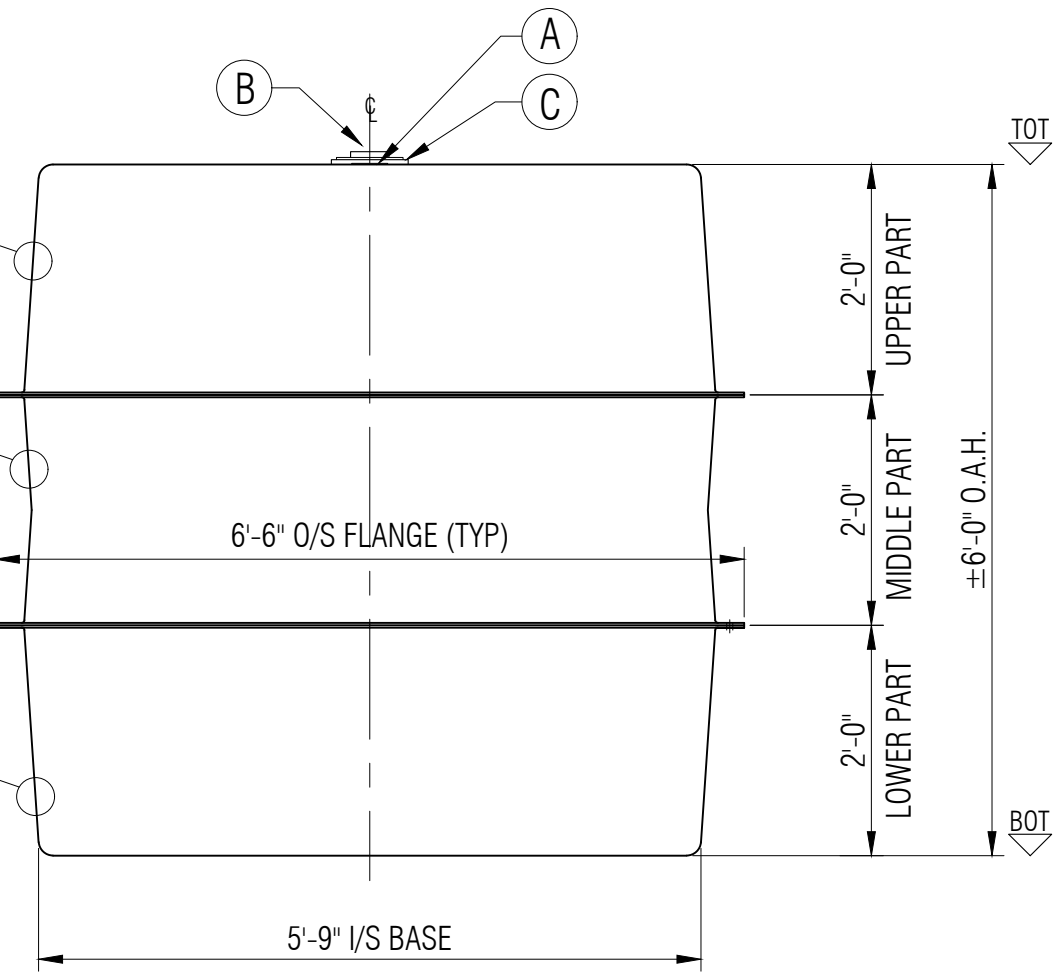


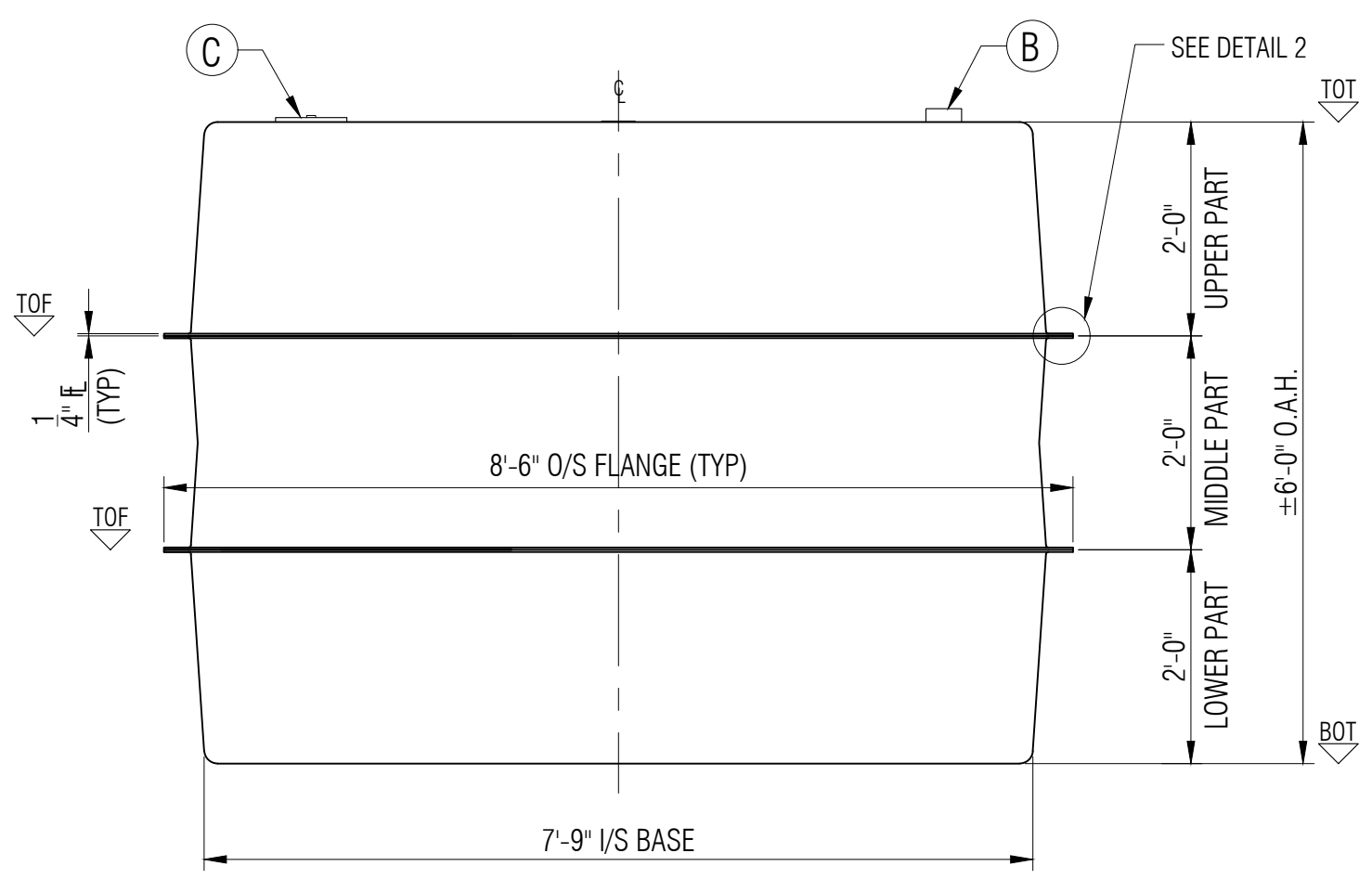
**LAMINATE DETAIL 1**  
NTS



**FLANGE TO FLANGE CONNECTION DETAIL 2**  
NTS





**ELEVATION A**



**ELEVATION B**

- LEGEND:  
 TOT - TOP OF TANK  
 TOF - TOP OF FLANGE  
 BCD - BOLT CENETR DIAMETER  
 BOT - BOTTOM OF TANK  
 I/S - INSIDE  
 O.A.H.-OVERALL HEIGHT  
 O.A.L.-OVERALL LENGTH  
 I/S - INSIDE  
 O/S - OUTSIDE  
 Ø - DIAMETER  
 ° - DEGREE/S  
 TYP- TYPICAL  
 CL - CENTER LINE  
 NTS - NOT TO SCALE

GENERAL NOTES:  
 - CSA B66 CERTIFIED FOR SEWAGE.  
 - TANK COMES UNASSEMBLED FROM FACTORY.  
 - DIMENSIONS SHOWN IN FEET INCHES FORMAT OTHERWISE NOTED.  
 - 1/2" FABRICATION TOLERANCE. DOES NOT APPLY TO LAMINATE THICKNESS.

ITEM#	QTY	PART LIST/DESCRIPTION	APPROX. WEIGHT:	239KG (525LBS.)	DRAWN:	ATF	CLIENT:	FRP/MOCOAT FIBERGLASS LTD.			
A	1	NAMEPLATE	OVERALL CAPACITY:	6,819 L (1,500 IG/1,800 USG)	CHECKED:		TITLE:	<b>AGS-1500-OV SEWAGE STORAGE TANK</b>			
B	1	4"Ø PVC-DWV COUPLING - INLET			DATE:	JAN. 24, 2024	  <b>FRP/MOCOAT</b> FIBERGLASS LTD.	REVISION	0		
C	1	8"Ø NON-VENTED POLY LID			DESIGNED:			DRAWING NUMBER:	AGS-1500-OV		
D					APPROVED:	MPS	SIZE	C		SHEET	1/1
E					MFG:	DS	SCALE	1:20		EST#:	
F					PM:	GA	SO#:			PO#:	
G					SALES:	DG	JOB#:				