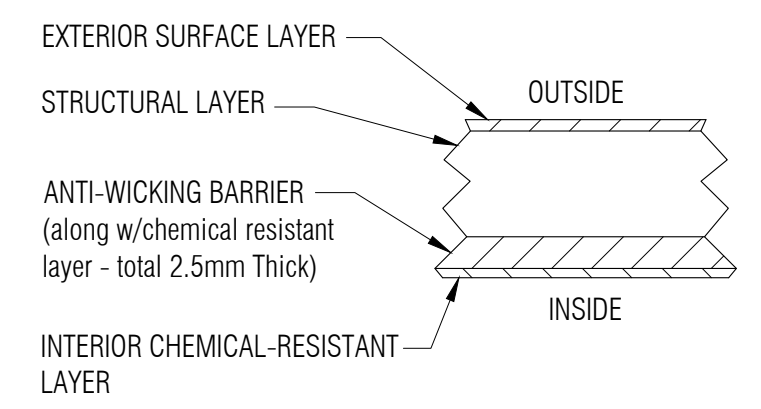
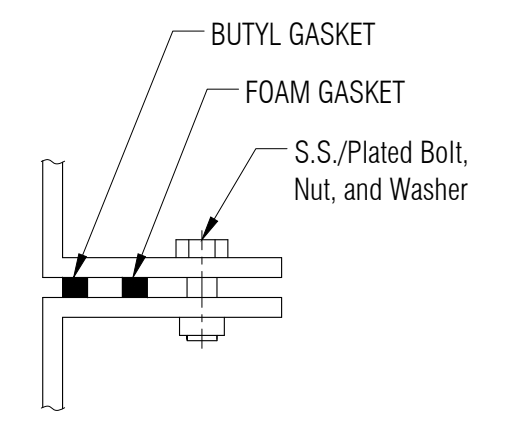


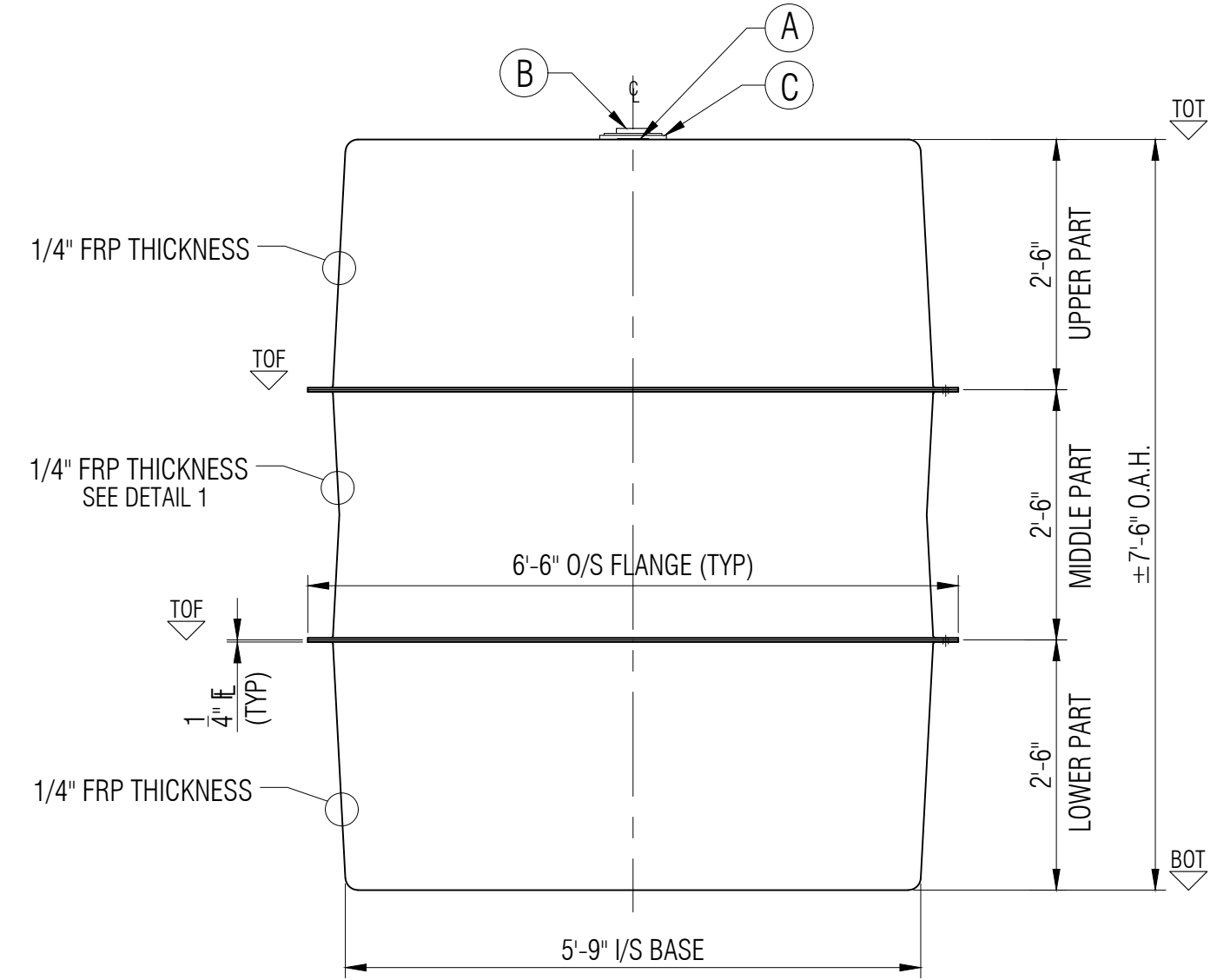
**PLAN**



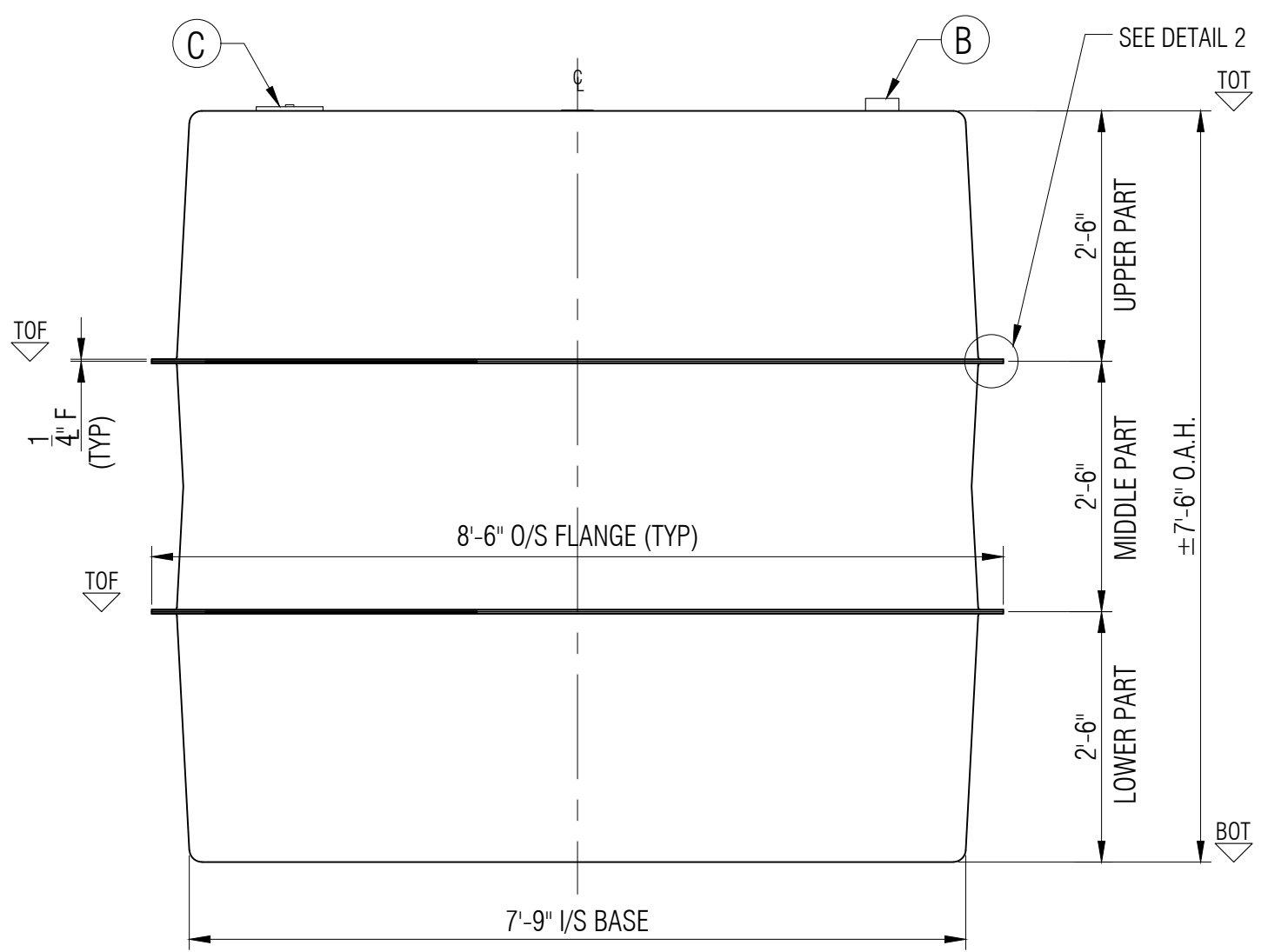
**LAMINATE DETAIL 1**  
NTS



**FLANGE TO FLANGE CONNECTION DETAIL 2**  
NTS



**ELEVATION A**



**ELEVATION B**

LEGEND:  
 TOT - TOP OF TANK  
 TOF - TOP OF FLANGE  
 BCD - BOLT CENETR DIAMETER  
 BOT - BOTTOM OF TANK  
 I/S - INSIDE  
 O.A.H.-OVERALL HEIGHT  
 O.A.L.-OVERALL LENGTH  
 I/S - INSIDE  
 O/S - OUTSIDE  
 Ø - DIAMETER  
 ° - DEGREE/S  
 TYP- TYPICAL  
 CL - CENTER LINE  
 NTS - NOT TO SCALE

GENERAL NOTES:  
 - CSA B66 CERTIFIED FOR SEWAGE.  
 - TANK COMES UNASSEMBLED FROM FACTORY.  
 - DIMENSIONS SHOWN IN FEET INCHES FORMAT OTHERWISE NOTED.  
 - 1/2" FABRICATION TOLERANCE. DOES NOT APPLY TO LAMINATE THICKNESS.

ITEM#	QTY	PART LIST/DESCRIPTION	APPROX. WEIGHT:	259KG (570LBS.)	DRAWN:	ATF	CLIENT:	FRP/MOCOAT FIBERGLASS LTD.
A	1	NAMEPLATE	OVERALL CAPACITY:	8,523 L (1,875 IG/2,250 USG)	CHECKED:		<b>AGS-1875-OV SEWAGE STORAGE TANK</b>	
B	1	4"Ø PVC-DWV COUPLING - INLET			DATE:	FEB. 02, 2023	<b>FRP MOCOAT FIBERGLASS LTD.</b>	
C	1	8"Ø NON-VENTED POLY LID			DESIGNED:		SIZE: <b>C</b>	DRAWING NUMBER: <b>AGS-1875-OV</b>
D					APPROVED:	MPS	EST#:	SO#:
E					MFG:	DS	PO#:	JOB#:
F					PM:	GA	SCALE: <b>1:20</b>	REVISION: <b>0</b>
G					SALES:	DG		SHEET: <b>1/1</b>