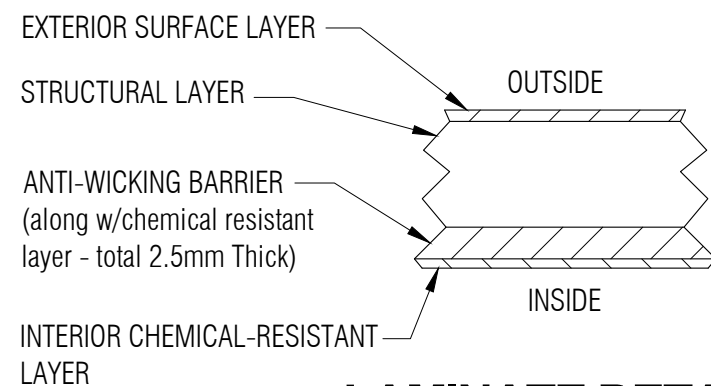
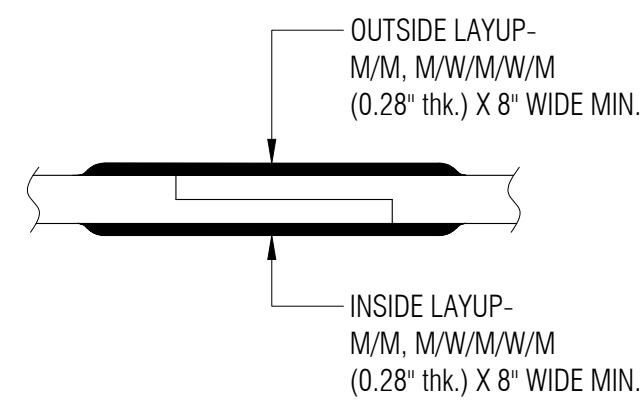


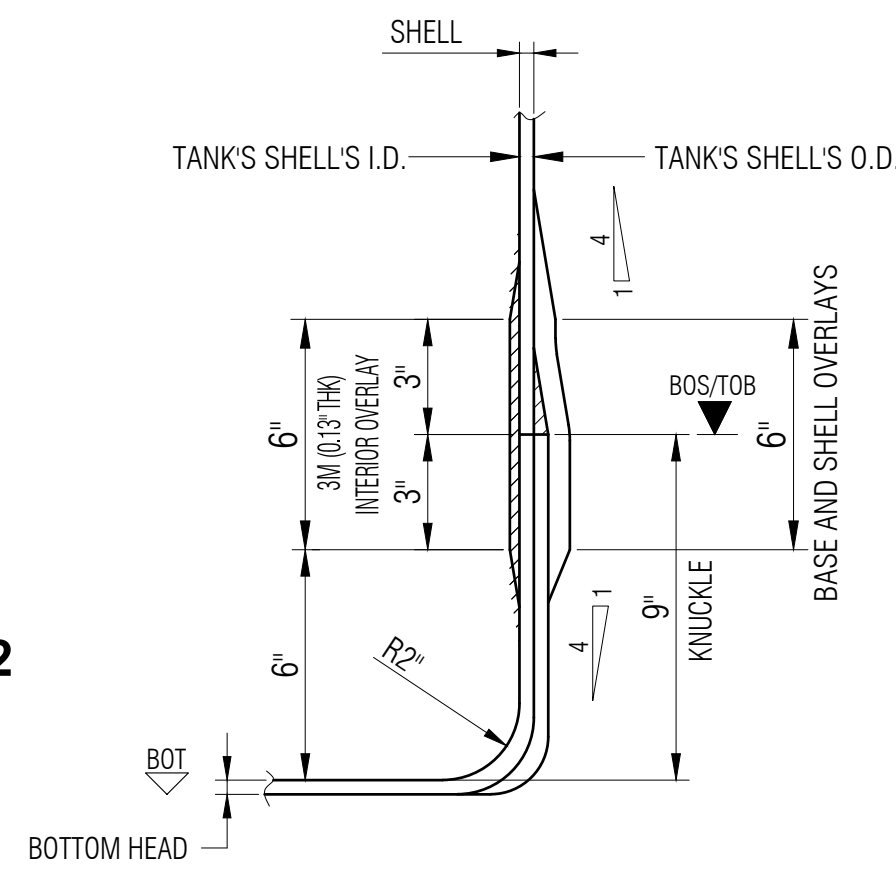
PLAN



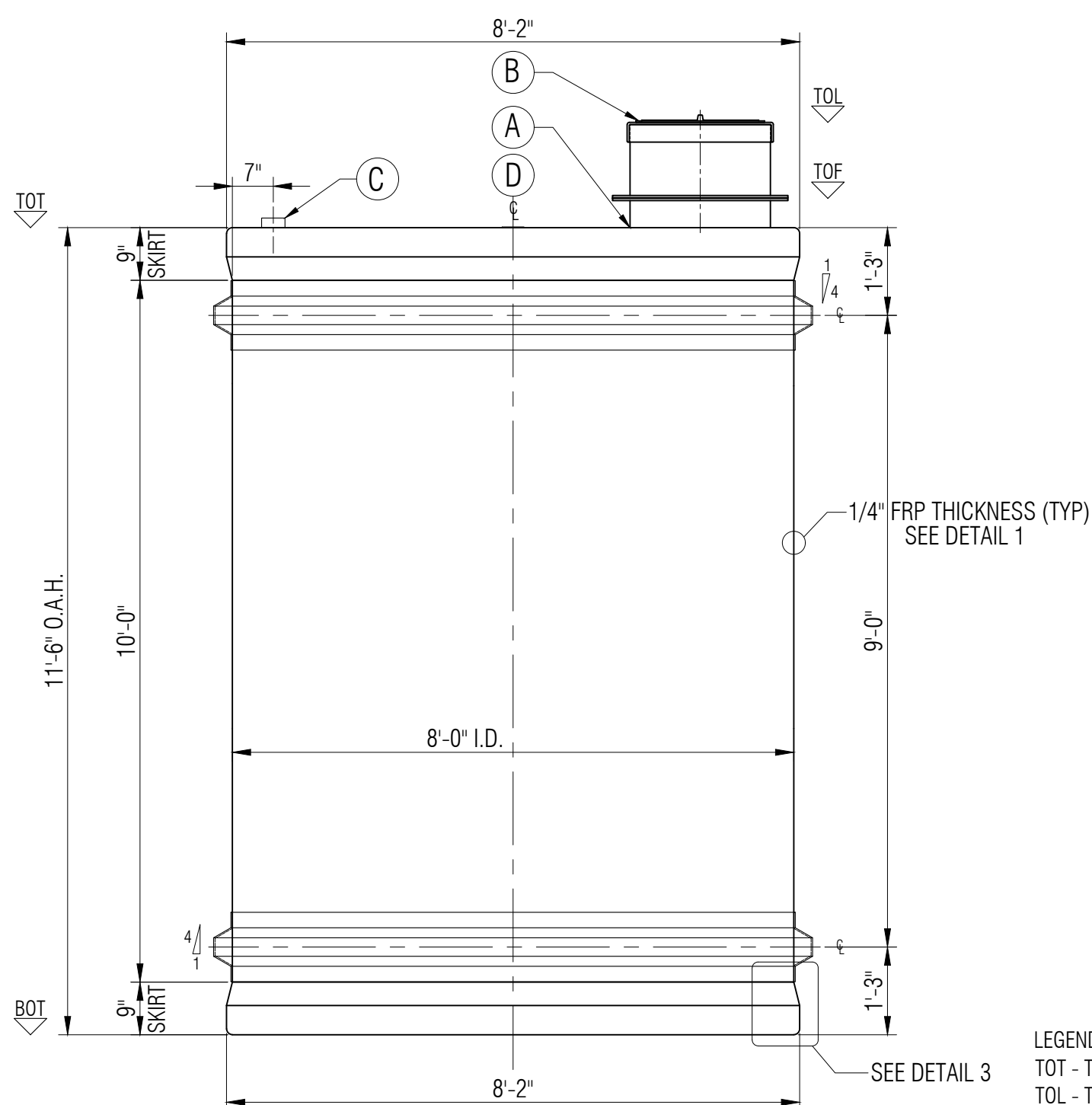
LAMINATE DETAIL 1
NTS



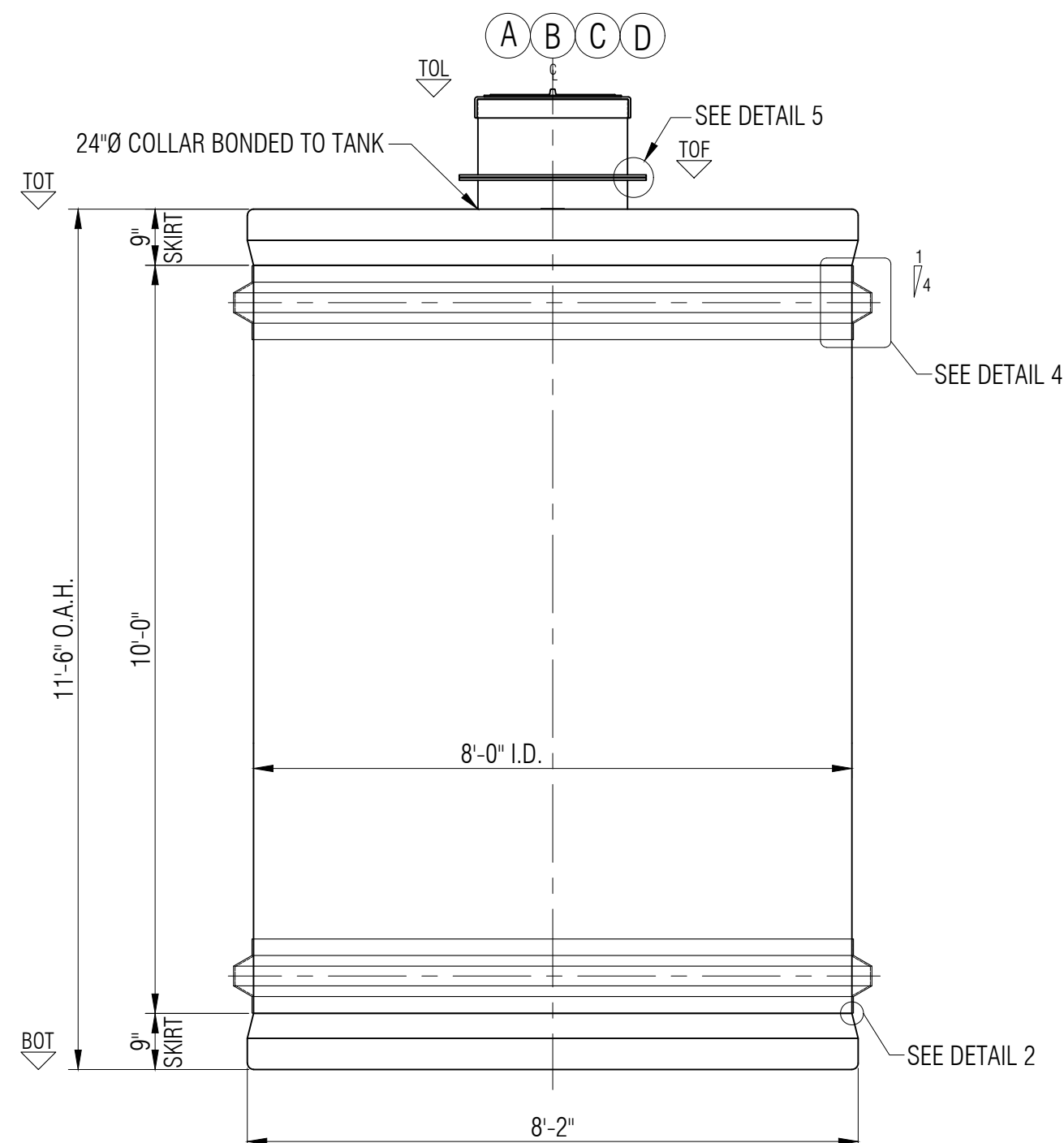
TYPICAL BODY JOINT DETAIL 2
NTS



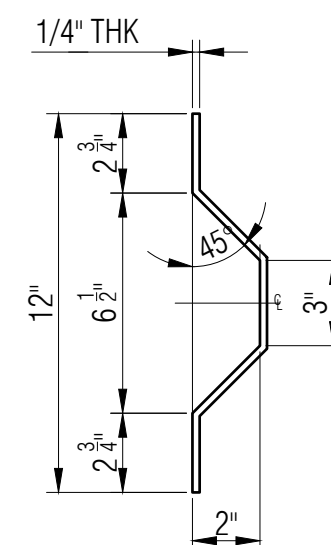
KNUCKLE/BASE/TOP/SHELL DETAIL 3
NTS



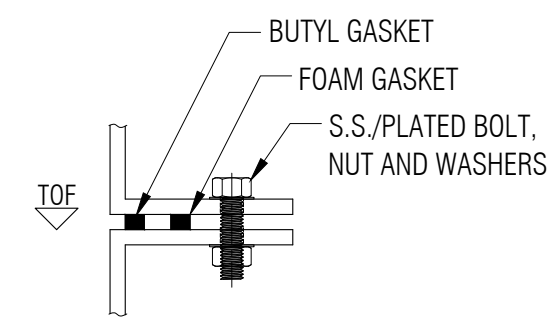
ELEVATION A



ELEVATION B



SHELL RIB DETAIL 4
NTS



FLANGE TO FLANGE CONNECTION DETAIL 5
NTS

GENERAL NOTES:
 - CSA B66 CERTIFIED FOR SEWAGE.
 - TANK COMES FULLY ASSEMBLED FROM FACTORY.
 - TANK THICKNESS GRADUATES FROM 0.25" THK. AT THE TOP OF THE TANK TO 0.3125" AT THE BASE OF THE TANK.
 - DIMENSIONS SHOWN IN FEET INCHES FORMAT OTHERWISE NOTED.
 - 1/2" FABRICATION TOLERANCE. DOES NOT APPLY TO LAMINATE THICKNESS.

LEGEND:
 TOT - TOP OF TANK
 TOL - TOP OF LID
 TOF - TOP OF FLANGE
 BOT - BOTTOM OF TANK
 I/S - INSIDE
 O.A.H. - OVERALL HEIGHT
 I/S - INSIDE
 O/S - OUTSIDE
 Ø - DIAMETER
 ° - DEGREE/S
 TYP - TYPICAL
 CL - CENTER LINE
 NTS - NOT TO SCALE

ITEM#	QTY	PART LIST/DESCRIPTION	APPROX. WEIGHT:	771KG (1,700LBS.)	DRAWN:	ATF	CLIENT:	FRP/MOCOAT FIBERGLASS LTD.
A	1	24"Ø MANWAY FRP FLANGE COLLAR	OVERALL CAPACITY:	15,911L (3,500IG/4,200 USG)	CHECKED:		TITLE:	AGS3500-L SEWAGE STORAGE TANK
B	1	24"Ø FLAT LID W/ 22"Ø POLY SCREWOUT LID			DATE:	FEB. 08, 2024	FRP MOCOAT FIBERGLASS LTD.	
C	1	4"Ø PVC-DWV COUPLING - INLET			DESIGNED:		SIZE:	C
D	1	NAMEPLATE			APPROVED:	MPS	DRAWING NUMBER:	AGS3500-L
E					MFG:	DS	REVISION:	0
F					PM:	GA	SCALE:	1:25
G					SALES:	DG	EST#:	
							SO#:	
							PO#:	
							JOB#:	
							SHEET:	1/1