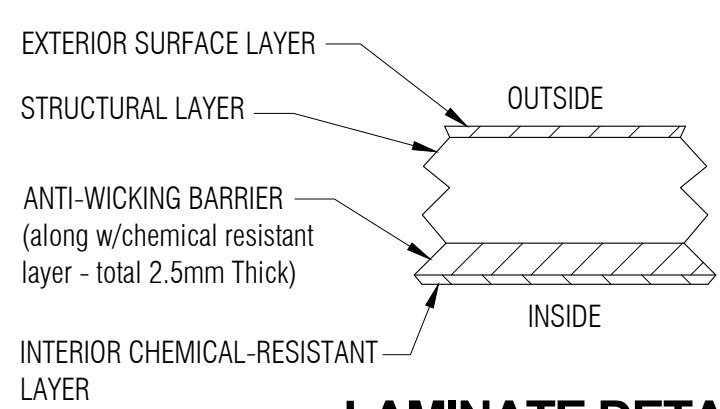
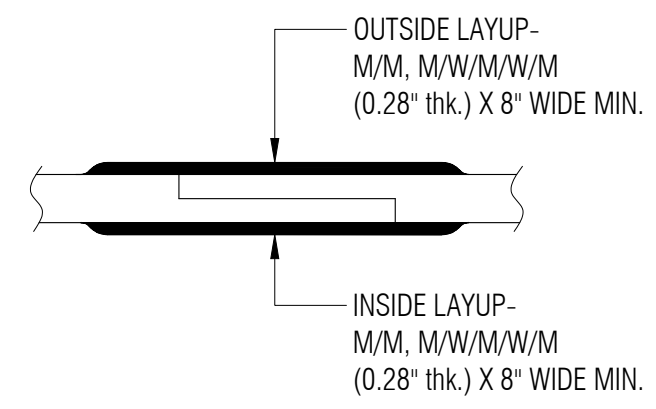


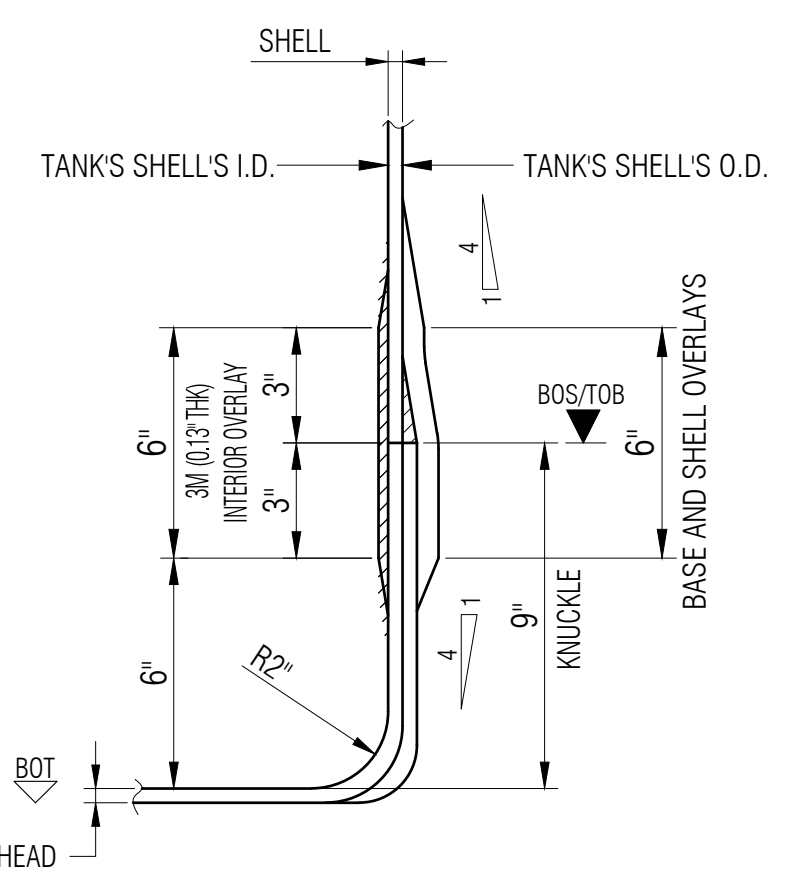
**PLAN**



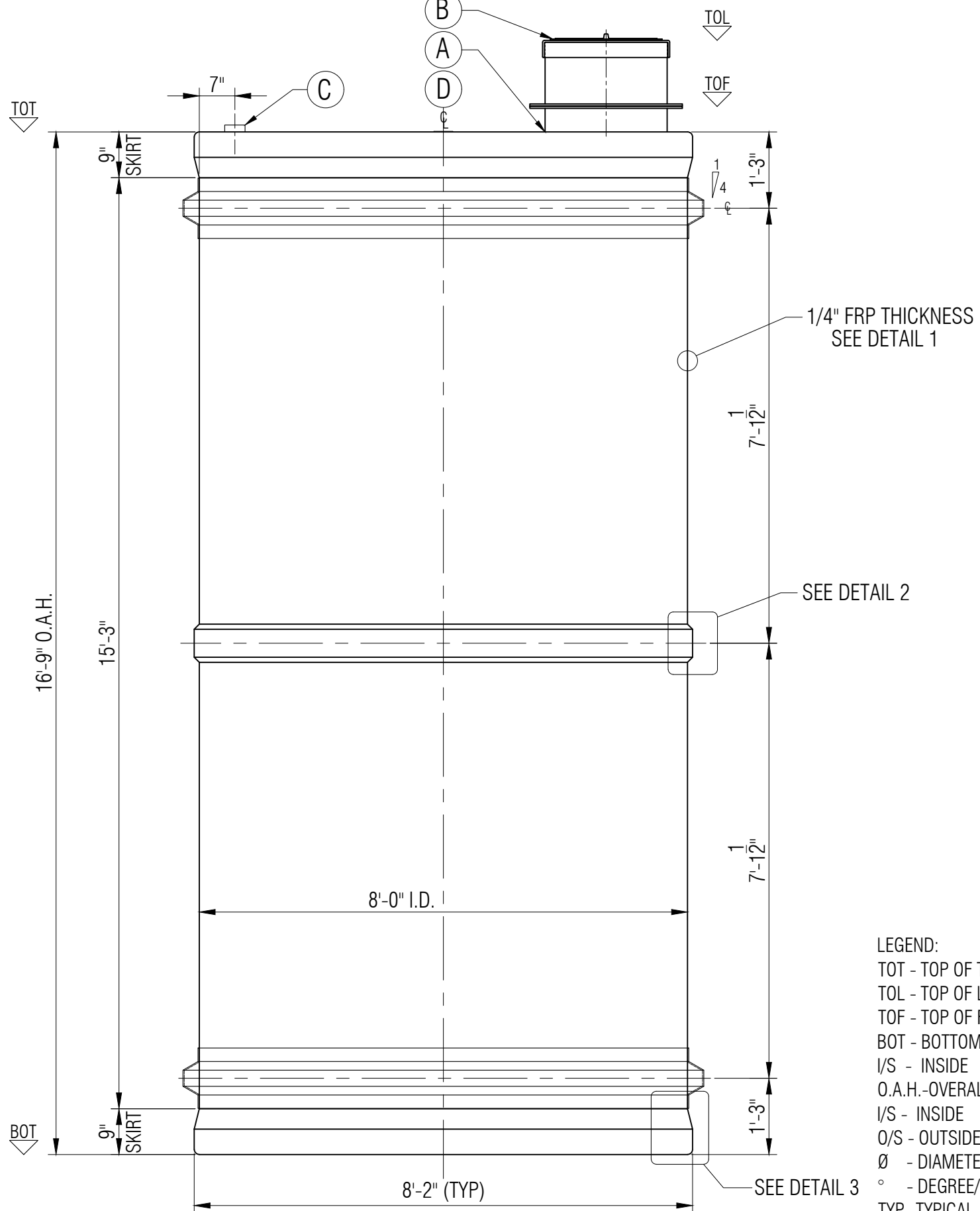
**LAMINATE DETAIL 1**  
NTS



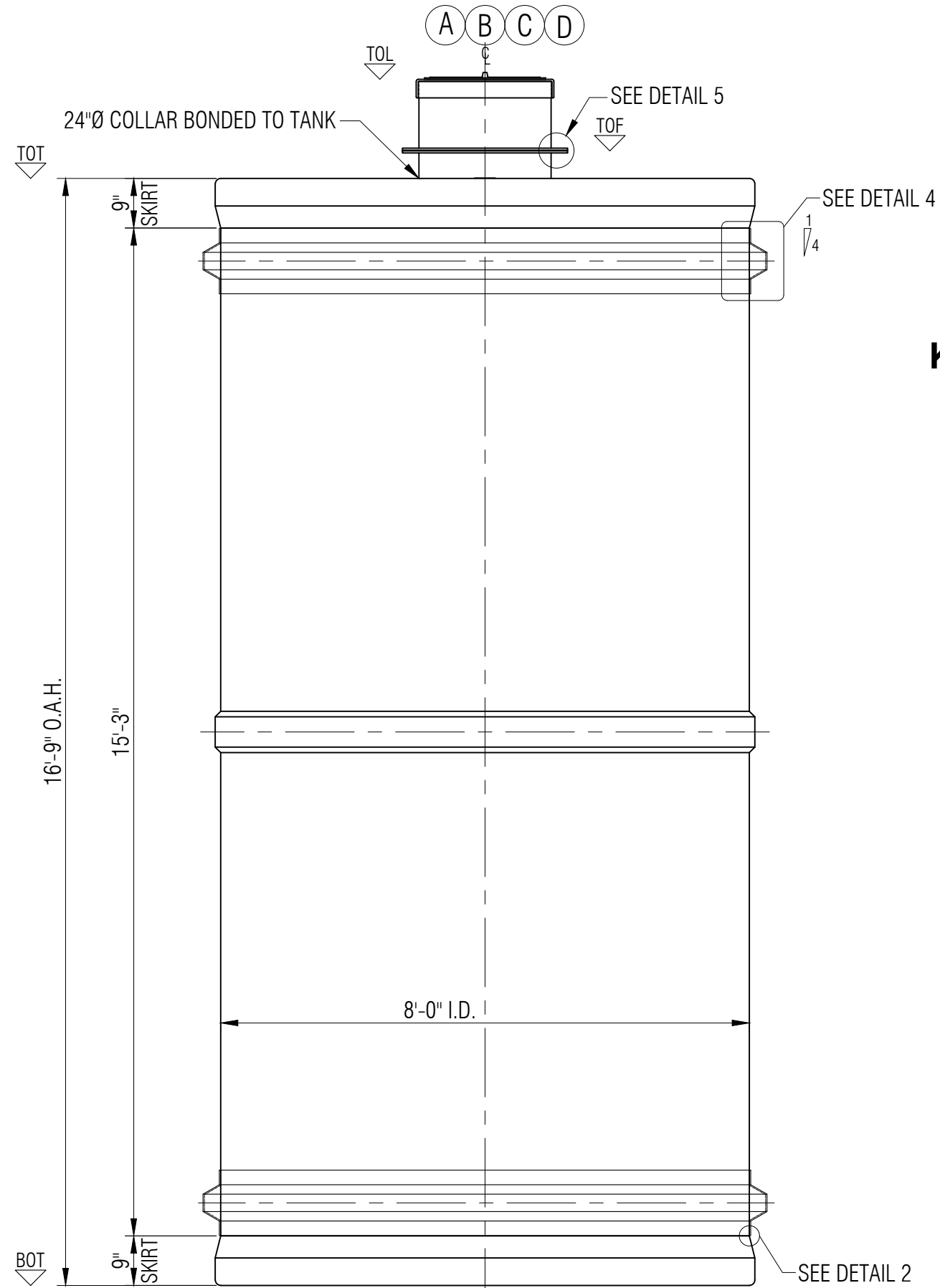
**TYPICAL BODY JOINT DETAIL 2**  
NTS



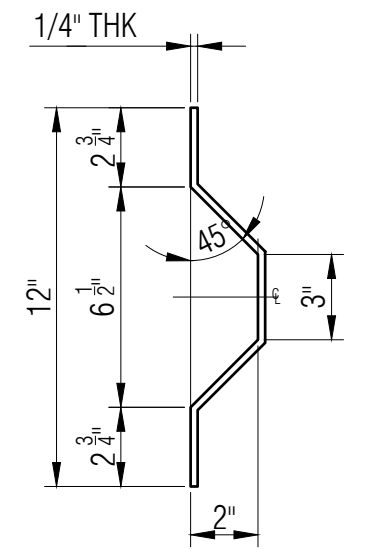
**KNUCKLE/BASE/TOP/SHELL DETAIL 3**  
NTS



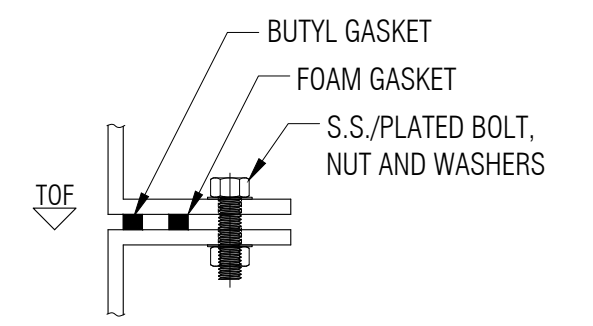
**ELEVATION A**



**ELEVATION B**



**SHELL RIB DETAIL 4**  
NTS



**FLANGE TO FLANGE CONNECTION DETAIL 5**  
NTS

**LEGEND:**  
 TOT - TOP OF TANK  
 TOL - TOP OF LID  
 TOF - TOP OF FLANGE  
 BOT - BOTTOM OF TANK  
 I/S - INSIDE  
 O.A.H. - OVERALL HEIGHT  
 I/S - INSIDE  
 O/S - OUTSIDE  
 Ø - DIAMETER  
 ° - DEGREE/S  
 TYP - TYPICAL  
 CL - CENTER LINE  
 NTS - NOT TO SCALE

ITEM#	QTY	PART LIST/DESCRIPTION	APPROX. WEIGHT:	998KG (2,200LBS.)	DRAWN:	ATF	CLIENT:	FRP/MOCOAT FIBERGLASS LTD.
A	1	24"Ø MANWAY FRP FLANGE COLLAR	OVERALL CAPACITY:	22,730L (5,000IG/6,000 USG)	CHECKED:		TITLE:	<b>AGS5000-L SEWAGE STORAGE TANK</b>
B	1	24"Ø FLAT LID W/ 22"Ø POLY SCREWOUT LID			DATE:	JAN. 10, 2024	DESIGNED:	<b>FRP MOCOAT FIBERGLASS LTD.</b>
C	1	4"Ø PVC-DWV COUPLING - INLET			APPROVED:	MPS	SIZE:	C
D	1	NAMEPLATE			MFG:	DS	DRAWING NUMBER:	AGS5000-L
E					PM:	GA	SCALE:	1:25
F					SALES:	DG	EST#:	
G							SO#:	
							PO#:	
							JOB#:	
							REVISION:	0
							SHEET:	1/1