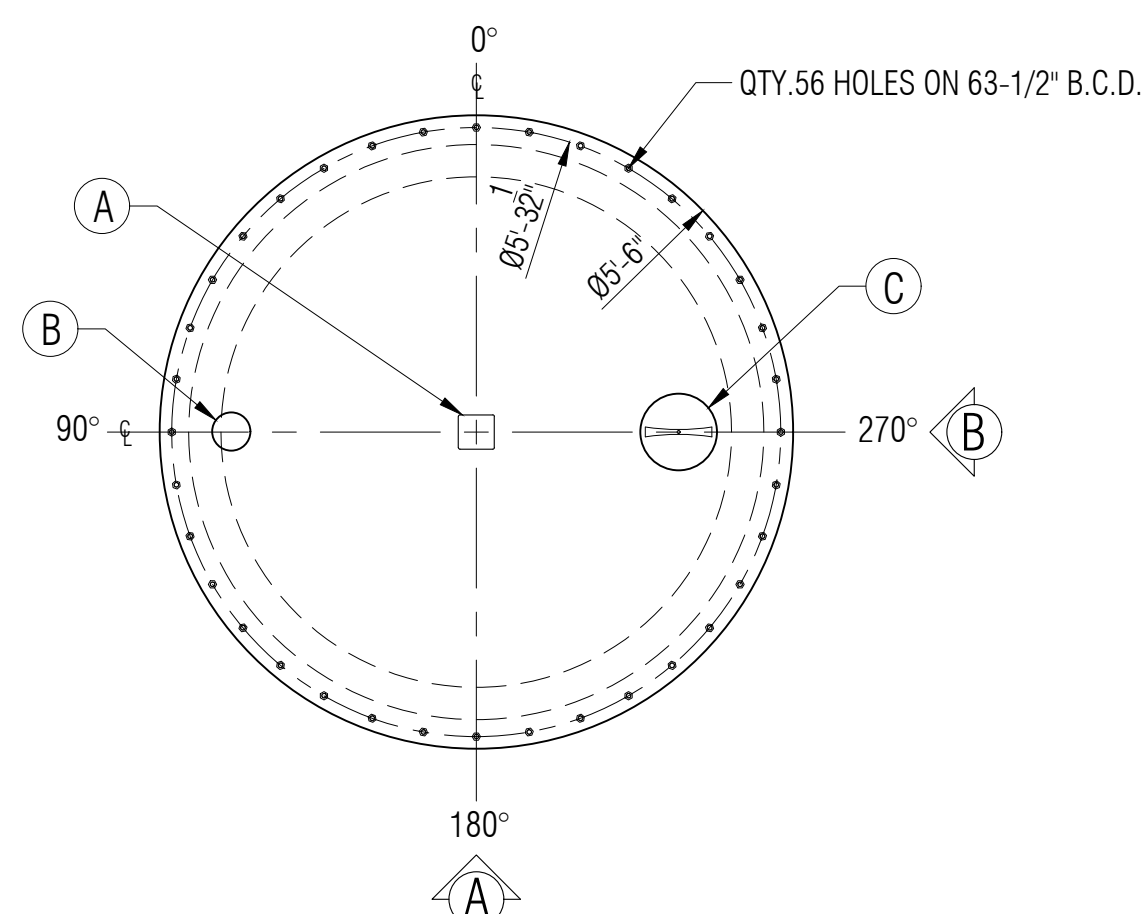
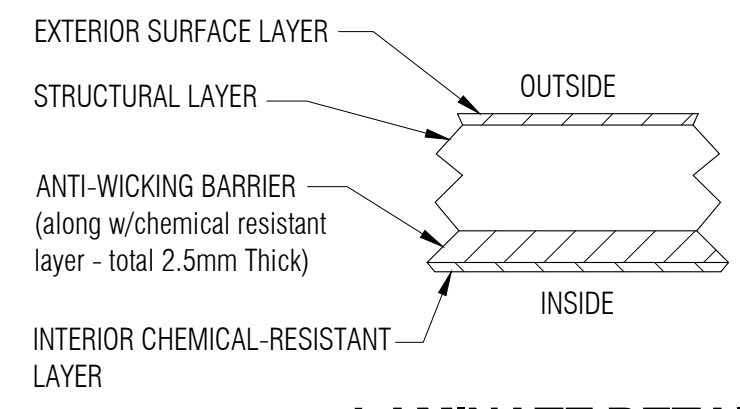


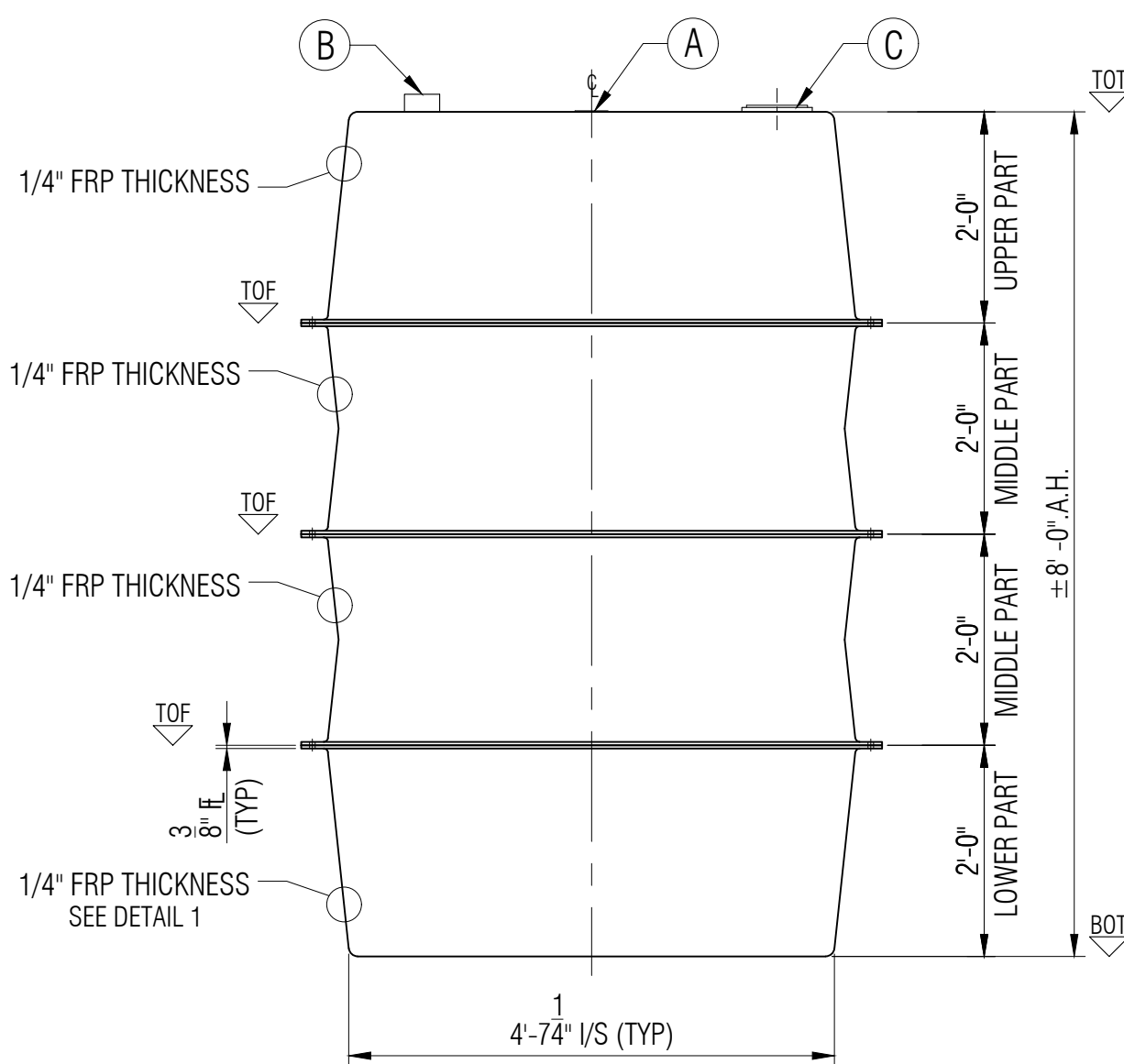
1 2 3 4 5 6



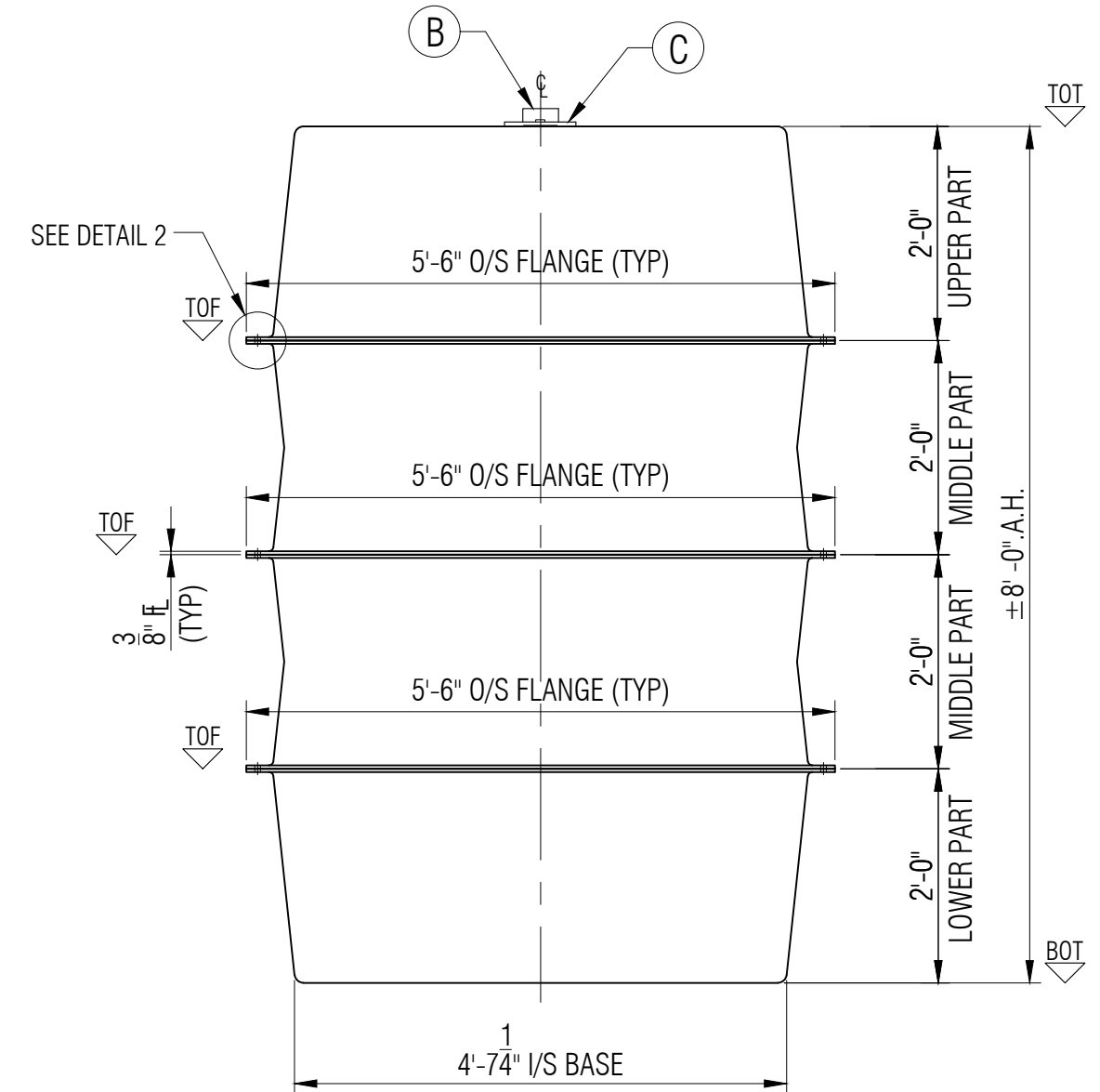
**PLAN**



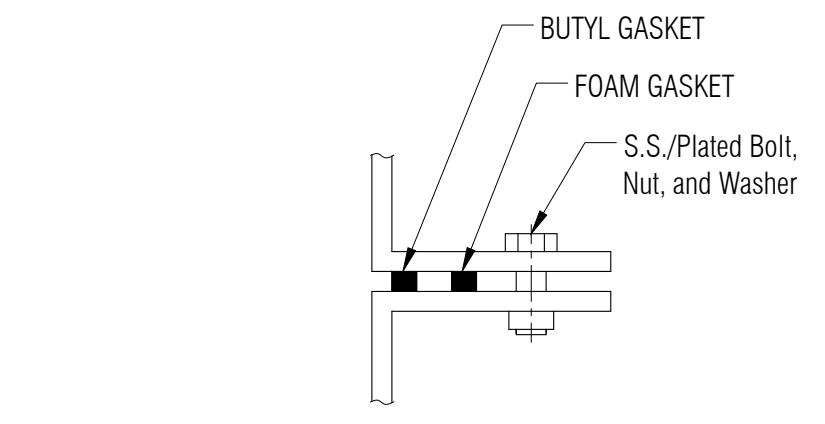
**LAMINATE DETAIL 1**  
NTS



**ELEVATION A**



**ELEVATION B**



**FLANGE TO FLANGE CONNECTION DETAIL 2**  
NTS

LEGEND:  
 TOL - TOP OF LID  
 TOF - TOP OF FLANGE  
 BCD - BOLT CENETR DIAMETER  
 BOT - BOTTOM OF TANK  
 I/S - INSIDE  
 O.A.H.-OVERALL HEIGHT  
 O.A.L.-OVERALL LENGTH  
 I/S - INSIDE  
 O/S - OUTSIDE  
 Ø - DIAMETER  
 ° - DEGREE/S  
 TYP- TYPICAL  
 CL - CENTER LINE  
 NTS - NOT TO SCALE

GENERAL NOTES:  
 - CSA B66 CERTIFIED FOR SEWAGE.  
 - TANK COMES UNASSEMBLED FROM FACTORY.  
 - DIMENSIONS SHOWN IN FEET INCHES FORMAT OTHERWISE NOTED.  
 - 1/2" FABRICATION TOLERANCE. DOES NOT APPLY TO LAMINATE THICKNESS.

ITEM#	QTY	PART LIST/DESCRIPTION	APPROX. WEIGHT:	186KG (410LBS.)	DRAWN:	ATF	CLIENT:	FRP/MOCOAT FIBERGLASS LTD.
A	1	NAMEPLATE	OVERALL CAPACITY:	4,540 L (1,000 IG/1,200 USG)	CHECKED:		TITLE:	<b>AGS1000-RD SEWAGE HOLDING TANK</b>
B	1	4"Ø PVC-DWV COUPLING - INLET			DATE:	NOV. 30, 2023	<b>FRP MOCOAT FIBERGLASS LTD.</b>	
C	1	8"Ø NON-VENTED POLY LID			DESIGNED:		SIZE:	C
D					APPROVED:	MPS	DRAWING NUMBER:	AGS1000-RD
E					MFG:	DS	EST#:	
F					PM:	GA	SO#:	
G					SALES:	DG	PO#:	
							SCALE:	1:20
							REVISION:	0
							SHEET:	1/1

1 2 3 4 5 6