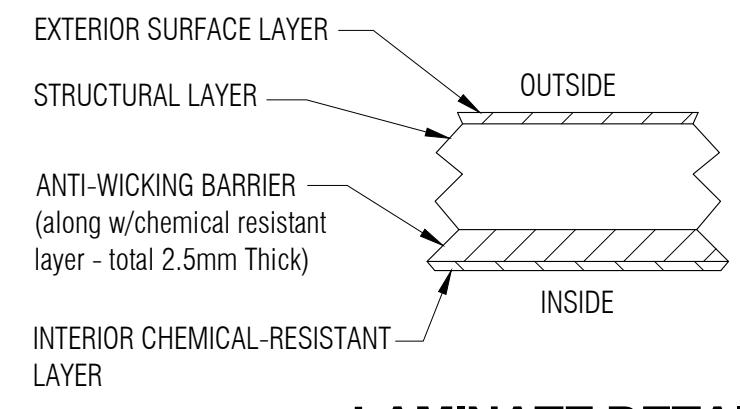
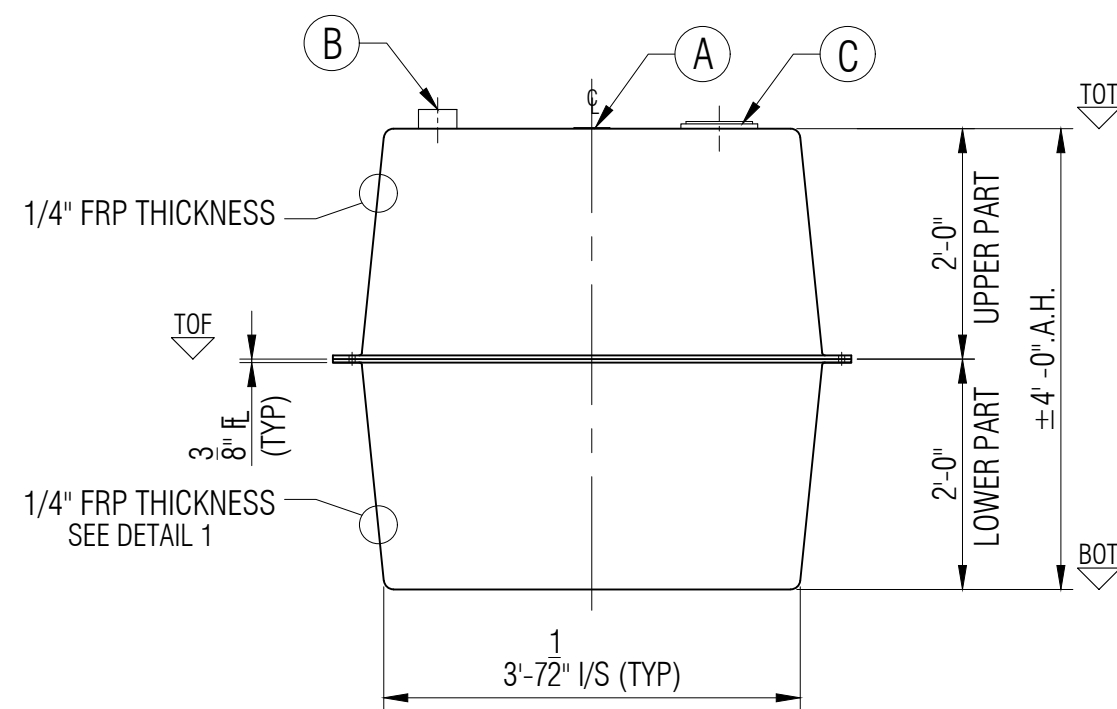


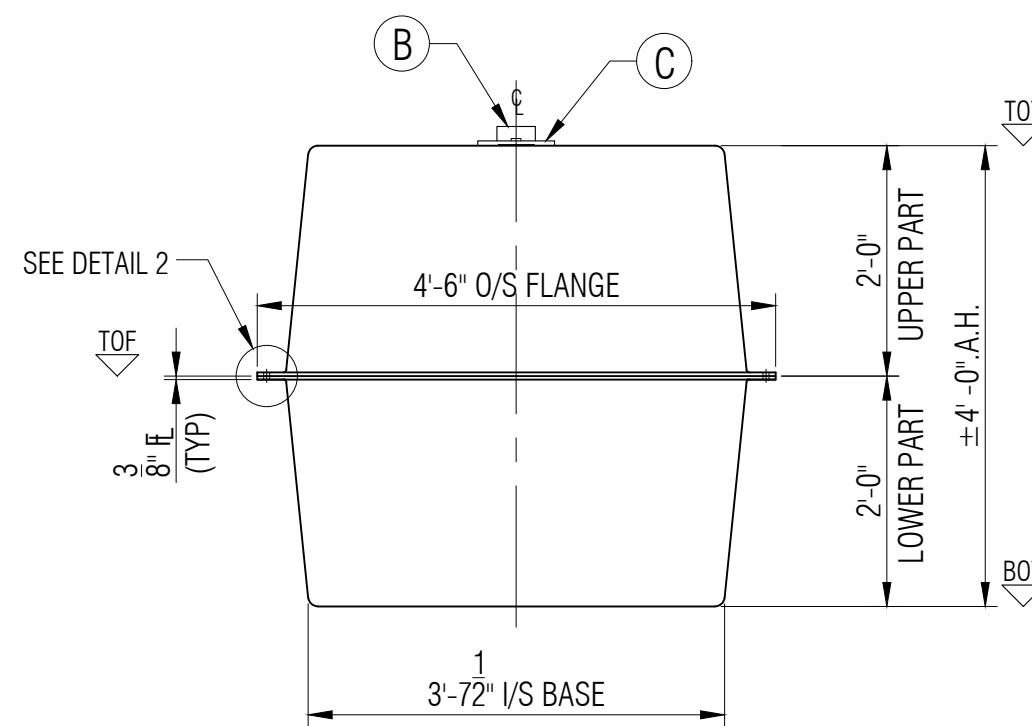
PLAN



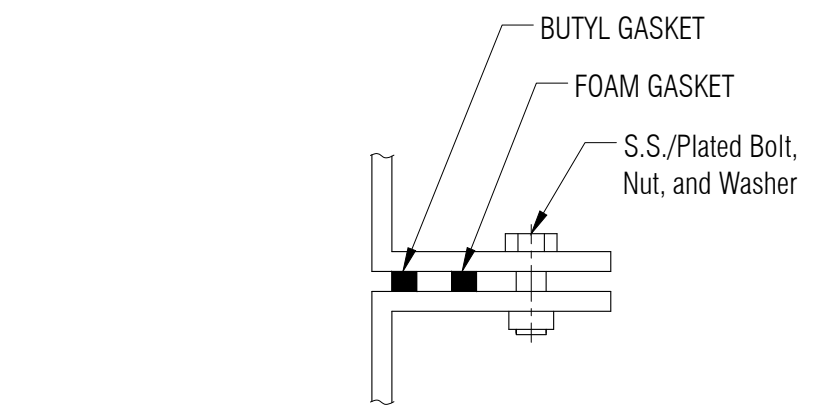
LAMINATE DETAIL 1
NTS



ELEVATION A



ELEVATION B



FLANGE TO FLANGE CONNECTION DETAIL 2
NTS

LEGEND:
 TOT - TOP OF TANK
 TOF - TOP OF FLANGE
 BCD - BOLT CENETR DIAMETER
 BOT - BOTTOM OF TANK
 I/S - INSIDE
 O.A.H.-OVERALL HEIGHT
 O.A.L.-OVERALL LENGTH
 I/S - INSIDE
 O/S - OUTSIDE
 Ø - DIAMETER
 ° - DEGREE/S
 TYP- TYPICAL
 CL - CENTER LINE
 NTS - NOT TO SCALE

GENERAL NOTES:
 - CSA B66 CERTIFIED SEWAGE HOLDING TANK.
 - TANK COMES UNASSEMBLED FROM FACTORY.
 - DIMENSIONS SHOWN IN FEET INCHES FORMAT OTHERWISE NOTED.
 - 1/2" FABRICATION TOLERANCE. DOES NOT APPLY TO LAMINATE THICKNESS.

ITEM#	QTY	PART LIST/DESCRIPTION	APPROX. WEIGHT:	86KG (190LBS.)	DRAWN:	ATF	CLIENT:	FRP/MOCOAT FIBERGLASS LTD.		
A	1	NAMEPLATE	OVERALL CAPACITY:	1,364 L (300 IG/360 USG)	CHECKED:		TITLE:	AGS300-RD SEWAGE HOLDING TANK		
B	1	4"Ø PVC-DWV COUPLING - INLET			DATE:	JAN. 02, 2024		FRP MOCOAT FIBERGLASS LTD.		
C	1	8"Ø NON-VENTED POLY LID			DESIGNED:					
D					APPROVED:	MPS	SIZE:	REVISION		
E					MFG:	DS	C	0		
F					PM:	GA	DRAWING NUMBER:			
G					SALES:	DG	AGS300-RD			
							SCALE:	EST#:	SO#:	SHEET
							1:20			1/1
								PO#:	JOB#:	