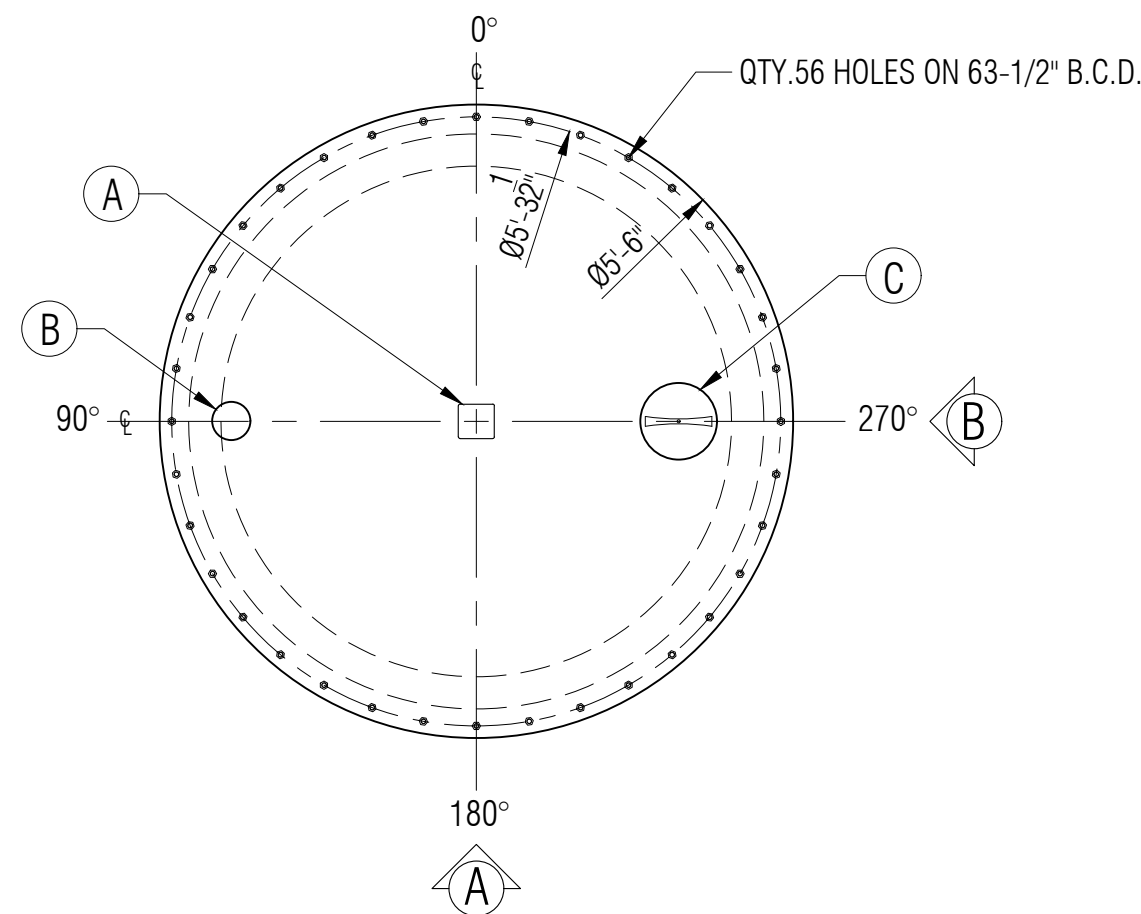
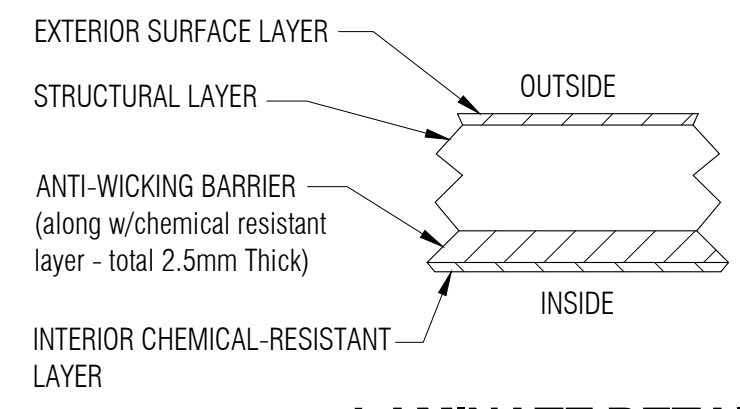


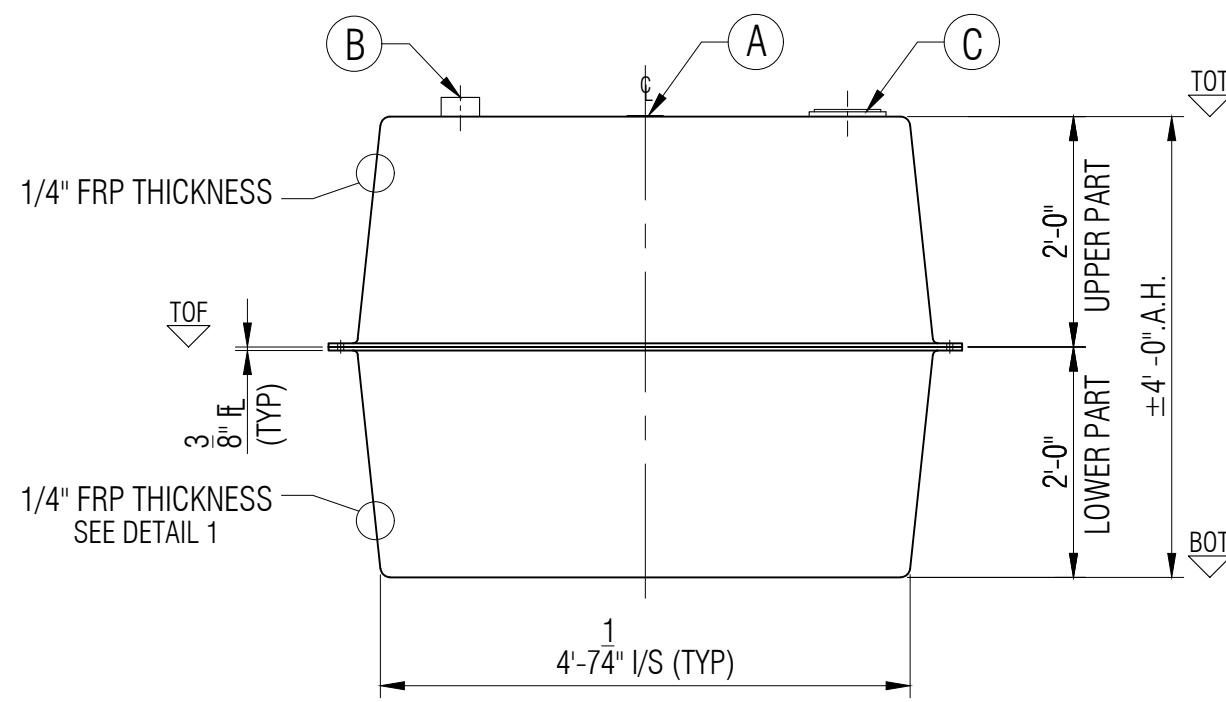
1 2 3 4 5 6



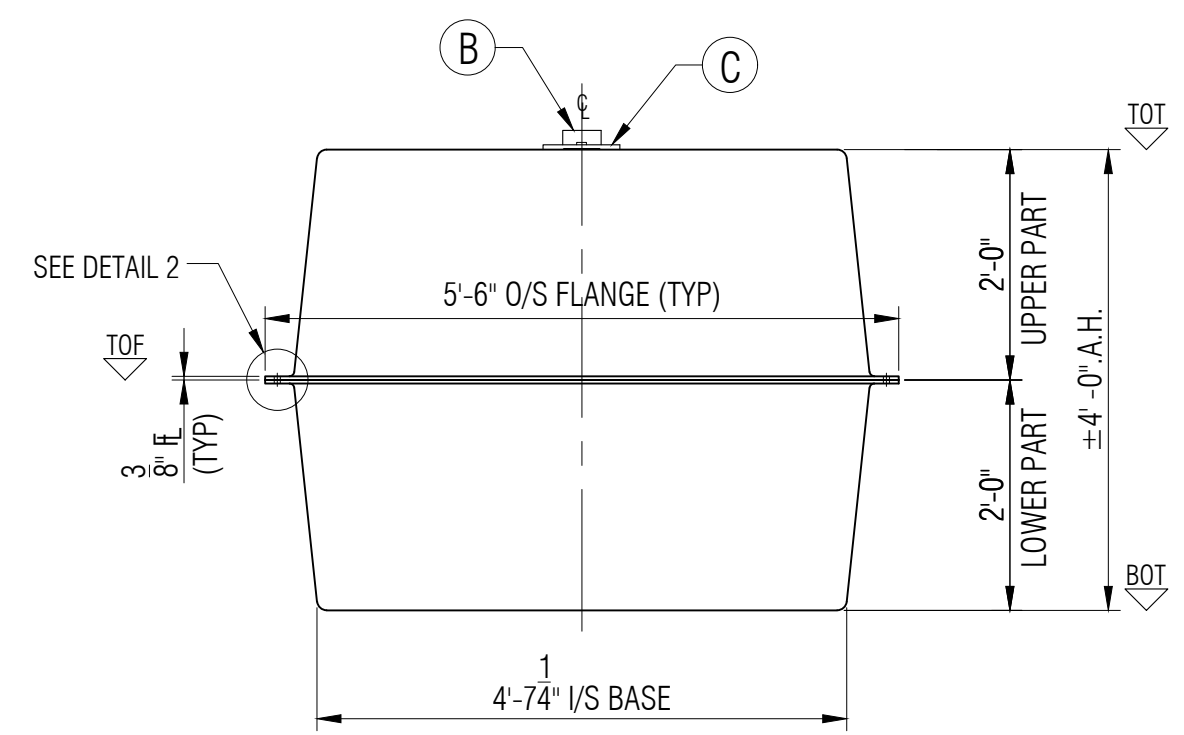
PLAN



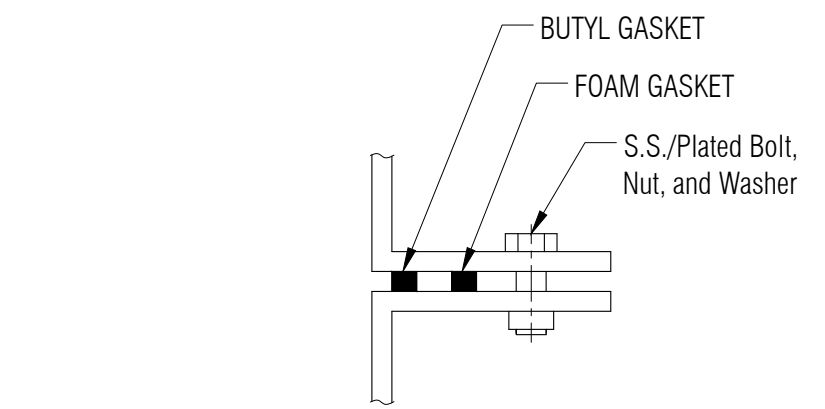
LAMINATE DETAIL 1
NTS



ELEVATION A



ELEVATION B



FLANGE TO FLANGE CONNECTION DETAIL 2
NTS

LEGEND:
 TOL - TOP OF LID
 TOF - TOP OF FLANGE
 BCD - BOLT CENETR DIAMETER
 BOT - BOTTOM OF TANK
 I/S - INSIDE
 O.A.H.-OVERALL HEIGHT
 O.A.L.-OVERALL LENGTH
 I/S - INSIDE
 O/S - OUTSIDE
 Ø - DIAMETER
 ° - DEGREE/S
 TYP- TYPICAL
 Ⓞ - CENTER LINE
 NTS - NOT TO SCALE

GENERAL NOTES:
 - CSA B66 CERTIFIED FOR SEWAGE.
 - TANK COMES UNASSEMBLED FROM FACTORY.
 - DIMENSIONS SHOWN IN FEET INCHES FORMAT OTHERWISE NOTED.
 - 1/2" FABRICATION TOLERANCE. DOES NOT APPLY TO LAMINATE THICKNESS.

| ITEM# | QTY | PART LIST/DESCRIPTION | APPROX. WEIGHT: | 86KG (190LBS.) | DRAWN: | ATF | CLIENT: | FRP/MOCOAT FIBERGLASS LTD. |
|-------|-----|------------------------------|-------------------|--------------------------|-----------|---------------|-----------------|--------------------------------------|
| A | 1 | NAMEPLATE | OVERALL CAPACITY: | 2,273 L (500 IG/600 USG) | CHECKED: | | TITLE: | AGS500-RD SEWAGE HOLDING TANK |
| B | 1 | 4"Ø PVC-DWV COUPLING - INLET | | | DATE: | NOV. 29, 2023 | | FRP MOCOAT |
| C | 1 | 8"Ø NON-VENTED POLY LID | | | DESIGNED: | | | FIBERGLASS LTD. |
| D | | | | | APPROVED: | MPS | SIZE: | C |
| E | | | | | MFG: | DS | DRAWING NUMBER: | AGS500-RD |
| F | | | | | PM: | GA | EST#: | |
| G | | | | | SALES: | DG | PO#: | |
| | | | | | | | SCALE: | 1:20 |
| | | | | | | | REVISION: | 0 |
| | | | | | | | SHEET: | 1/1 |

1 2 3 4 5 6