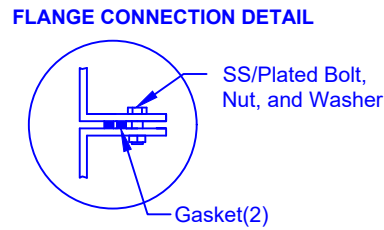
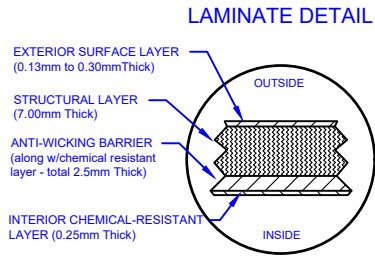
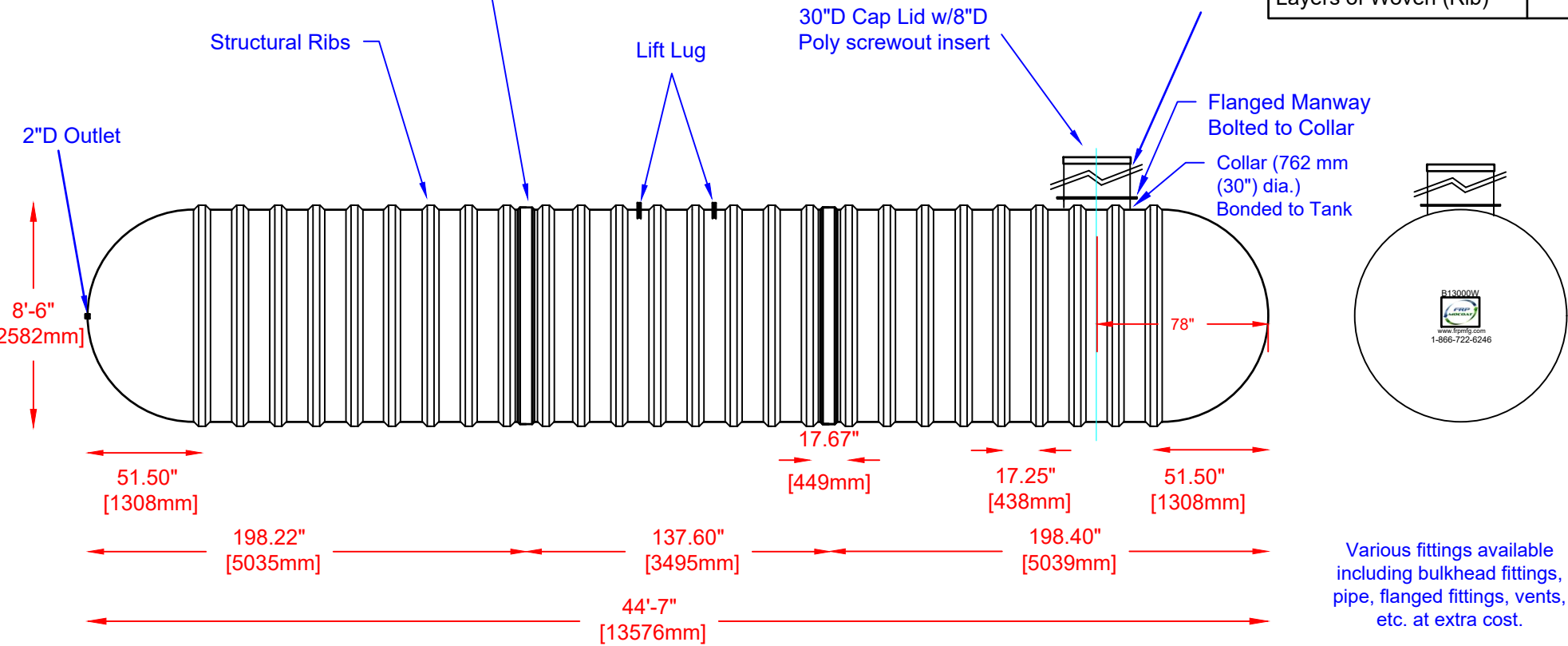


Specifications

| | |
|------------------------|--------|
| Cylinder Thickness | 0.500" |
| End Cap Thickness | 0.645" |
| Inlet Height (C.L.) | N/A |
| Outlet Height (C.L.) | 48" |
| Inlet Diameter | N/A |
| Outlet Diameter | 2" |
| Rib Dimension (C to C) | 17.25" |
| Rib Overlay Thickness | 0.250" |
| Layers of Woven (Rib) | 1 |



Optional Manway:
762 mm (30") dia. X
305, 762, 1524 or 2134 mm
(12, 30, 60 or 84") height



Various fittings available including bulkhead fittings, pipe, flanged fittings, vents, etc. at extra cost.

Website: www.frpmfg.com
Toll Free: 1-866-722-6246

| B13000W FIBREGLASS WATER CISTERN | |
|----------------------------------|---|
| Overall Length: | Approx. 13,576mm (44'7") |
| Overall Weight: | Approx. 2,880 kg (6,350 lbs) |
| Overall Capacity: | Approx. 59,644L (13,120 Imp Gal, 15,744 US Gal) |

| | |
|------------------------|--------|
| DATE: 07-07-2022 | REV: 4 |
| BY: MPS | |
| BURIAL DEPTH: UP TO 7' | |
| APPROVAL: | |

Drinking Water
NSF/ANSI 61