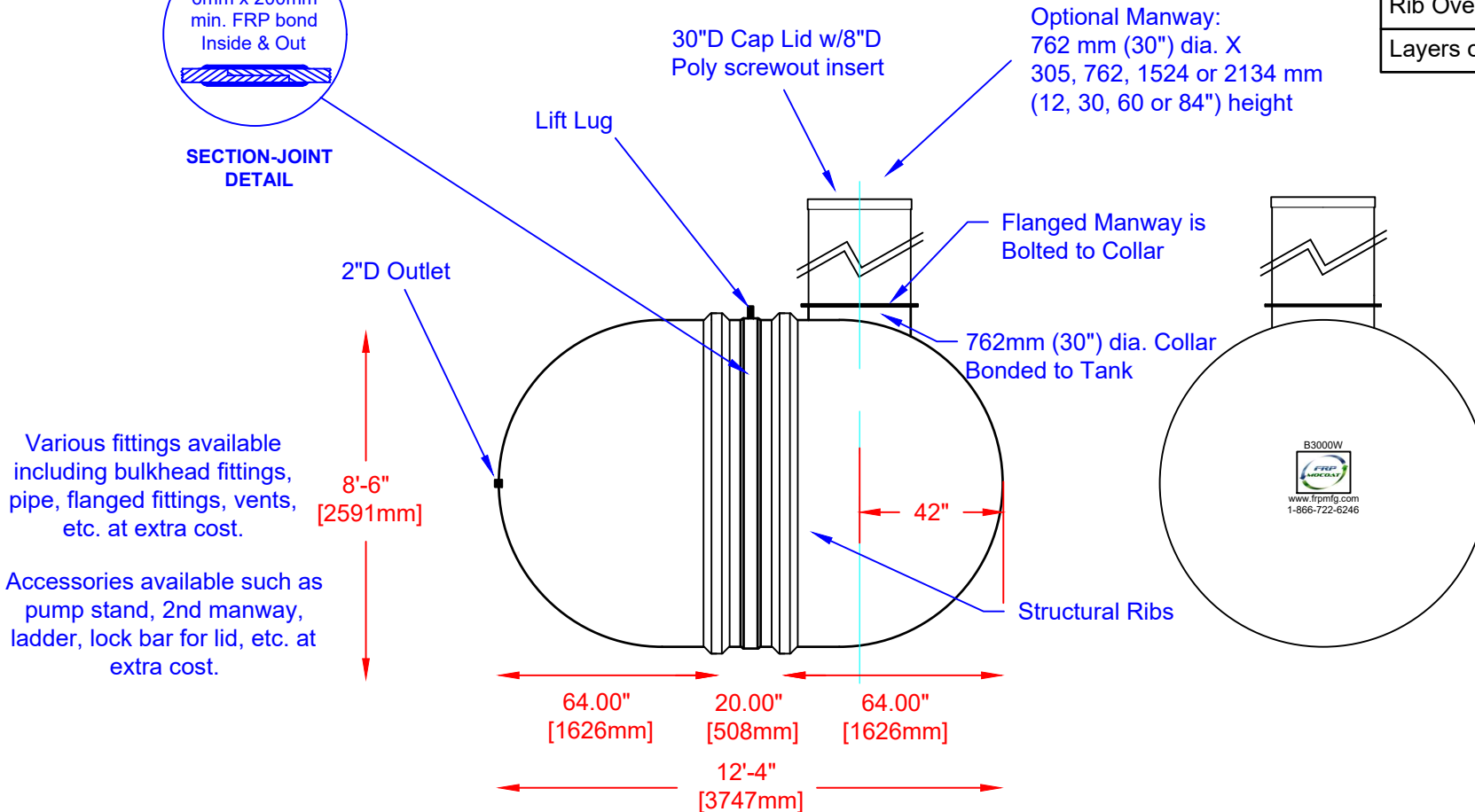
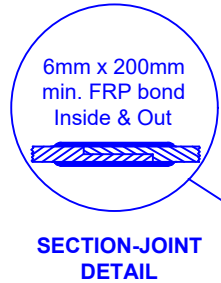
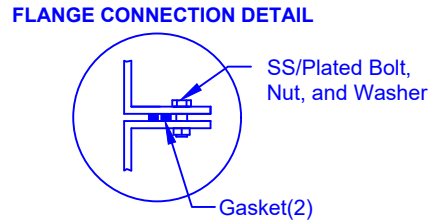
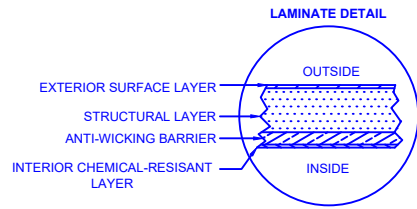


# Specifications

Total Cylinder Thickness	0.375"
Total End Cap Thickness	0.475"
Inlet Height (C.L.)	N/A
Outlet Height (C.L.)	48"
Inlet Diameter	N/A
Outlet Diameter	2"
Rib Dimension (C to C)	17.25"
Rib Overlay Thickness	0.250"
Layers of Woven (Rib)	1



Various fittings available including bulkhead fittings, pipe, flanged fittings, vents, etc. at extra cost.

Accessories available such as pump stand, 2nd manway, ladder, lock bar for lid, etc. at extra cost.



Website: [www.frpmfg.com](http://www.frpmfg.com)  
Toll Free: 1-866-722-6246

B3000W FIBREGLASS WATER CISTERN		DATE: 07-07-2022	DWG SCALE:
Overall Length:	Approx. 3,759mm (12' 4")	BY: MPS	REV: 4
Overall Weight:	Approx. 612 kg (1,350 lbs)	BURIAL DEPTH: UP TO 7'	
Overall Capacity:	Approx. 13,638L (3,000 Imp Gal, 3,600 US Gal)	APPROVAL:	



Drinking Water  
NSF/ANSI 61