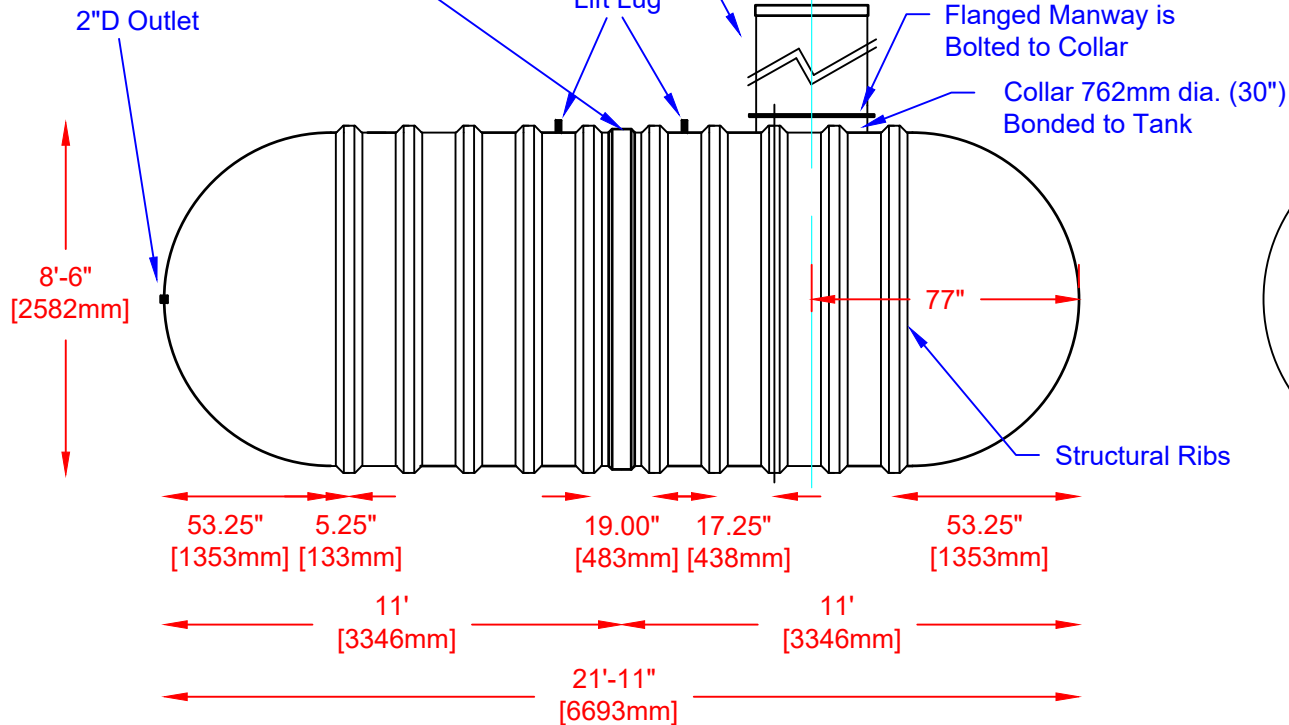


**SECTION-JOINT DETAIL**



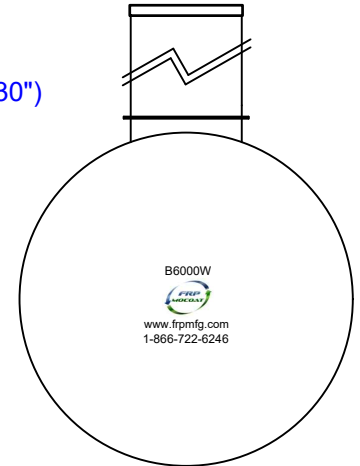
Optional Manway:  
762 mm (30") dia. X  
305, 762, 1524 or 2134 mm  
(12, 30, 60 or 84") height  
30"D Cap Lid w/8"D  
Poly screwout insert



Various fittings available including bulkhead fittings, pipe, flanged fittings, vents, etc. at extra cost.

Accessories available such as pump stand, 2nd manway, ladder, lock bar for lid, etc. at extra cost.

Specifications	
Total Cylinder Thickness	0.375"
Total End Cap Thickness	0.475"
Inlet Height (C.L.)	N/A
Outlet Height (C.L.)	48"
Inlet Diameter	N/A
Outlet Diameter	2"
Rib Dimension (C to C)	17.25"
Rib Overlay Thickness	0.250"
Layers of Woven (Rib)	1



**B6000W FIBREGLASS WATER CISTERNS**

DATE: 07-07-2022

DWG SCALE:

Overall Length: Approx. 6,693mm (21'11")

BY: MPS

REV: 4

Overall Weight: Approx. 1,111 kg (2,450 lbs)

BURIAL DEPTH: UP TO 7'

Overall Capacity: Approx. 27,431L (6,034 Imp Gal, 7,240 US Gal)

APPROVAL:



Drinking Water  
NSF/ANSI 61