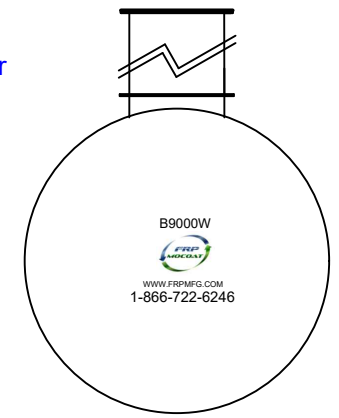
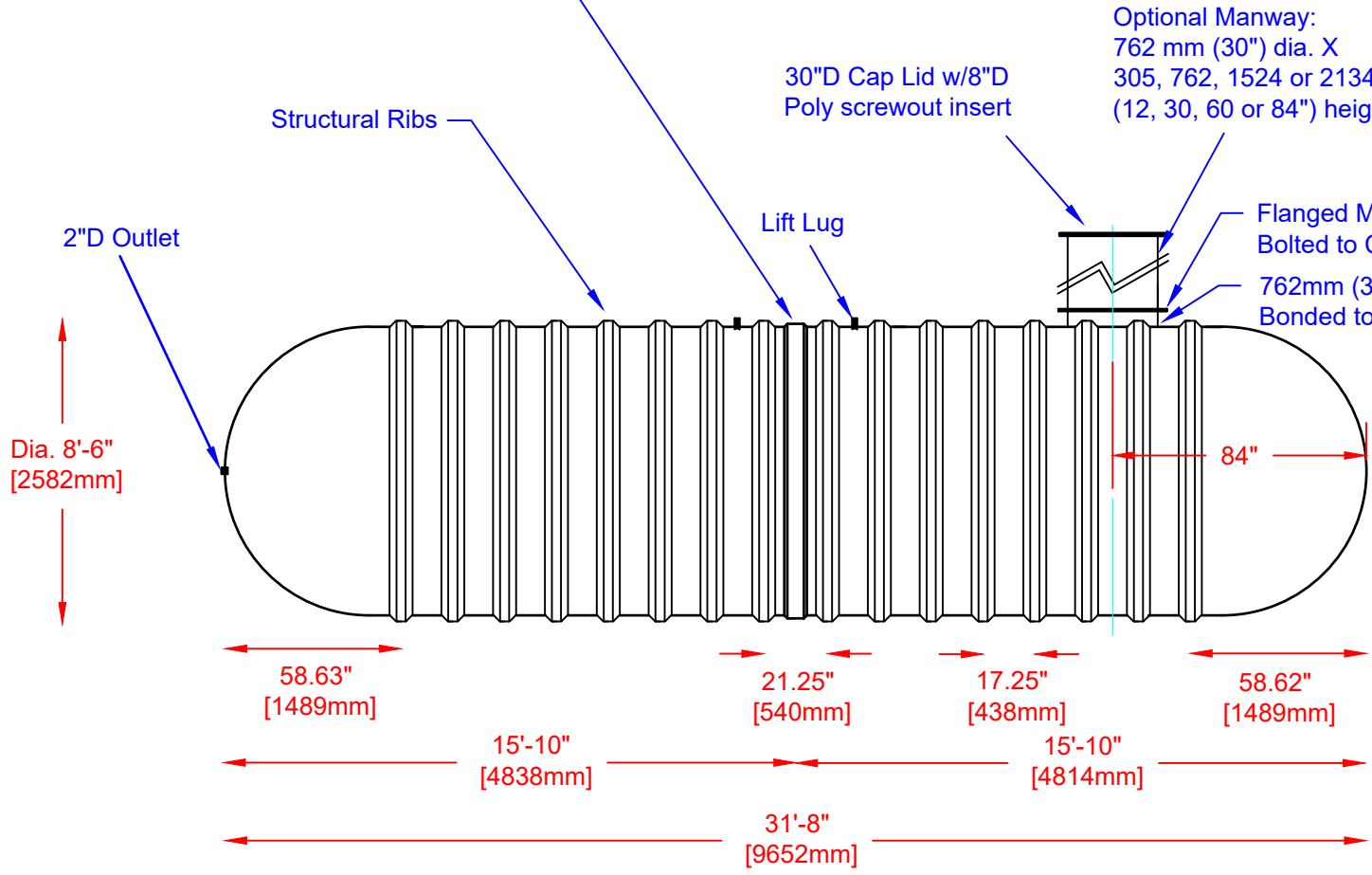


Specifications	
Total Cylinder Thickness	0.375"
Total End Cap Thickness	0.475"
Inlet Height (C.L.)	N/A
Outlet Height (C.L.)	48"
Inlet Diameter	N/A
Outlet Diameter	2"
Rib Dimension (C to C)	17.25"
Rib Overlay Thickness	0.250"
Layers of Woven (Rib)	1



Various fittings available including bulkhead fittings, pipe, flanged fittings, vents, etc. at extra cost.

<p>Website: www.frpmfg.com Toll Free: 1-866-722-6246</p>	B9000W FIBREGLASS WATER CISTERN		DATE: 07-07-2022	REV: 4
	Overall Length:	Approx. 9,652mm (31'8")	BY: MPS	
	Overall Weight:	Approx. 1,568 kg (3,450 lbs)	BURIAL DEPTH: UP TO 7'	
	Overall Capacity:	Approx. 41,264L (9,076 Imp Gal, 10,891 US Gal)	APPROVAL:	

