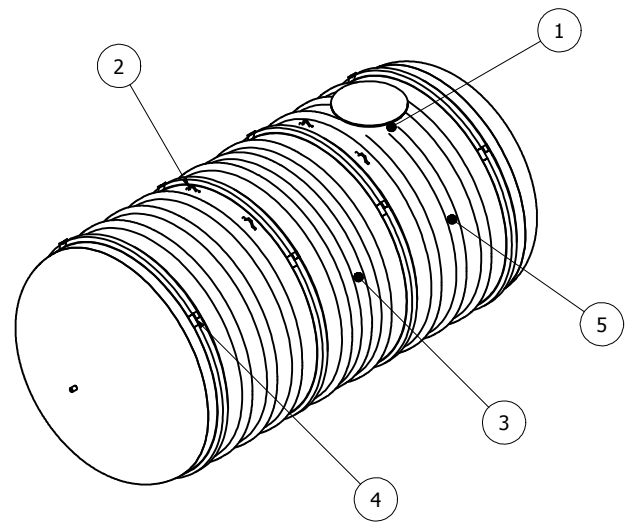


6mm x 200mm min. FRP bond on Outside

SECTIONAL JOINT DETAIL A
SCALE 1/25

Parts List			
ITEM	QTY	PART NUMBER	DESCRIPTION
1	1	C-COLLAR-30IN	30"D COLLAR
2	4	LIFT-LUG-8-10	LIFT LUG
3	1	SEAM-10FT	SEAM
4	4	C-RIB-GUIDE	STRUCTURAL RIB W/ ANCHOR GUIDE
5	8	C-RIB	STRUCTURAL RIB



OPTIONAL	PARTS
30"X12" EXTENSION	ANCHORS
30"X30" EXTENSION	FOAM INSULATION
30"X60" EXTENSION	LOCK BAR
30"X84" EXTENSION	OPTIONAL FITTING(S)
ALARM	PUMP STAND

DRAWN	MPS	7/19/2022
CHECKED		
QA		
MFG		
DCL		
APPROVED		
DCL		
WEIGHT	1,477 kg (3,250 lbs)	LENGTH
OVERALL CAPACITY	45,460L (10,000 IG, 12,000 USG)	22' 1"

TITLE
BX1.0000W UNDERGROUND FIBREGLASS WATER CISTERN



SIZE	C	DWG NO	BX1.0000W	REV	1
SCALE				SHEET 1 OF 1	