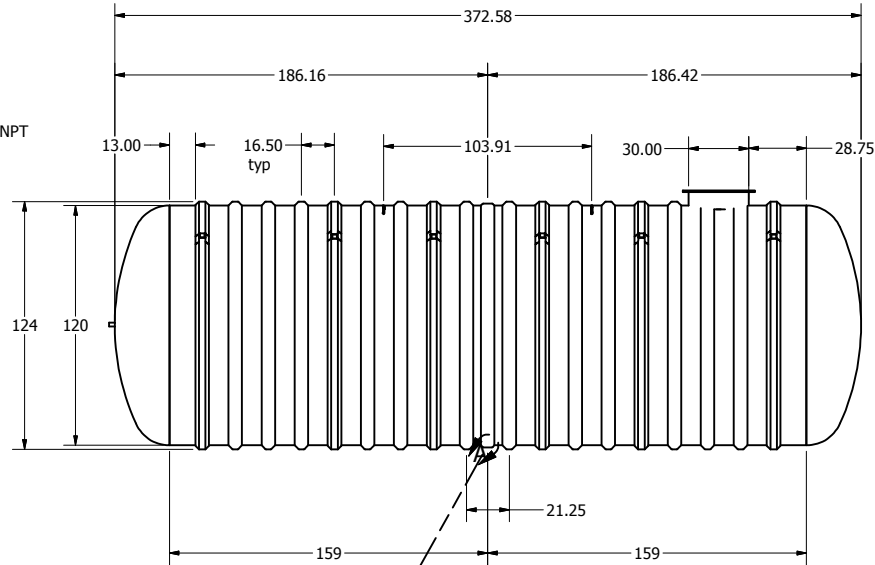
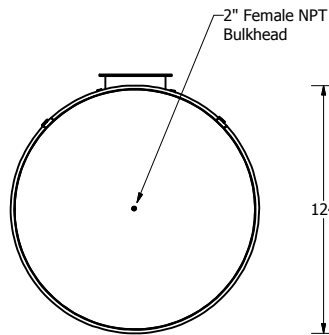
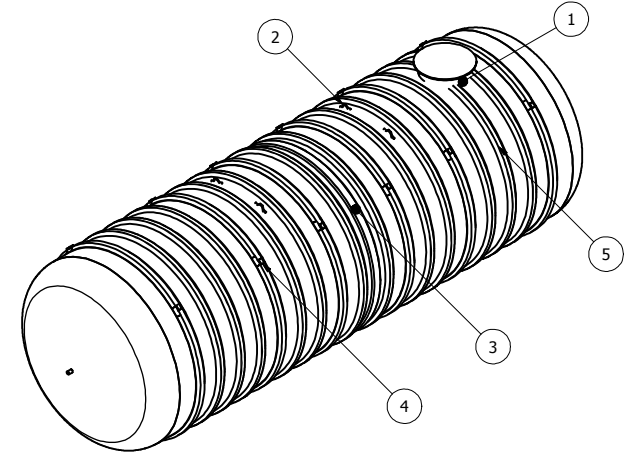
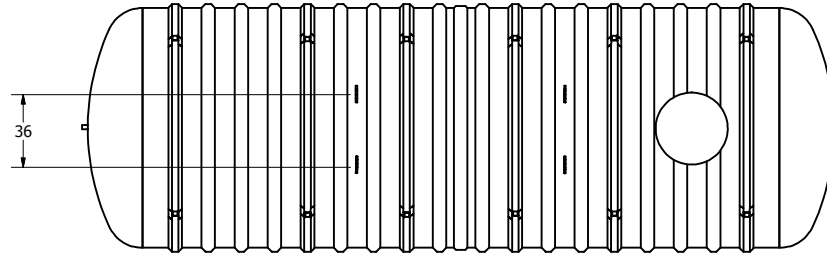


| Parts List | | | |
|------------|-----|---------------|-----------------------------------|
| ITEM | QTY | PART NUMBER | DESCRIPTION |
| 1 | 1 | C-COLLAR-30IN | 30"D COLLAR |
| 2 | 4 | LIFT-LUG-8-10 | LIFT LUG |
| 3 | 1 | SEAM-10FT | SEAM |
| 4 | 6 | C-RIB-GUIDE | STURUCTURAL RIB WITH ANCHOR GUIDE |
| 5 | 12 | C-RIB | STRUCTURAL RIB |



6mm x 200mm min. FRP bond on Outside

SECTIONAL JOINT DETAIL A
SCALE 1/25

| DRAWN | | TITLE | |
|-------------|-----------|---|----------|
| MPS | 7/19/2022 | BX14000W UNDERGROUND FIBREGLASS WATER CISTERN | |
| CHECKED | | | |
| QA | | | |
| MFG | | | |
| DCL | | | |
| APPROVED | | | |
| DCL | | | |
| CAPACITY | LENGTH | SIZE | DWG NO |
| 63,644L | 31' 1" | C | BX14000W |
| (14,000 IG) | | SCALE | REV |
| | | | 1 |

| OPTIONAL | PARTS |
|-------------------|---------------------|
| 30"x12" EXTENSION | ANCHORS |
| 30"x30" EXTENSION | FOAM INSULATION |
| 30"x60" EXTENSION | LOCK BAR |
| 30"x84" EXTENSION | OPTIONAL FITTING(S) |
| ALARM | PUMP STAND |

