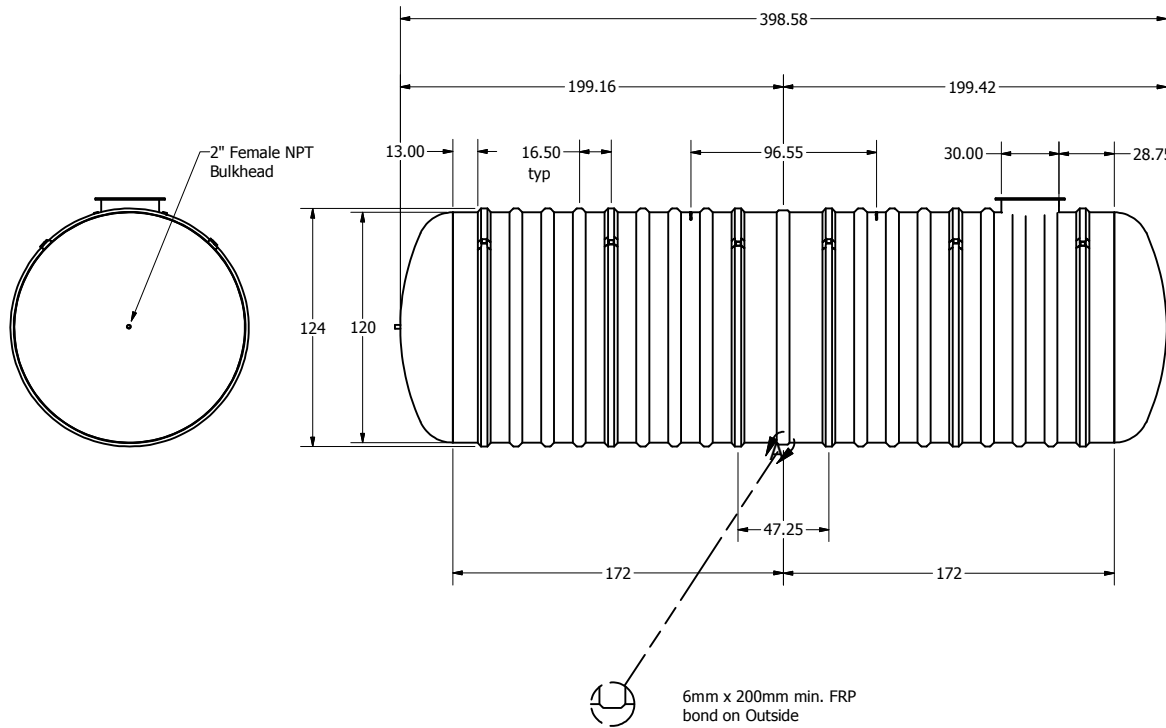
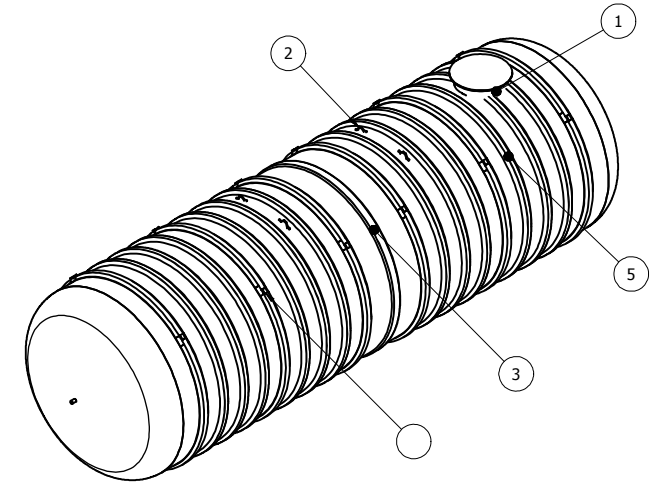
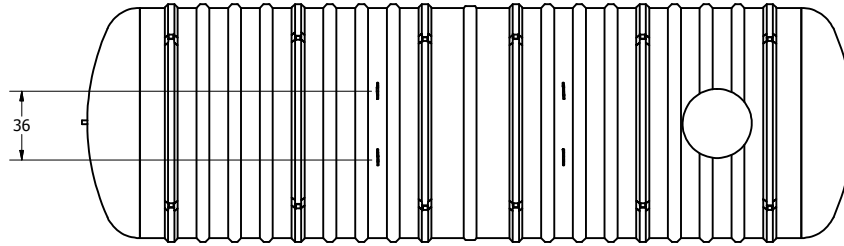


Parts List			
ITEM	QTY	PART NUMBER	DESCRIPTION
1	1	C-COLLAR-30IN	30"D COLLAR
2	4	LIFT-LUG-8-10	LIFT LUG
3	1	SEAM-10FT	SEAM
	6	C-RIB-GUIDE	STURUCTURAL RIB WITH ANCHOR GUIDE
5	12	C-RIB	STRUCTURAL RIB



SECTIONAL JOINT DETAIL A
SCALE 1 / 25

OPTIONAL	PARTS
30"X12" EXTENSION	ANCHORS
30"X30" EXTENSION	FOAM INSULATION
30"X60" EXTENSION	LOCK BAR
30"X84" EXTENSION	OPTIONAL FITTING(S)
ALARM	PUMP STAND

DRAWN MPS	7/19/2022	TITLE BX15000W UNDERGROUND FIBREGLASS WATER CISTERN						
CHECKED								
QA								
MFG DCL								
APPROVED								
DCL								
CAPACITY 68,190L (15,000 IG)	LENGTH 33' 3"	<table border="1"> <tr> <td>SIZE C</td> <td>DWG NO BX15000W</td> <td>REV 1</td> </tr> <tr> <td>SCALE</td> <td colspan="2">SHEET 1 OF 1</td> </tr> </table>	SIZE C	DWG NO BX15000W	REV 1	SCALE	SHEET 1 OF 1	
SIZE C	DWG NO BX15000W	REV 1						
SCALE	SHEET 1 OF 1							

