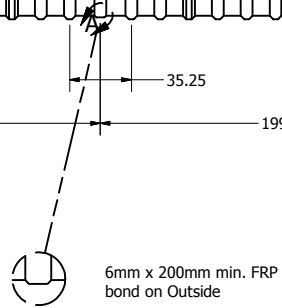
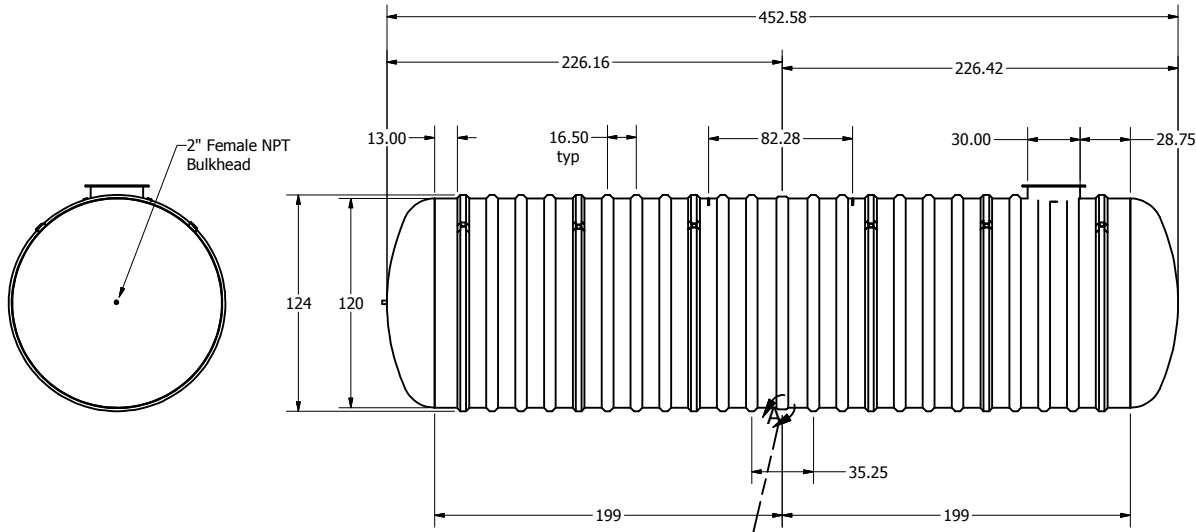
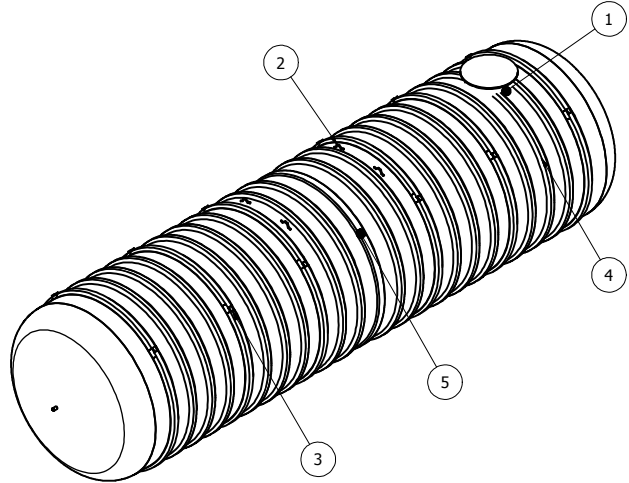
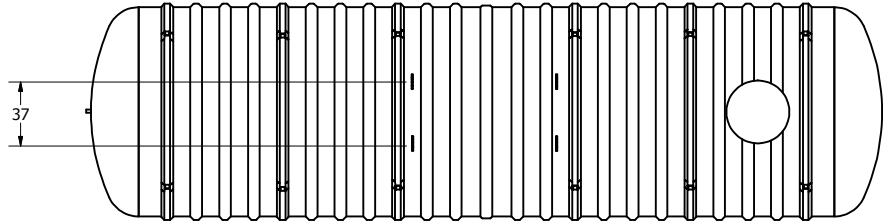




Parts List			
ITEM	QTY	PART NUMBER	DESCRIPTION
1	1	C-COLLAR-30IN	30"D COLLAR
2	4	LIFT-LUG-8-10	LIFT LUG
3	6	C-RIB-GUIDE	STURCTURAL RIB WITH ANCHOR GUIDE
4	16	C-RIB	STRUCTURAL RIB
5	1	SEAM-10FT	SEAM



SECTIONAL JOINT DETAIL A
SCALE 1/25

OPTIONAL	PARTS
30"X12" EXTENSION	ANCHORS
30"X30" EXTENSION	FOAM INSULATION
30"X60" EXTENSION	LOCK BAR
30"X84" EXTENSION	OPTIONAL FITTING(S)
ALARM	PUMP STAND

DRAWN MPS	7/19/2022
CHECKED	
QA	
MFG DCL	
APPROVED	
DCL	
CAPACITY 79,555L (17,500 IG)	LENGTH 37' 9"

TITLE BX17500W UNDERGROUND FIBREGLASS WATER CISTERN	
 Drinking Water NSF/ANSI 61	
SIZE C	DWG NO BX17500W
SCALE	REV 1