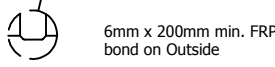
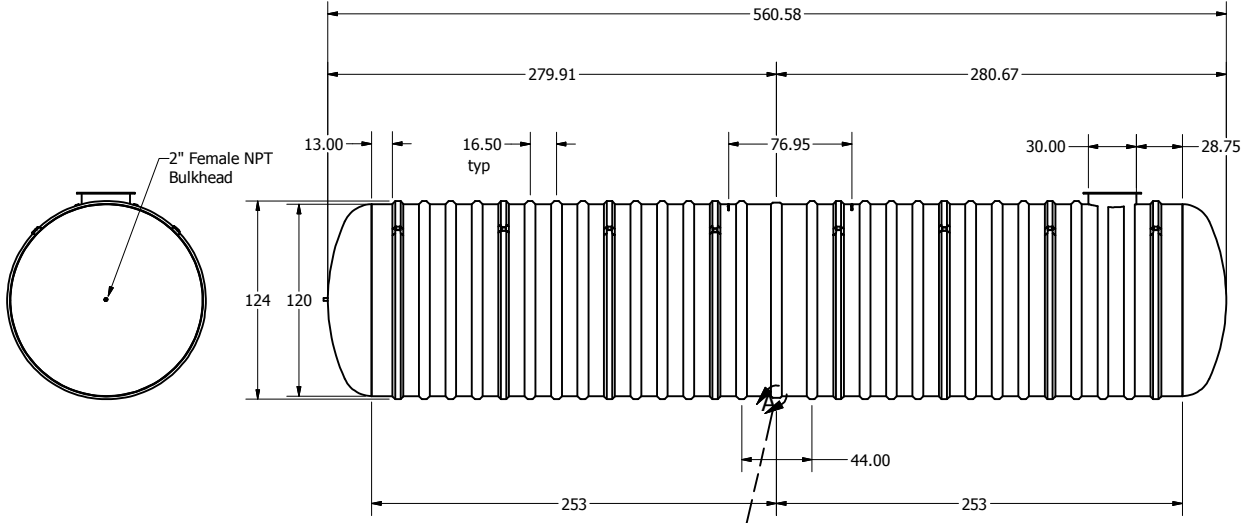
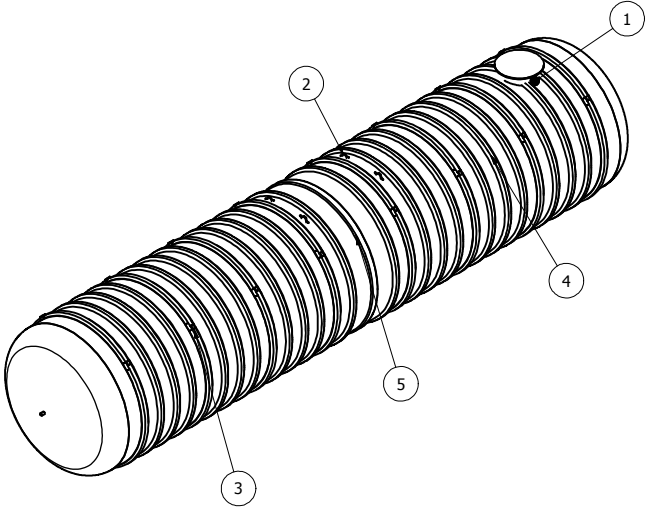
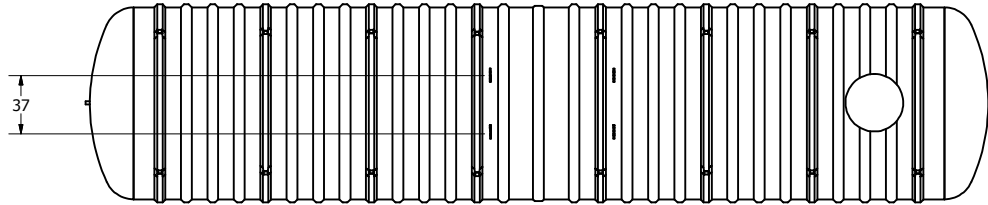


Parts List			
ITEM	QTY	PART NUMBER	DESCRIPTION
1	1	C-COLLAR-30IN	30"D COLLAR
2	4	LIFT-LUG-8-10	LIFT LUG
3	8	C-RIB-GUIDE	STURUCTURAL RIB WITH ANCHOR GUIDE
4	20	C-RIB	STRUCTURAL RIB
5	1	SEAM-10FT	SEAM





SECTIONAL JOINT DETAIL A
SCALE 1/25

OPTIONAL	PARTS
30"X12" EXTENSION	ANCHORS
30"X30" EXTENSION	FOAM INSULATION
30"X60" EXTENSION	LOCK BAR
30"X84" EXTENSION	OPTIONAL FITTING(S)
ALARM	PUMP STAND

DRAWN	MPS	7/19/2022
CHECKED		
QA		
MFG		
DCL		
APPROVED		
DCL		
CAPACITY	100,012L	LENGTH 46' 9"
	(22,000 IG)	

TITLE
BX22000W UNDERGROUND FIBREGLASS WATER CISTERN


 Drinking Water
NSF/ANSI 61



SIZE C	DWG NO BX22000W	REV 1
SCALE	SHEET 1 OF 1	