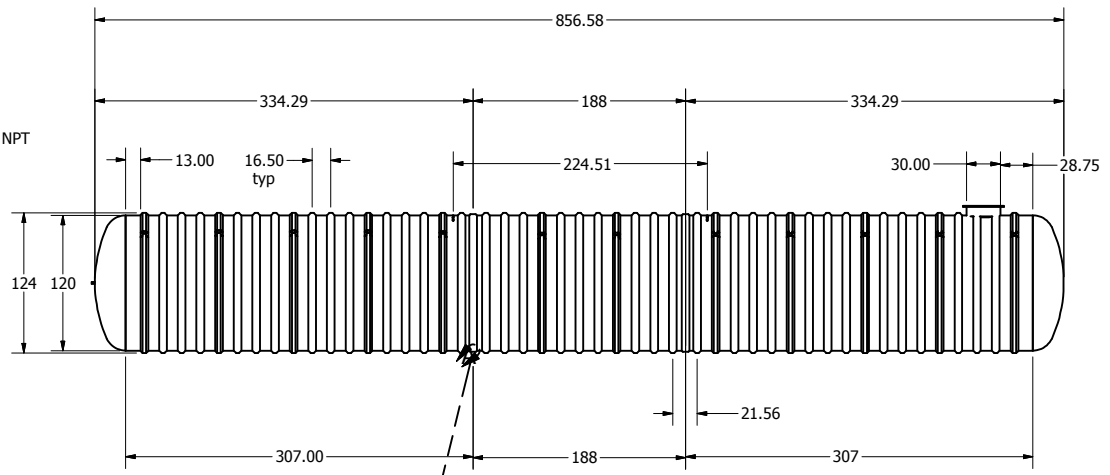
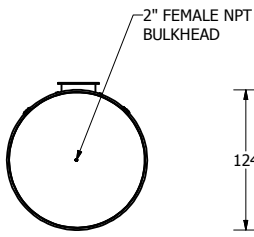
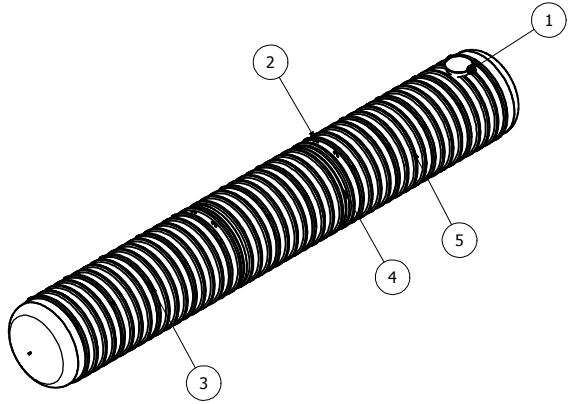
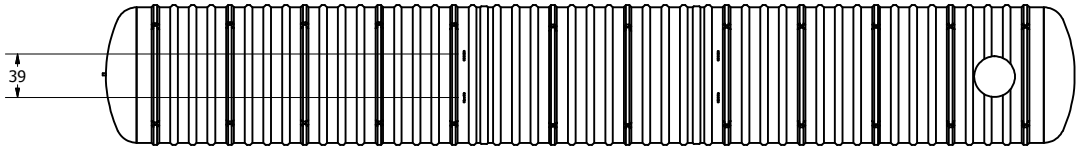




Parts List			
ITEM	QTY	PART NUMBER	DESCRIPTION
1	1	C-COLLAR-30IN	30"D COLLAR
2	4	LIFT-LUG-8-10	LIFT LUG
3	12	C-RIB-GUIDE	STURUCTURAL RIB WITH ANCHOR GUIDE
4	2	SEAM-10FT	SEAM
5	35	C-RIB	STRUCTURAL RIB



6mm x 200mm min. FRP bond on Outside

SECTIONAL JOINT DETAIL A  
SCALE 1/25

DRAWN MPS	7/19/2022	TITLE BX34000W UNDERGROUND FIBREGLASS WATER CISTERN	
CHECKED		 	
QA		Drinking Water NSF/ANSI 61	
MFG DCL		SIZE C	DWG NO BX34000W
APPROVED DCL		SCALE	REV 1
CAPACITY 154,564L (34,000 IG)	LENGTH 71' 5"	SHEET 1 OF 1	