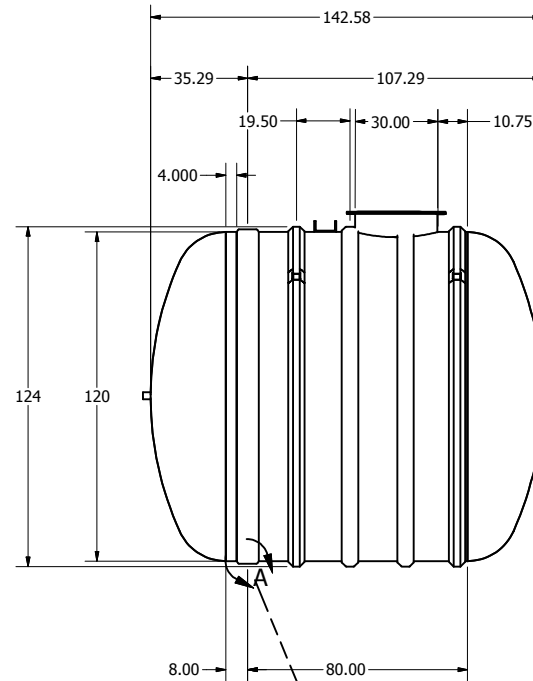
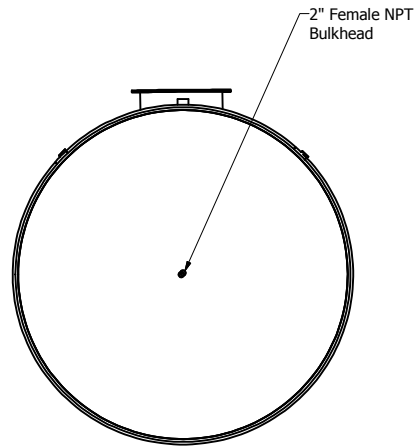
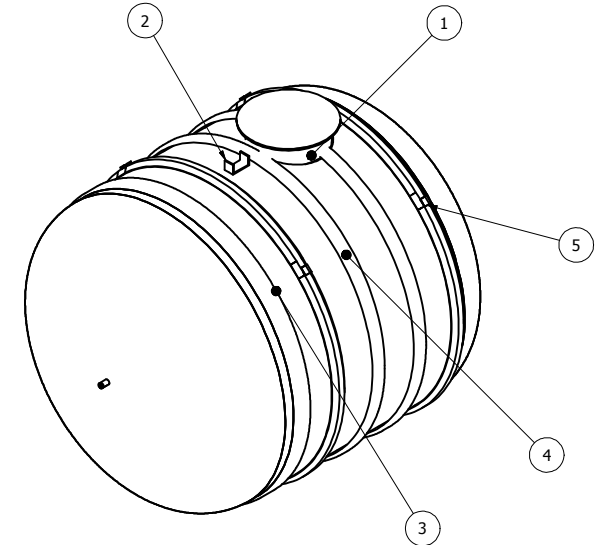
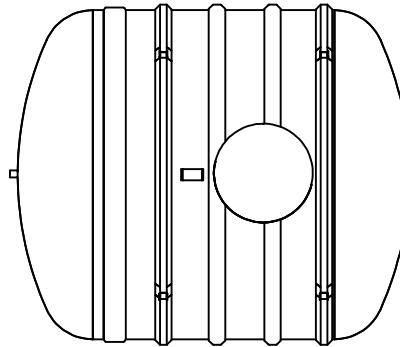


Parts List			
ITEM	QTY	PART NUMBER	DESCRIPTION
1	1	C-COLLAR-30IN	30"D COLLAR
2	1	LIFT-LUG-C	LIFT LUG
3	1	C-SEAM-10FT	SEAM
4	2	C-RIB	STRUCTURAL RIB
5	2	C-RIB-GUIDE	STRUCTURAL RIB W/ ANCHOR GUIDE





6mm x 200mm min. FRP bond on Outside

SECTIONAL JOINT DETAIL A
SCALE 1/25

OPTIONAL	PARTS
30"X12" EXTENSION	ANCHORS
30"X30" EXTENSION	FOAM INSULATION
30"X60" EXTENSION	LOCK BAR
30"X84" EXTENSION	OPTIONAL FITTING(S)
ALARM	PUMP STAND

DRAWN MPS	7/19/2022
CHECKED	
QA	
MFG DCL	
APPROVED DCL	
WEIGHT 932 kg (2,050 lbs)	LENGTH 11' 10"
OVERALL CAPACITY 22,730L (5,000 IG, 6,000 USG)	

TITLE BX5000W UNDERGROUND FIBREGLASS WATER CISTERN	
	
Drinking Water NSF/ANSI 61	
SIZE C	DWG NO BX5000W
SCALE	REV 1
SHEET 1 OF 1	