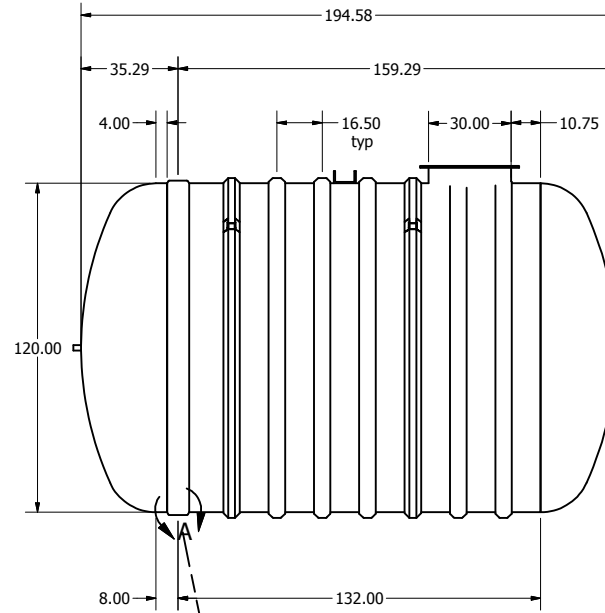
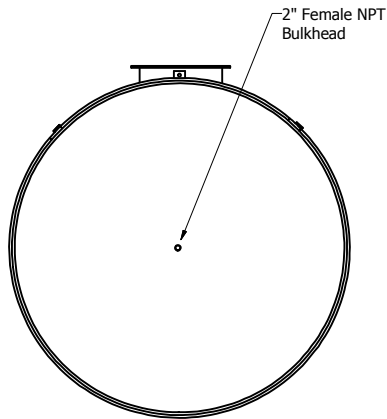
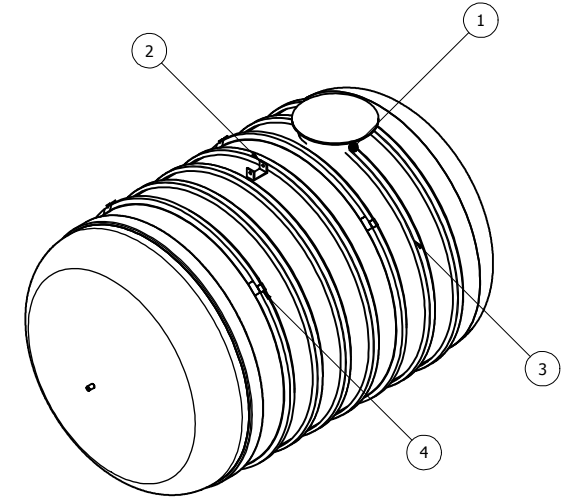
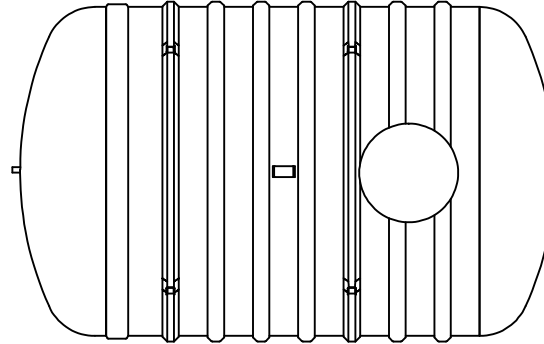


Parts List			
ITEM	QTY	PART NUMBER	DESCRIPTION
1	1	C-COLLAR-30IN	30"D COLLAR
2	1	C-SEAM-10FT	SEAM
3	5	C-RIB	STRUCTURAL RIB
4	2	C-RIB-GUIDE	STURUCTURAL RIB WITH ANCHOR GUIDE



6mm x 200mm min. FRP bond on Outside

SECTIONAL JOINT DETAIL A  
SCALE 1/25

OPTIONAL	PARTS
30"X12" EXTENSION	ANCHORS
30"X30" EXTENSION	FOAM INSULATION
30"X60" EXTENSION	LOCK BAR
30"X84" EXTENSION	OPTIONAL FITTINGS(S)
ALARM	PUMP STAND

DRAWN	MPS	7/19/2022
CHECKED		
QA		
MFG		
DCL		
APPROVED		
DCL		
WEIGHT	1,159 kg (2,550 lbs)	LENGTH 16' 1"
OVERALL CAPACITY	31,822L (7,000 IG, 8,400 USG)	

TITLE		BX7000W UNDERGROUND FIBREGLASS WATER CISTERN	
			
Drinking Water NSF/ANSI 61		SIZE C	DWG NO BX7000W
SCALE			REV 1
		SHEET 1 OF 1	