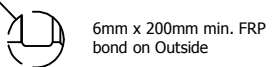
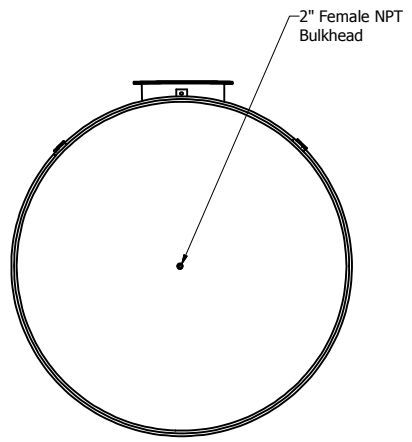
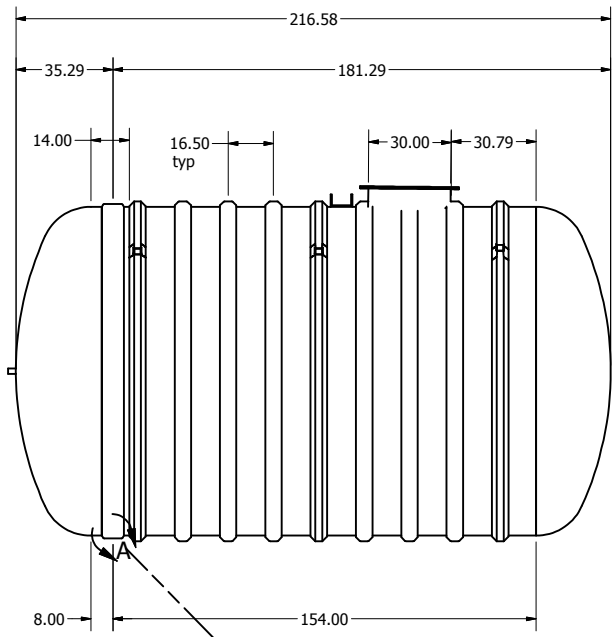
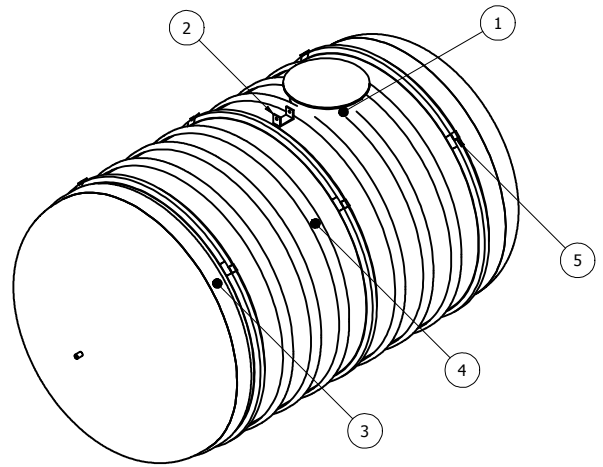
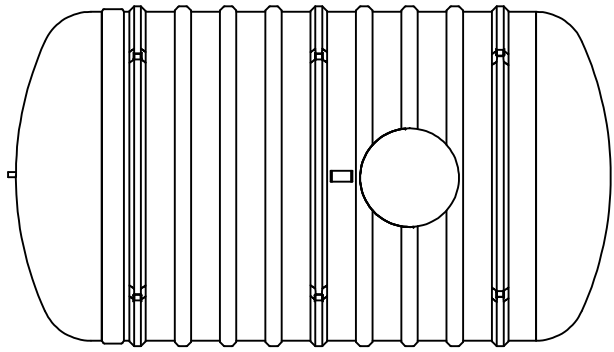




Parts List			
ITEM	QTY	PART NUMBER	DESCRIPTION
1	1	C-COLLAR-30IN	30"D COLLAR
2	1	LIFT-LUG-C	LIFT LUG
3	1	C-SEAM-10FT	SEAM
4	6	C-RIB	STRUCTURAL RIB
5	3	C-RIB-GUIDE	STURUCTURAL RIB WITH ANCHOR GUIDE



SECTIONAL JOINT DETAIL A
SCALE 1/25

6mm x 200mm min. FRP bond on Outside

OPTIONAL	PARTS
30"X12" EXTENSION	ANCHORS
30"X30" EXTENSION	FOAM INSULATION
30"X60" EXTENSION	LOCK BAR
30"X84" EXTENSION	OPTIONAL FITTING(S)
ALARM	PUMP STAND

DRAWN MPS	7/19/2022	TITLE BX8000W UNDERGROUND FIBREGLASS WATER CISTEN	
CHECKED			
QA			
MFG DCL		 	
APPROVED DCL		Drinking Water NSF/ANSI 61	
WEIGHT 1,273 kg (2,800 lbs)	LENGTH 18' 1"	SIZE C	DWG NO BX8000W
OVERALL CAPACITY 36,368L (8,000 IG, 9,600 USG)		SCALE	REV 1
		SHEET 1 OF 1	