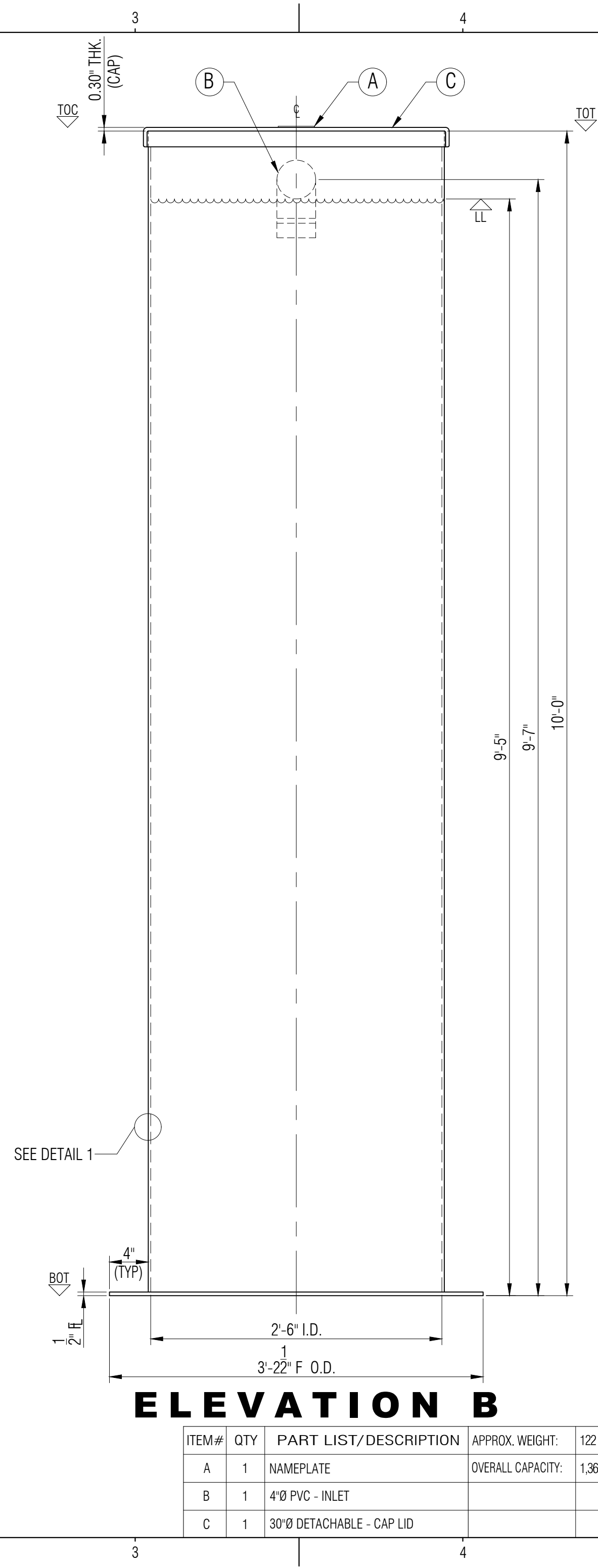
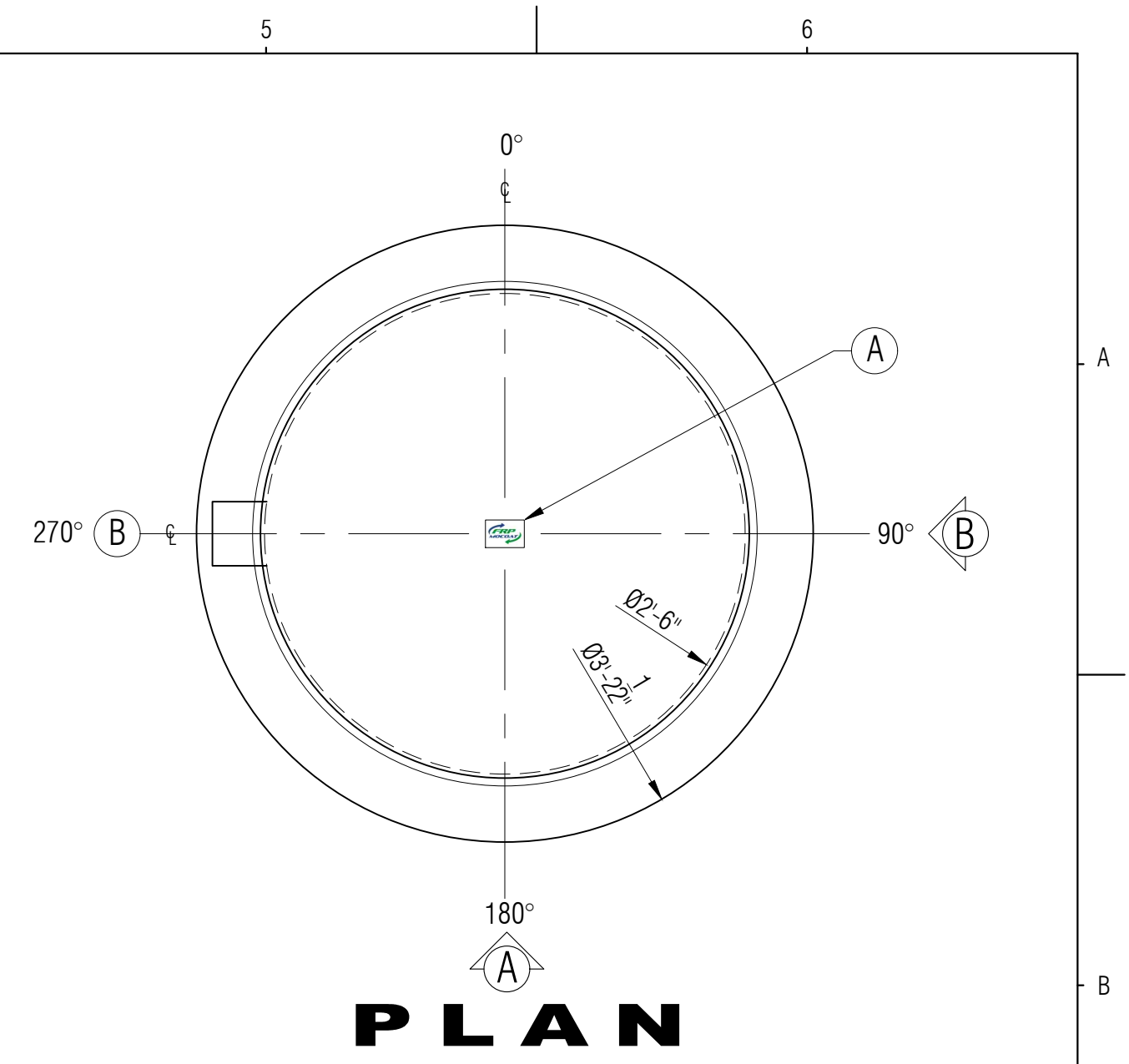


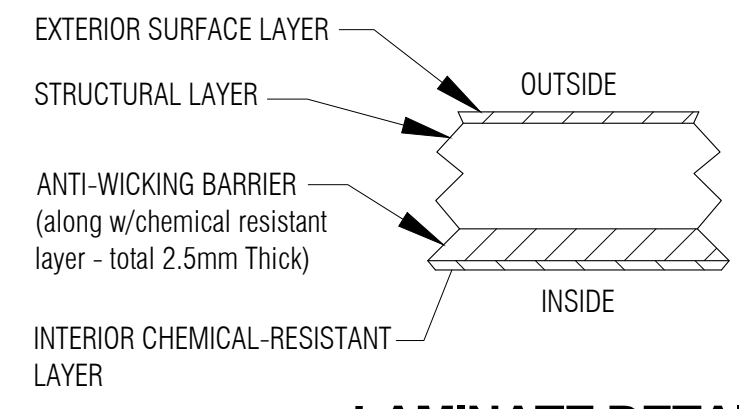
ELEVATION A



ELEVATION B




PLAN



LAMINATE DETAIL 1
NTS

GENERAL NOTES:
 - CSA B66 CERTIFIED FOR SEWAGE.
 - TANK COMES UNASSEMBLED FROM FACTORY.
 - TESTED TO 10'-0" BURIAL DEPTH.
 - DIMENSIONS SHOWN IN FEET INCHES FORMAT OTHERWISE NOTED.
 - 1/2" FABRICATION TOLERANCE. DOES NOT APPLY TO LAMINATE THICKNESS.

LEGEND:
 TOL - TOP OF LID
 TOC - TOP OF CAP
 TOT - TOP OF TANK
 BCD - BOLT CENTER DIAMETER
 BOT - BOTTOM OF TANK
 LL - LIQUID LEVEL
 I/S - INSIDE
 O/S - OUTSIDE
 Ø - DIAMETER
 ° - DEGREE/S
 TYP - TYPICAL
 CL - CENTER LINE
 NTS - NOT TO SCALE

DRAWN:	ATF	CLIENT:	FRP/MOCOAT FIBERGLASS LTD.	
CHECKED:		TITLE:	HT30D120L FRP TANK	
DATE:	FEB. 22, 2024	 FRP MOCOAT FIBERGLASS LTD.	SIZE:	DRAWING NUMBER:
DESIGNED:			C	HT30D120L
APPROVED:	MPS	REVISION:	0	
MFG:	DS	SCALE:	1:10	SHEET
PM:	GA	EST#:		SO#:
SALES:	DG	PO#:		JOB#:
				1/1

ITEM#	QTY	PART LIST/DESCRIPTION	APPROX. WEIGHT:	122 KG (270 LBS)	APPROVED:	MPS
A	1	NAMEPLATE	OVERALL CAPACITY:	1,364L (300IG/1,360 USG)	MFG:	DS
B	1	4"Ø PVC - INLET			PM:	GA
C	1	30"Ø DETACHABLE - CAP LID			SALES:	DG