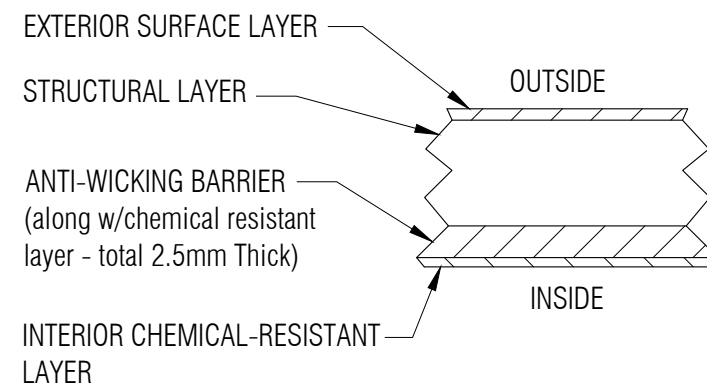
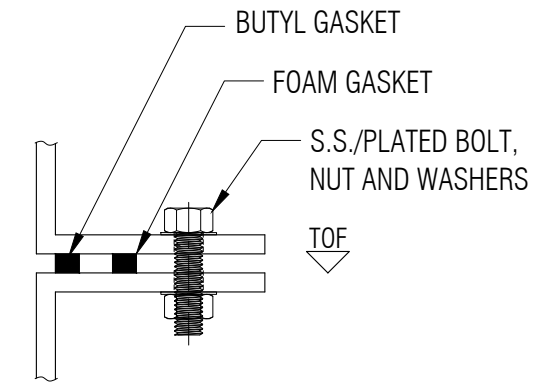


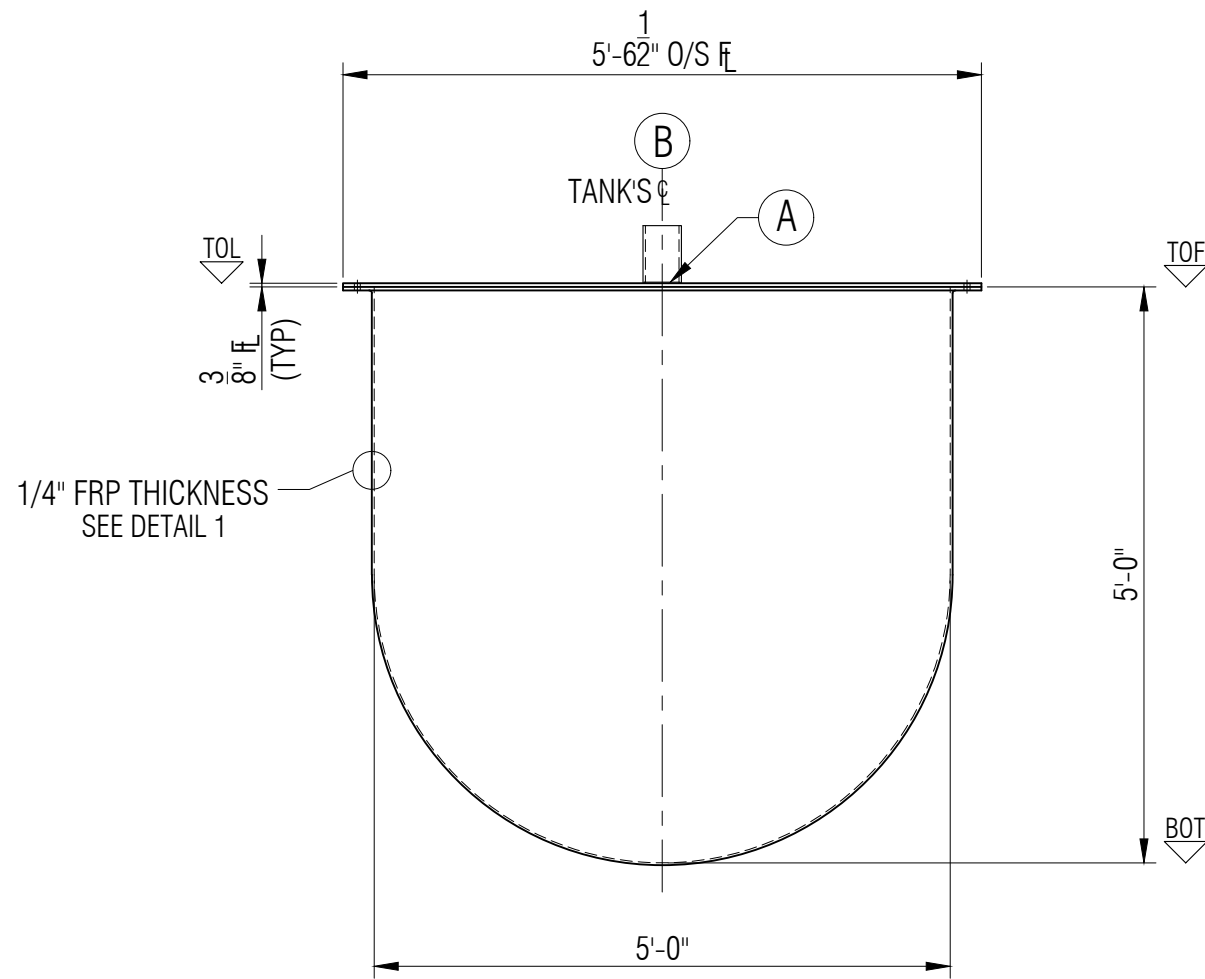
PLAN



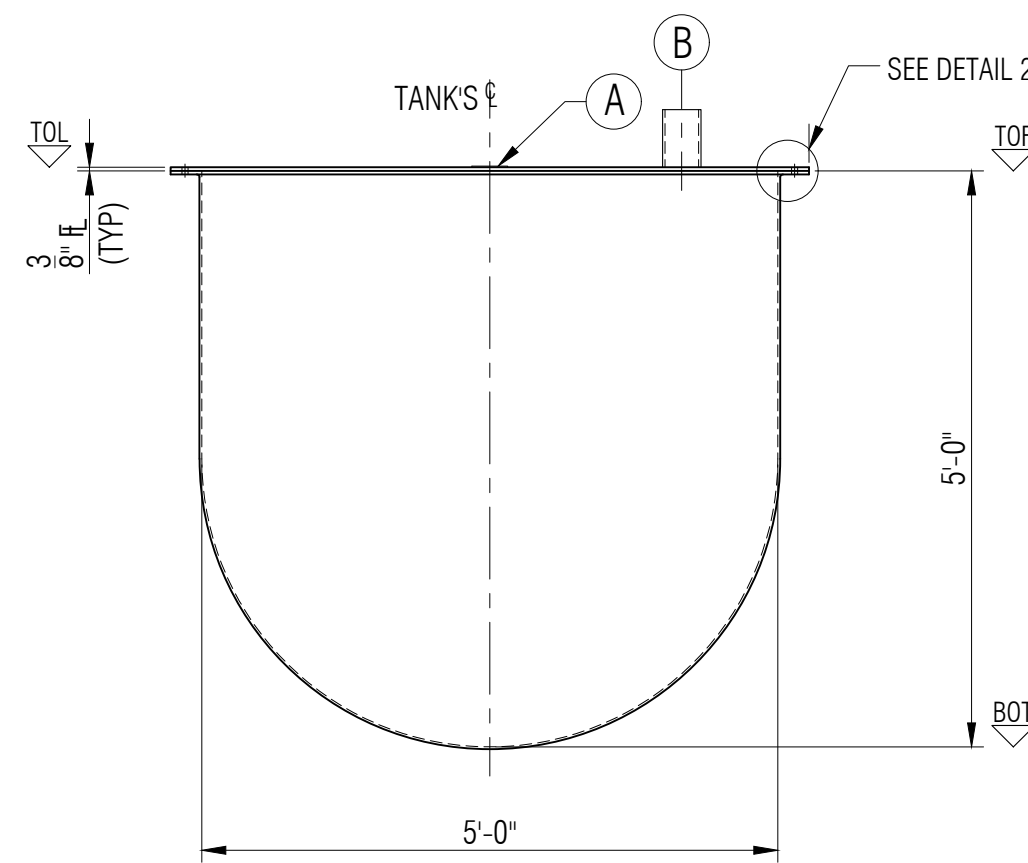
LAMINATE DETAIL 1
NTS



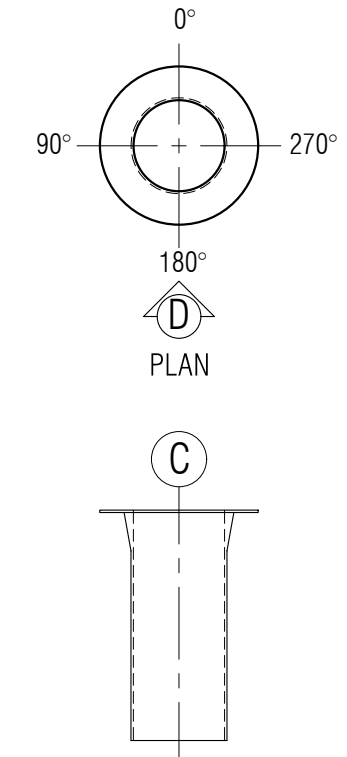
FLANGE TO FLANGE CONNECTION DETAIL 2
NTS



ELEVATION A



ELEVATION B



ELEVATION D
10"Ø PVC - DROP TUBE
SOLD SEPARATELY

GENERAL NOTES:
 - CSA B66 CERTIFIED FOR SEWAGE.
 - TANK COMES UNASSEMBLED FROM FACTORY.
 - 10" Ø DROP TUBE TOILET PACKAGE IS SOLD SEPARATELY.
 - DIMENSIONS SHOWN IN FEET INCHES FORMAT OTHERWISE NOTED.
 - 1/2" FABRICATION TOLERANCE. DOES NOT APPLY TO LAMINATE THICKNESS.

LEGEND:
 TOL - TOP OF LID
 TOF - TOP OF FLANGE
 BCD - BOLT CENTER DIAMETER
 BOT - BOTTOM OF TANK
 I/S - INSIDE
 O/S - OUTSIDE
 Ø - DIAMETER
 ° - DEGREE/S
 TYP - TYPICAL
 CL - CENTER LINE
 NTS - NOT TO SCALE

ITEM#	QTY	PART LIST/DESCRIPTION	APPROX. WEIGHT:	59KG (130LBS.)	DRAWN:	ATF	CLIENT:	FRP/MOCOAT FIBERGLASS LTD.		
A	1	NAMEPLATE	OVERALL CAPACITY:	1,705 L (375 IG/450 USG)	CHECKED:		TITLE:	TOIL500 TOILET TANK		
B	1	4"Ø PVC COUPLING - VENT CONNECTION			DATE:	FEB. 12, 2024		FRP MOCOAT FIBERGLASS LTD.		
C	1	10"Ø PVC - DROP TUBE (SOLD SEPARATELY)			DESIGNED:				C TOIL500	
D					APPROVED:	MPS	SCALE		EST#:	SO#:
E					MFG:	DS	1:20	PO#:	JOB#:	1/1
F					PM:	GA				
G					SALES:	DG				