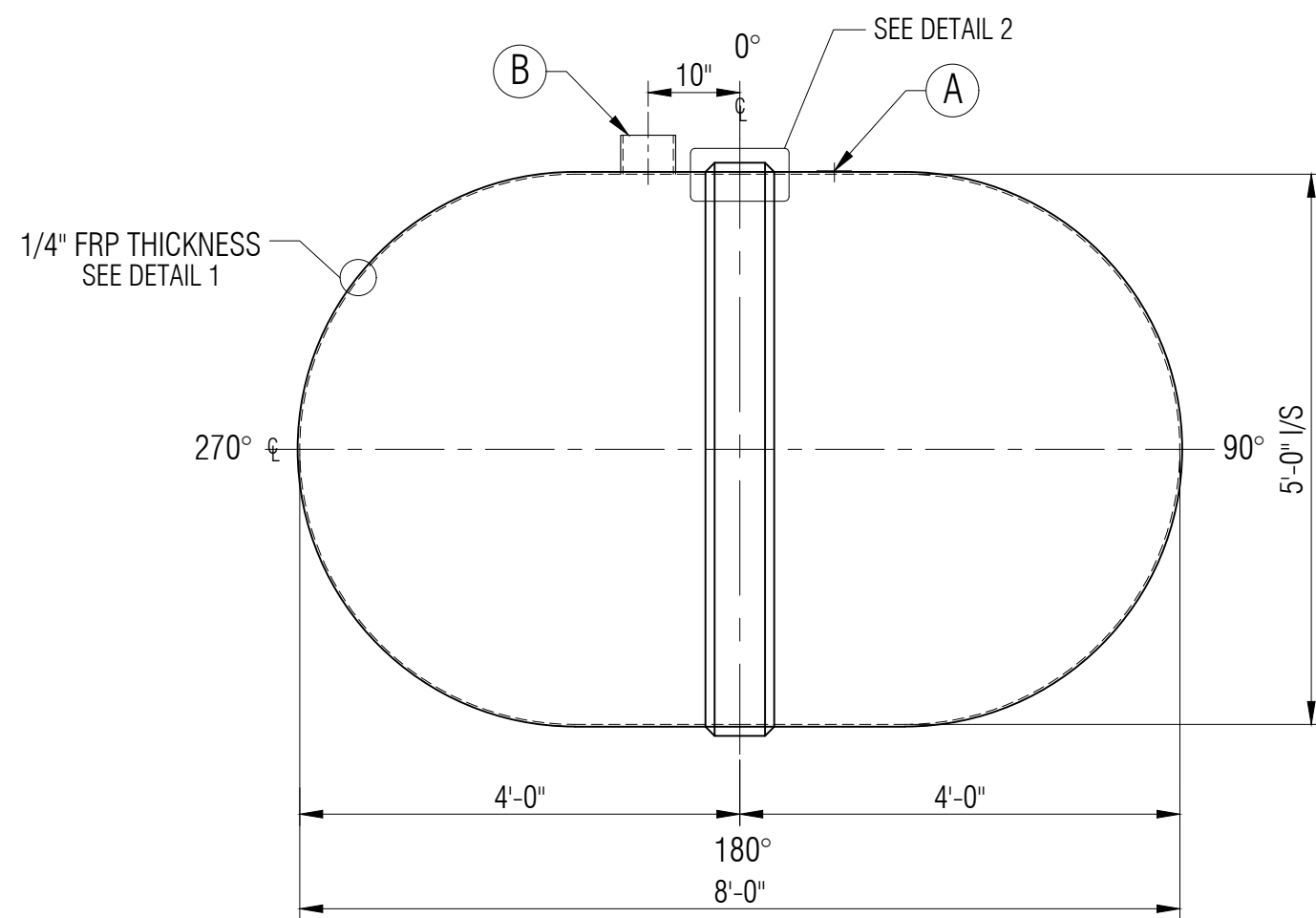
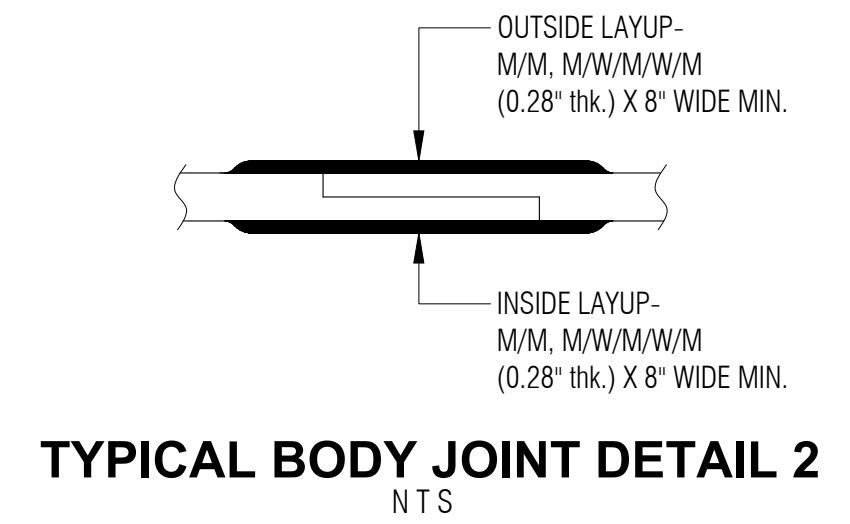
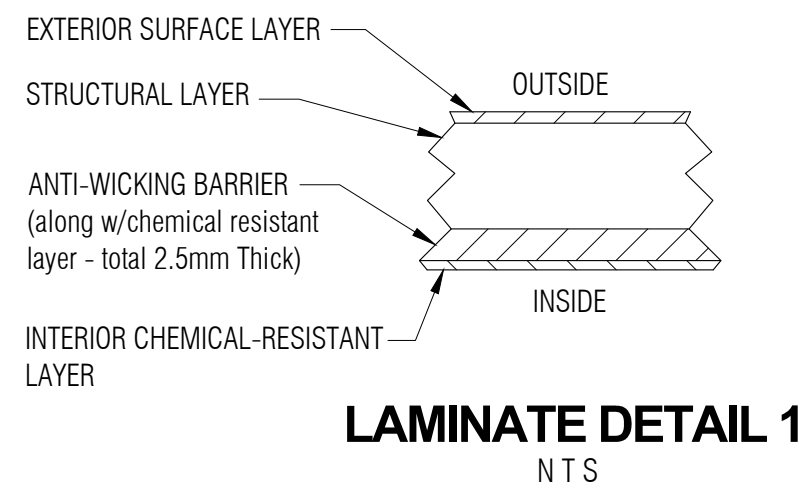
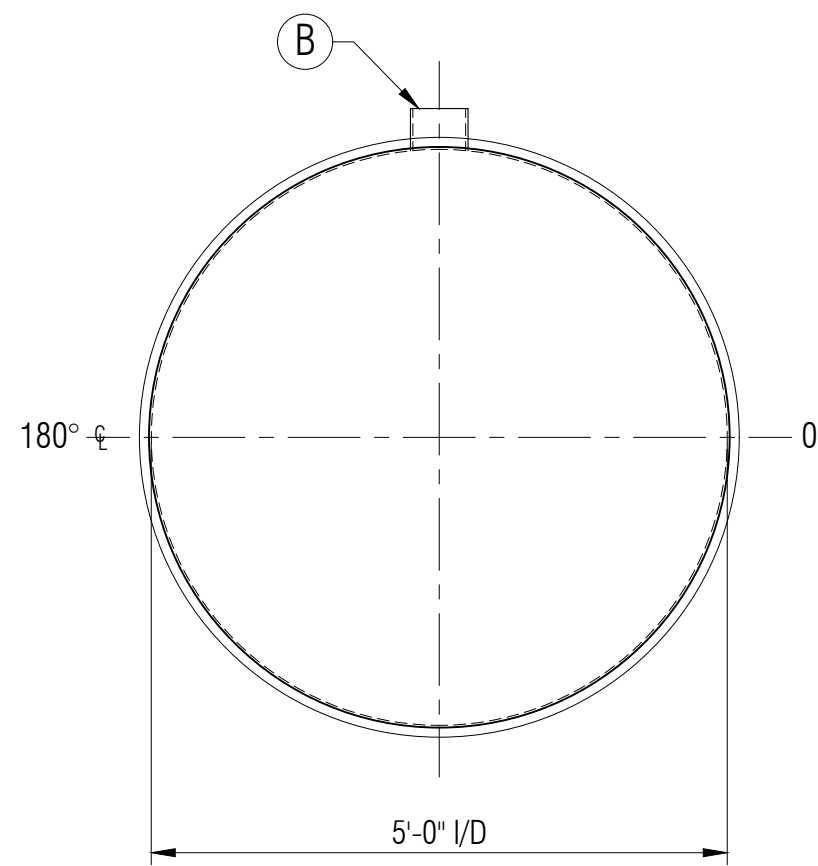


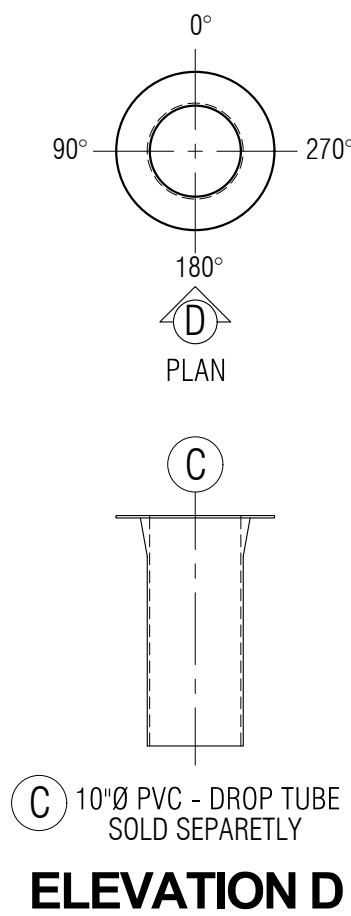
PLAN



ELEVATION A



ELEVATION B



(C) 10"Ø PVC - DROP TUBE SOLD SEPARATELY
ELEVATION D

GENERAL NOTES:
 - CSA B66 CERTIFIED FOR SEWAGE.
 - TANK COMES UNASSEMBLED FROM FACTORY.
 - 10" Ø DROP TUBE TOILET PACKAGE IS SOLD SEPARATELY.
 - DIMENSIONS SHOWN IN FEET INCHES FORMAT OTHERWISE NOTED.
 - 1/2" FABRICATION TOLERANCE. DOES NOT APPLY TO LAMINATE THICKNESS.

LEGEND:
 TOL - TOP OF LID
 TOF - TOP OF FLANGE
 BCD - BOLT CENTER DIAMETER
 BOT - BOTTOM OF TANK
 I/S - INSIDE
 O/S - OUTSIDE
 Ø - DIAMETER
 ° - DEGREE/S
 TYP - TYPICAL
 ☒ - CENTER LINE
 NTS - NOT TO SCALE

| ITEM# | QTY | PART LIST/DESCRIPTION | APPROX. WEIGHT: | 204KG (450LBS.) | DRAWN: | ATF | CLIENT: | FRP/MOCOAT FIBERGLASS LTD. |
|-------|-----|--|-------------------|--------------------------|-----------|---------------|-----------------|--------------------------------------|
| A | 1 | NAMEPLATE | OVERALL CAPACITY: | 1,705 L (375 IG/450 USG) | CHECKED: | | TITLE: | TOIL750 TOILET TANK |
| B | 1 | 6"Ø PVC-DWC COUPLING | | | DATE: | FEB. 12, 2024 | | FRP MOCOAT FIBERGLASS LTD. |
| C | 1 | 10"Ø PVC - DROP TUBE (SOLD SEPARATELY) | | | DESIGNED: | | | |
| D | | | | | APPROVED: | MPS | SIZE: | C |
| E | | | | | MFG: | DS | DRAWING NUMBER: | TOIL750 |
| F | | | | | PM: | GA | SCALE: | 1:20 |
| G | | | | | SALES: | DG | EST#: | |
| | | | | | | | SO#: | |
| | | | | | | | PO#: | |
| | | | | | | | JOB#: | |
| | | | | | | | REVISION | 0 |
| | | | | | | | SHEET | 1/1 |