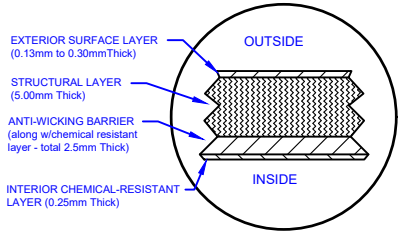
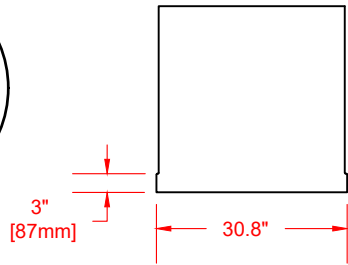


LAMINATE DETAIL



**BELL RISER
(30" ht. shown)**



**SECTION-JOINT
DETAIL**

Specifications

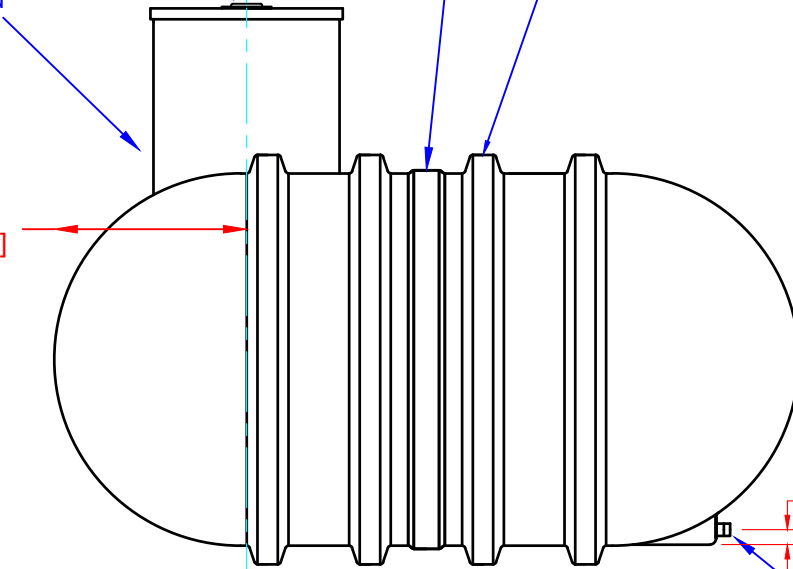
Cylinder Thickness	0.300"	Liquid Depth (holding tank)	N/A
End Cap Thickness	0.300"	Septic Chamber Depth	N/A
Inlet Height (C.L.)	N/A	Effluent Chamber Depth	N/A
Outlet Height (C.L.)	2"	Chamber Wall dimensions	
Inlet Diameter	N/A	Height:	N/A
Outlet Diameter	2"	Thickness:	N/A
Rib Dimension (C to C)	16.5"	Opening Diameter:	N/A

30"D Lid w/8"D Poly vented screw out insert
30"D x 36"H manway bonded directly to tank

30"D Lid w/8"D Poly vented screw out insert

Structural Rib

31" [787mm]



5' [1524mm]

5'-6" [1676mm]

2"

2" Female Bulkhead

34" [873mm]

16.5" [419mm]

34" [873mm]

10' [3048mm]

W1000
www.frpmfg.com
1-866-722-6246

66" [1676mm]



Website: www.frpmfg.com
Toll Free: 1-866-722-6246

W1000-BONDED FIBREGLASS WATER CISTERN

DATE: 27-06-2022 REV: 3

BY: MPS

Overall Length: Approx. 3,048mm (10')

BURIAL DEPTH: 7 Ft

Overall Weight: Approx. 249 kg (550 lbs)

DATE:

Overall Capacity: Approx. 4,546L (1,000 Imp Gal, 1,200 US Gal)

APPROVAL:



Drinking Water
NSF/ANSI 61