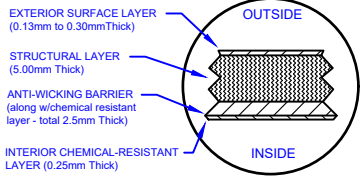
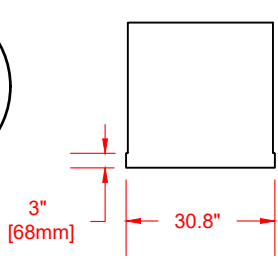


LAMINATE DETAIL



BELL RISER  
(30" ht. shown)



SECTION-JOINT  
DETAIL

Specifications

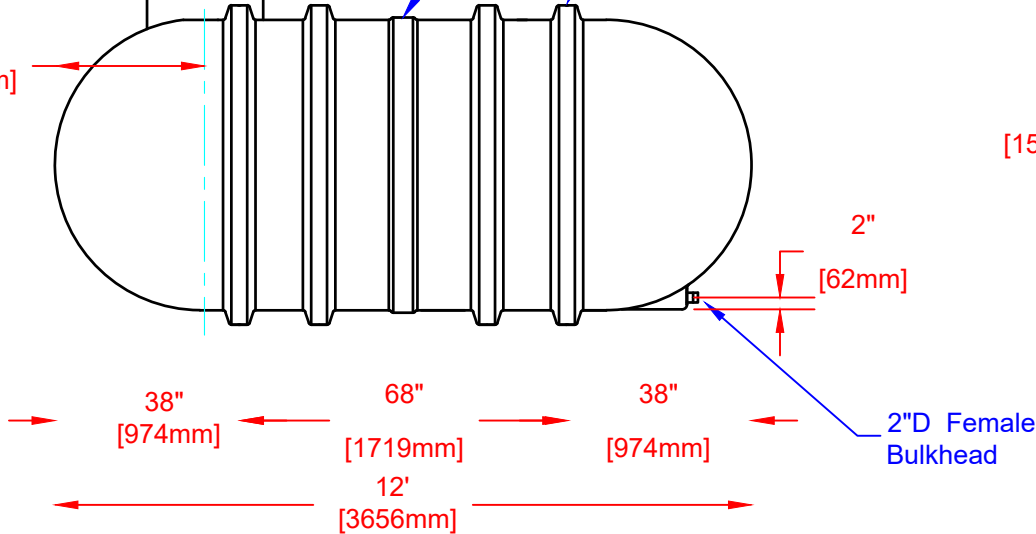
|                        |        |                         |     |
|------------------------|--------|-------------------------|-----|
| Cylinder Thickness     | 0.300" | Septic Chamber Depth    | N/A |
| End Cap Thickness      | 0.300" | Septic Chamber Depth    | N/A |
| Inlet Height (C.L.)    | N/A    | Effluent Chamber Depth  | N/A |
| Outlet Height (C.L.)   | 2"     | Chamber Wall dimensions |     |
| Inlet Diameter         | N/A    | Height:                 | N/A |
| Outlet Diameter        | 2"     | Thickness:              | N/A |
| Rib Dimension (C to C) | 16.5"  | Opening Diameter:       | N/A |

30"D Lid w/8"D poly vented screw out insert.

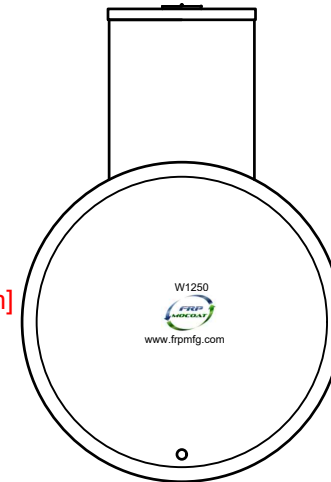
30"D x 30"H manway bonded directly to tank

Structural Rib

31"  
[781mm]



5'  
[1532mm] i.d.  
5'-6"  
[1682mm] o.d.



W1250  
FRP MOCOAT  
www.frpmfg.com



Website: [www.frpmfg.com](http://www.frpmfg.com)  
Toll Free: 1-866-722-6246

W1250-BONDED FIBREGLASS WATER CISTERN

|                   |  |
|-------------------|--|
| Overall Length:   | Approx. 3,658mm (12')                        |
| Overall Weight:   | Approx. 249 kg (550 lbs)                     |
| Overall Capacity: | Approx. 5,682L (1,250 Imp Gal, 1,500 US Gal) |

DATE: 27-06-2022 REV: 3

BY: MPS

BURIAL DEPTH: 7 Ft

DATE:

APPROVAL:



Drinking Water  
NSF/ANSI 61