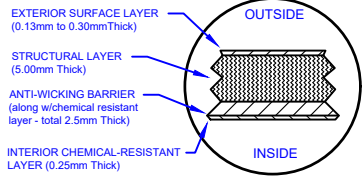
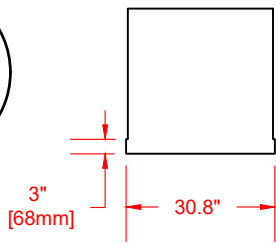


LAMINATE DETAIL



BELL RISER  
(30" ht. shown)



SECTION-JOINT  
DETAIL

# Specifications

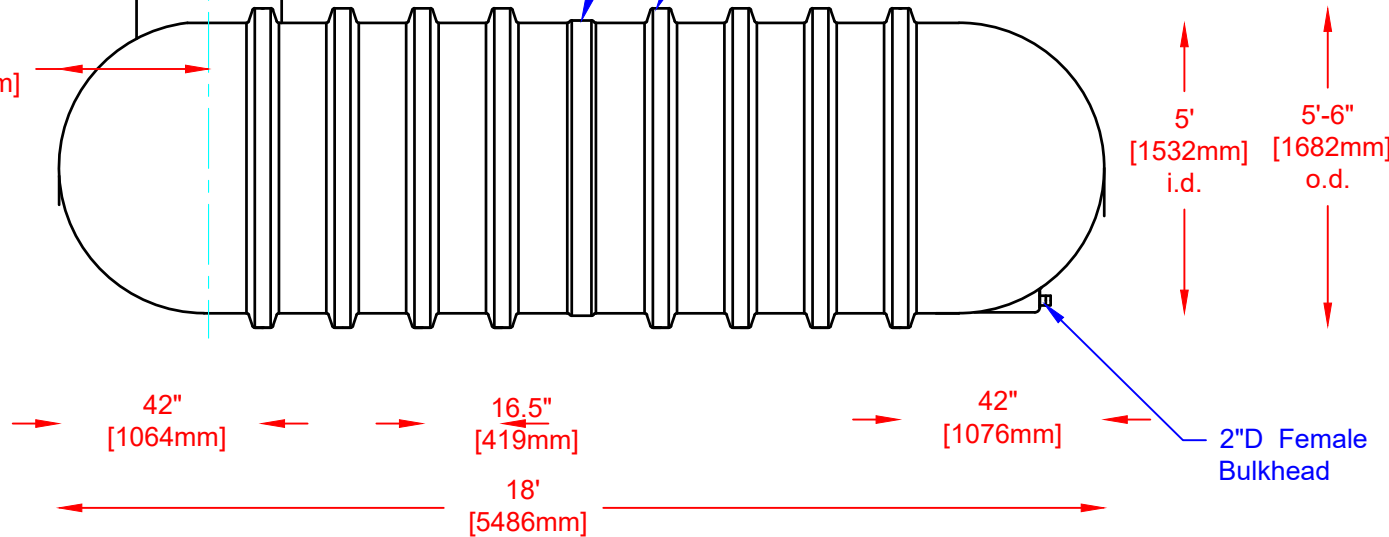
Cylinder Thickness	0.300"	Septic Chamber Depth	N/A
End Cap Thickness	0.300"	Septic Chamber Depth	N/A
Inlet Height (C.L.)	N/A	Effluent Chamber Depth	N/A
Outlet Height (C.L.)	2"	Chamber Wall dimensions	
Inlet Diameter	N/A	Height:	N/A
Outlet Diameter	2"	Thickness:	N/A
Rib Dimension (C to C)	16.5"	Opening Diameter:	N/A

30"D Lid w/8"D poly vented screw out insert.

30"D x 36"H manway bonded directly to tank

31" [785mm]

Structural Rib



2"D Female Bulkhead



Website: [www.frpmfg.com](http://www.frpmfg.com)  
Toll Free: 1-866-722-6246

## W2000-BONDED FIBREGLASS WATER CISTERN

DATE: 06-27-2022 REV: 2

BY: MPS

Overall Length: Approx. 5,486mm (18')

BURIAL DEPTH: 7 Ft

Overall Weight: Approx. 453 kg (1,000 lbs)

DATE:

Overall Capacity: Approx. 9,092L (2,000 Imp Gal, 2,400 US Gal)

APPROVAL:



Drinking Water  
NSF/ANSI 61