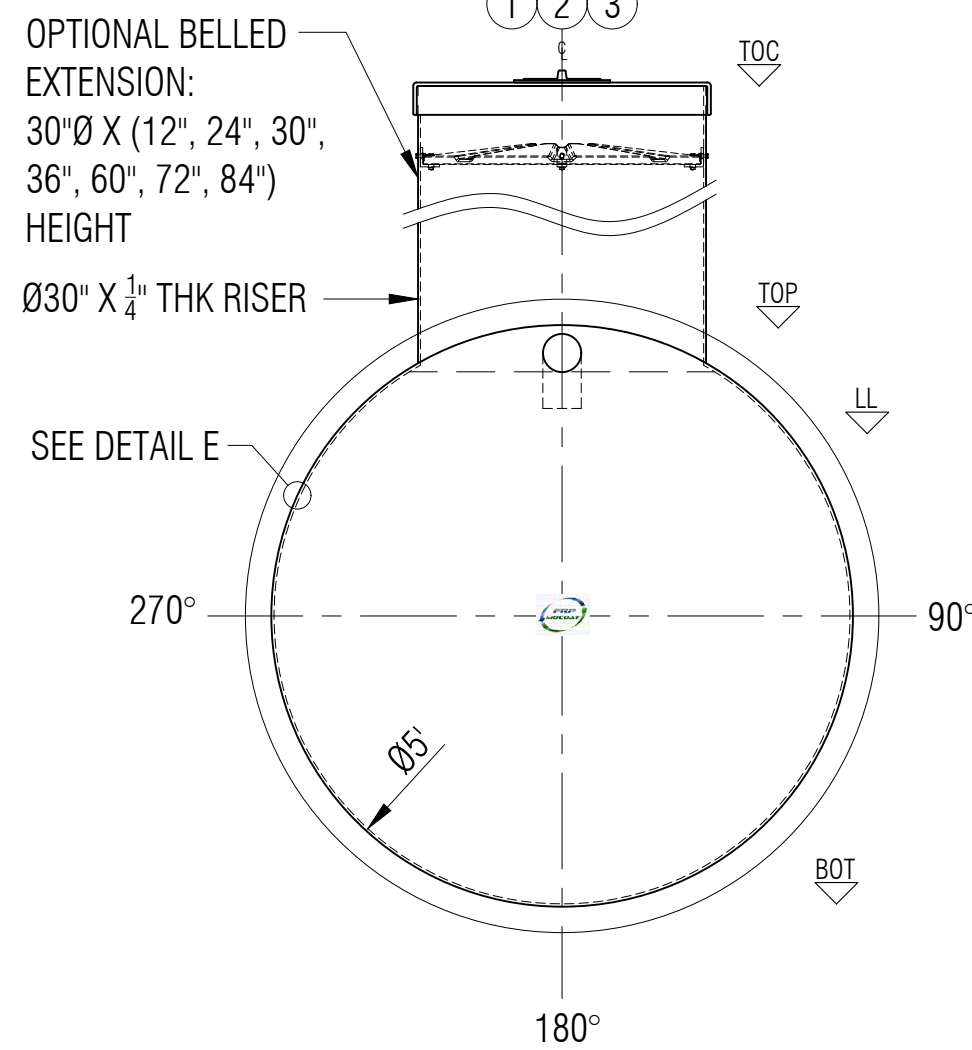
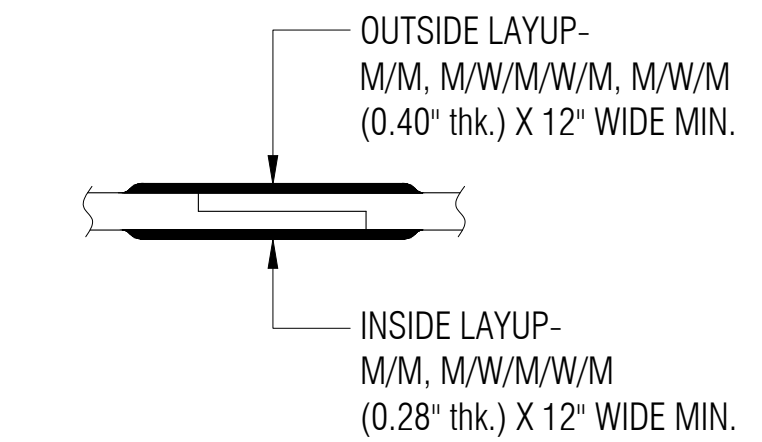


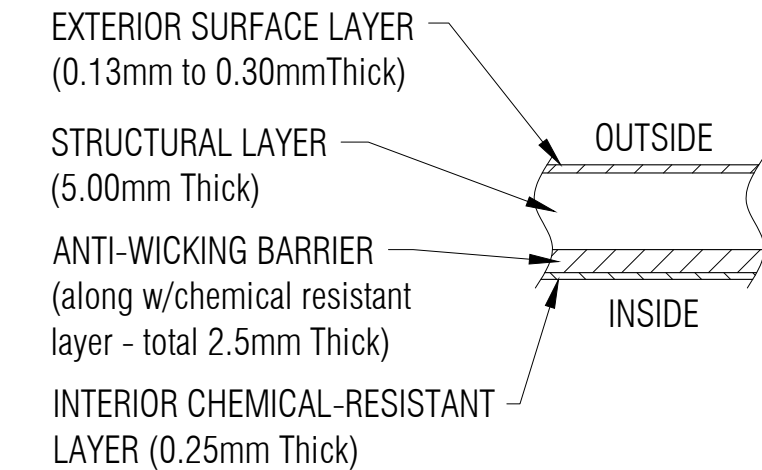
PLAN



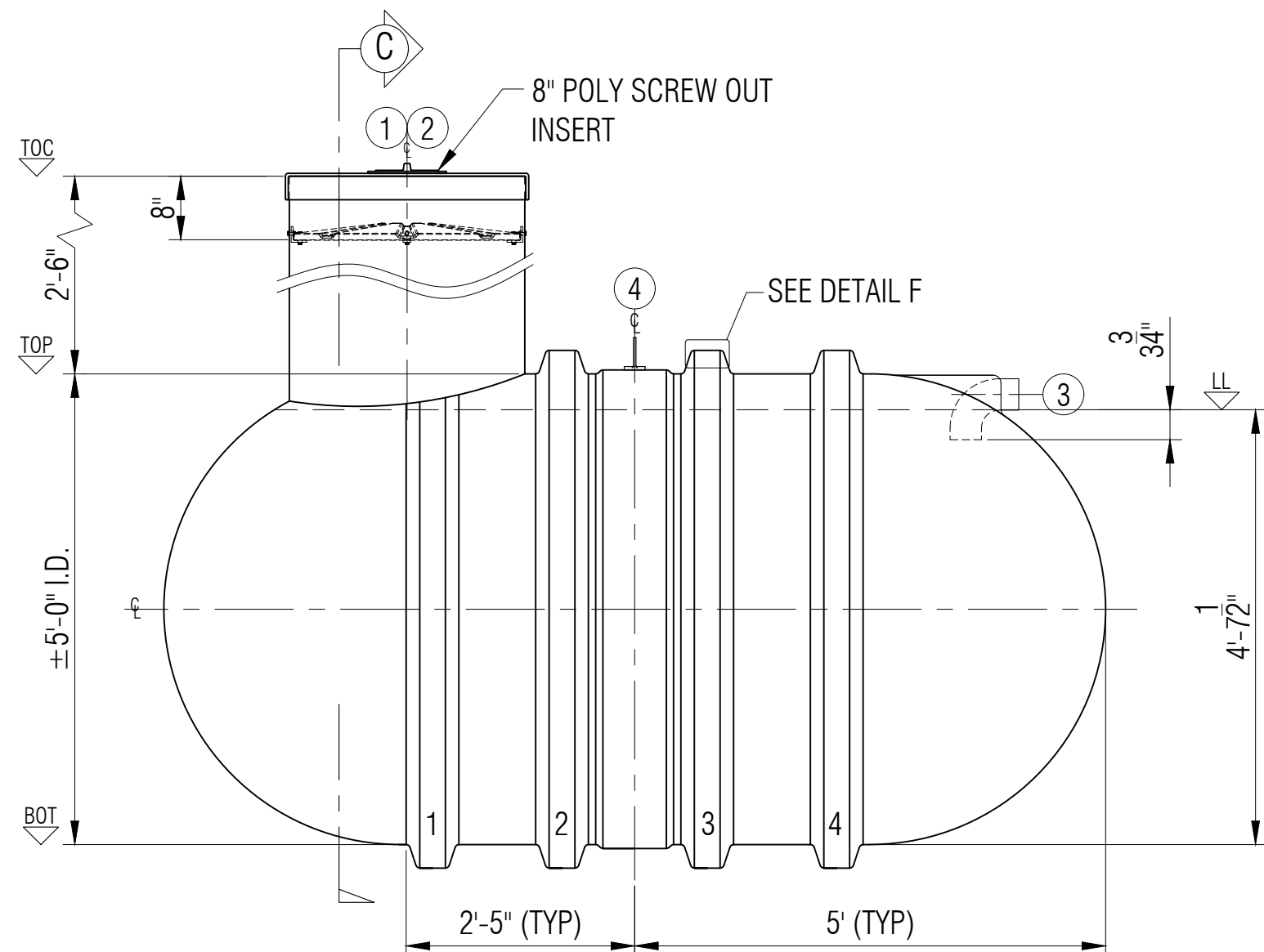
ELEVATION B



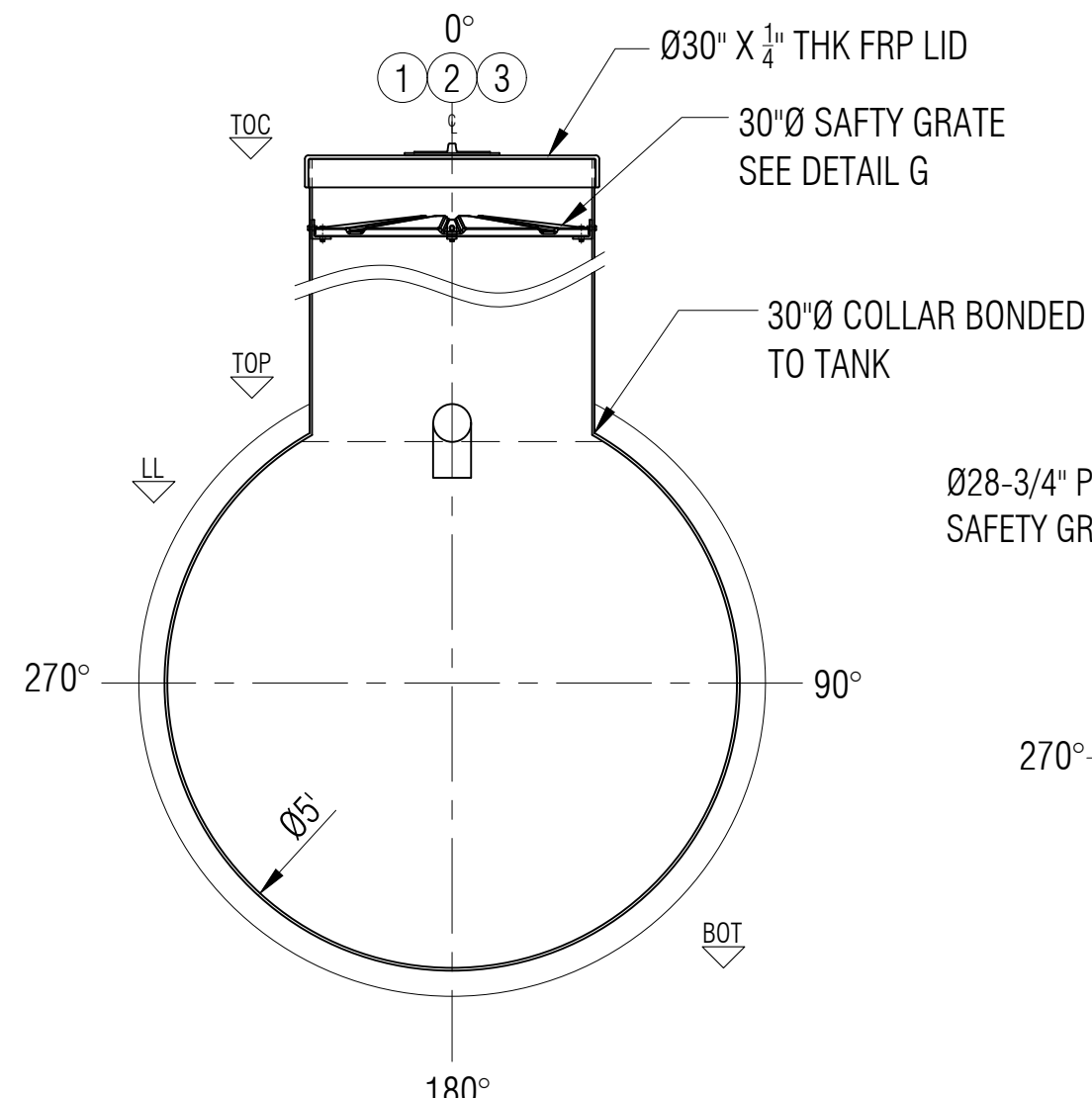
**TYPICAL BODY JOINT
DETAIL D**
NTS



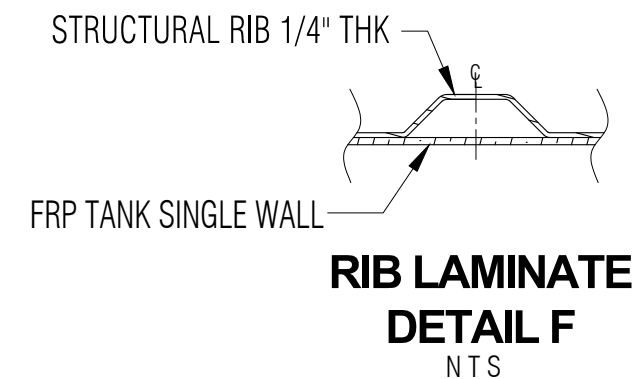
LAMINATE DETAIL E
NTS



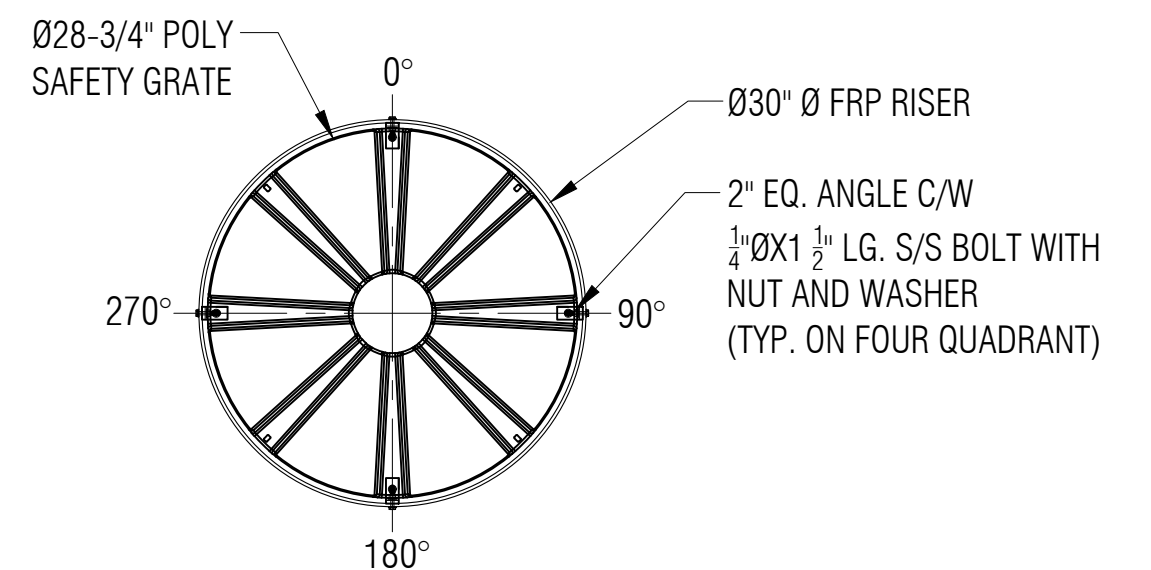
ELEVATION A



SECTION C



**RIB LAMINATE
DETAIL F**
NTS

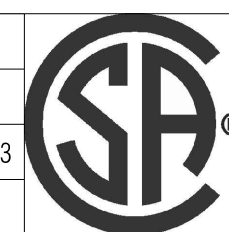


**SAFETY GRATE
DETAIL G**
SCALE: 1:15

- LEGEND:**
 TOC - TOP OF CAP LID
 TOF - TOP OF FLANGE
 TOP - TOP CYLINDER
 BOT - BOTTOM CYLINDER
 I/S - INSIDE
 LL - LIQUID LEVEL
 O.A.H. - OVERALL HEIGHT
 O.A.L. - OVERALL LENGTH
 I/S - INSIDE
 O/S - OUTSIDE
 Ø - DIAMETER
 ° - DEGREE/S
 TYP - TYPICAL
 CL - CENTER LINE
 NTS - NOT TO SCALE

- GENERAL NOTES:**
 - CSA B66 CERTIFIED FRP SEWAGE HOLDING TANK.
 - RATED FOR 7' OF BURIAL DEPTH AND NO TRAFFIC LOADING.
 - ALL DRILLED HOLES FLANGES TO BE COATED WITH RESIN.
 - SAFETY DEVICE CAN WITHSTAND 91 KG. OF DEAD LOAD.
 - DIMENSIONS SHOWN IN FEET INCHES FORMAT OTHERWISE NOTED.
 - 1/2" FABRICATION TOLERANCE. DOES NOT APPLY TO LAMINATE THICKNESS.

ITEM#	QTY	PART LIST	DESCRIPTION	SHELL THICKNESS:	0.300"	DRAWN:	ATF
1	1	30" CAP LID W/ 8" Ø POLY SCREW OUT INSERT	FRP LID	DISH HEAD THICKNESS:	0.300"	CHECKED:	
2	1	30" Ø MANWAY COLLAR	30" Ø FRP MANWAY	RIBS THICKNESS:	0.25" WITH 1 WR	DATE:	JUNE 08, 2023
3	1	4" PVC-DWV 90°	INLET	RIB SPACING:	16-1/2" CL TO CL	DESIGNED:	
4	1	MID STEEL	LIFT LUG	WEIGHT:	249KG (550LBS)	APPROVED:	MPS
5	1	POLYETHYLENE SAFETY GRATE C/W HARDWARE	SAFETY GRATE	LENGTH:	3,048MM (10'-0")	MFG:	DS
6				WORKING CAPACITY:	4,434 L (975 IG/1,170 USG)	QA:	GA
7				OVERALL CAPACITY:	4,546 L (1,000 IG/1,200 USG)	SALES:	TA



CLIENT: FRP/MOCOAT FIBERGLASS LTD.		REVISION	
TITLE: H1000 FRP SEWAGE HOLDING TANK		0	
FRP MOCOAT FIBERGLASS LTD.		SIZE: C	DRAWING NUMBER: H1000
SCALE: 1:20	WEIGHT:	SHEET 1/1	
BURIAL DEPTH:	RATED 7'-0"		