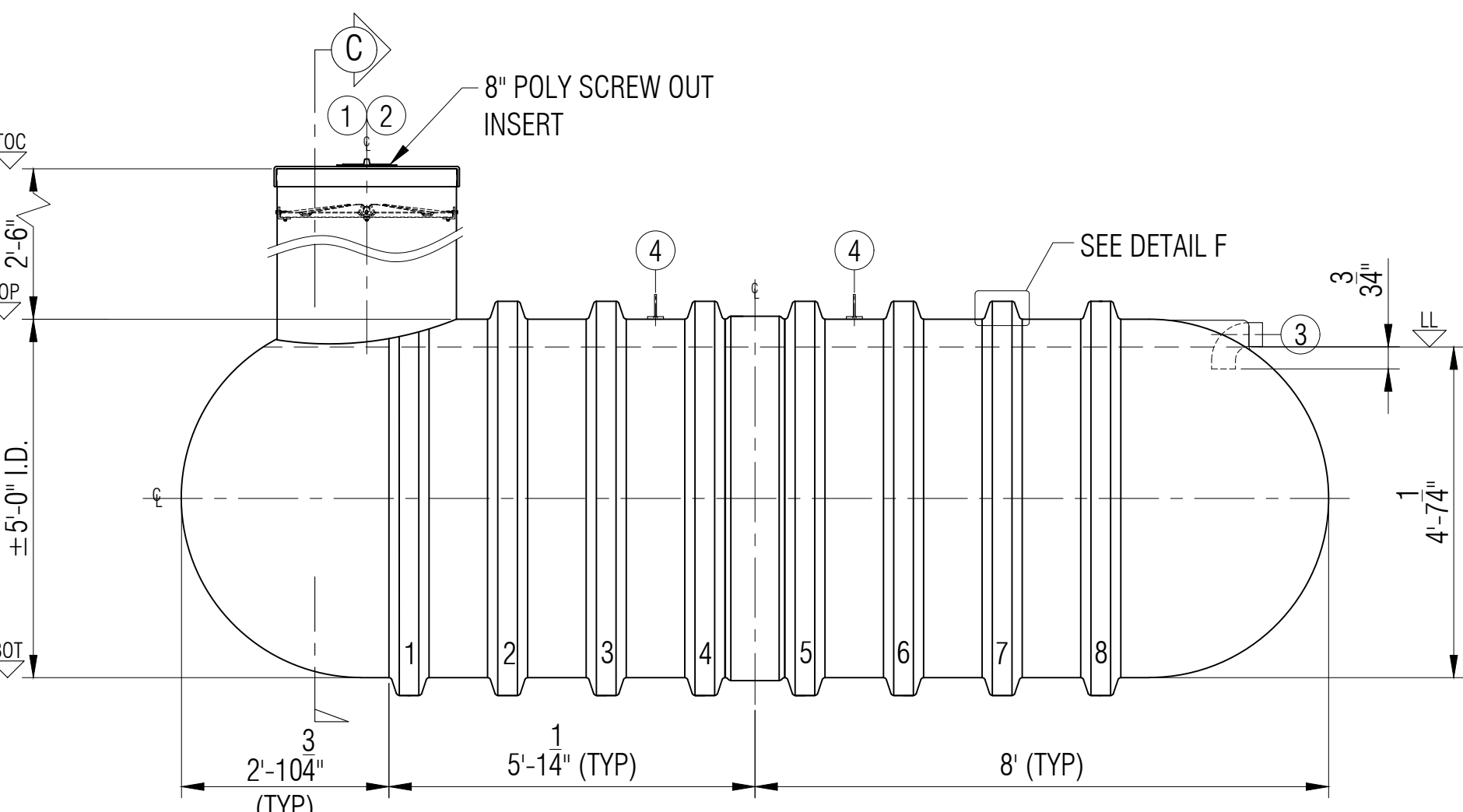
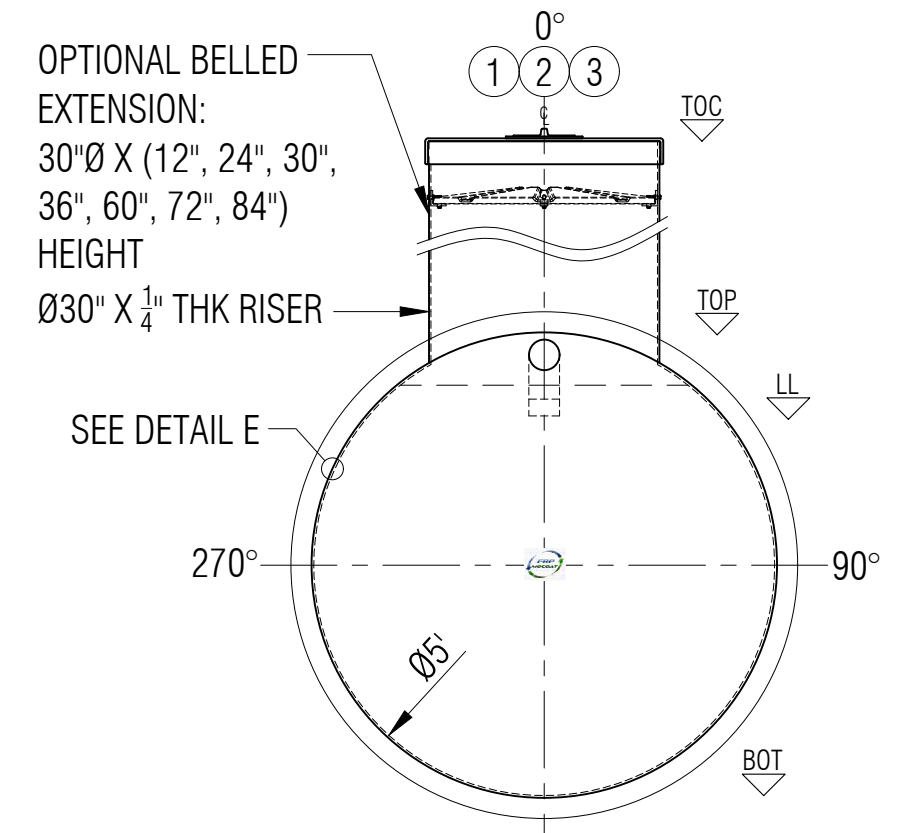


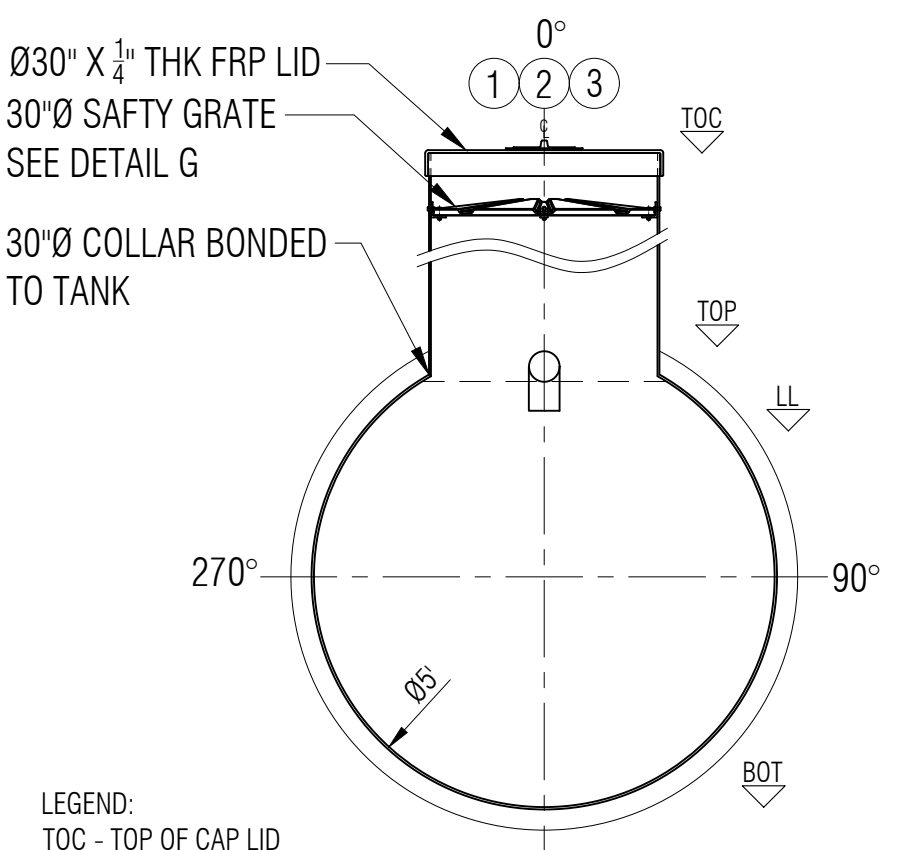
PLAN



ELEVATION A

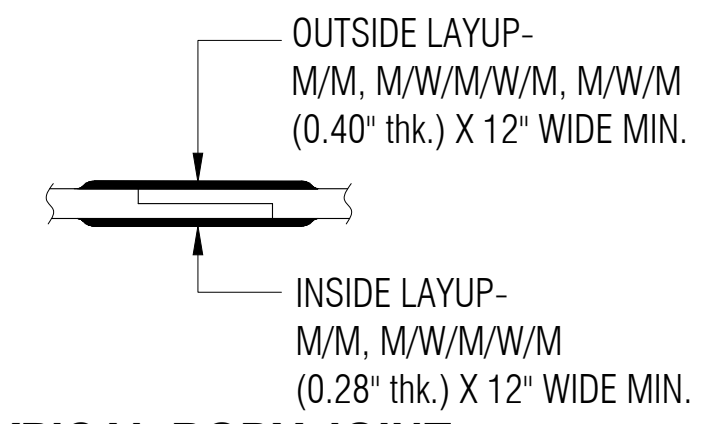


ELEVATION B

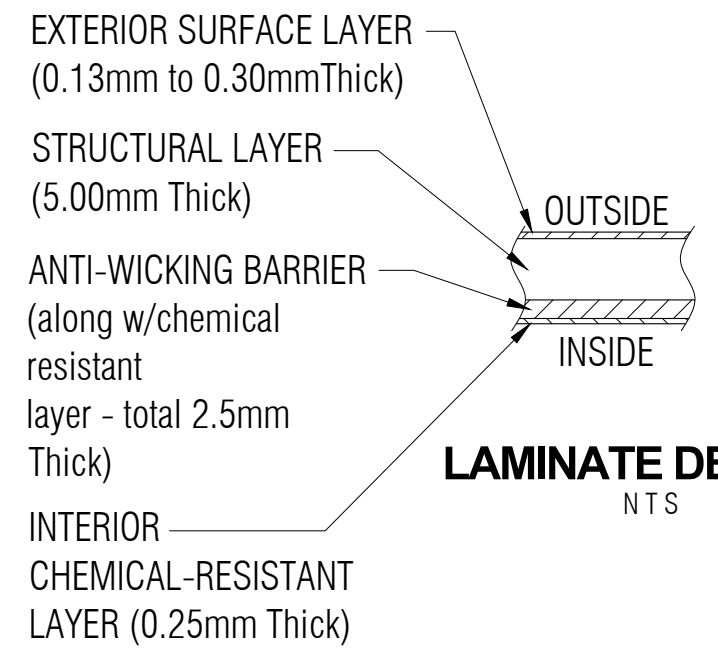


SECTION C

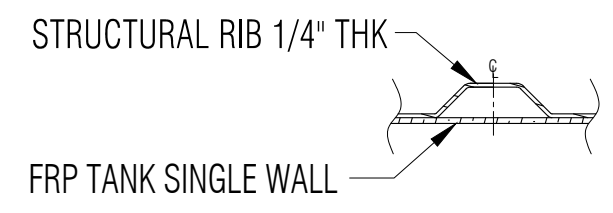
LEGEND:
 TOC - TOP OF CAP LID
 TOF - TOP OF FLANGE
 TOP - TOP CYLINDER
 BOT - BOTTOM CYLINDER
 I/S - INSIDE
 LL - LIQUID LEVEL
 O.A.H.-OVERALL HEIGHT
 O.A.L.-OVERALL LENGTH
 I/S - INSIDE
 O/S - OUTSIDE
 Ø - DIAMETER
 ° - DEGREE/S
 TYP- TYPICAL
 CL - CENTER LINE
 NTS - NOT TO SCALE



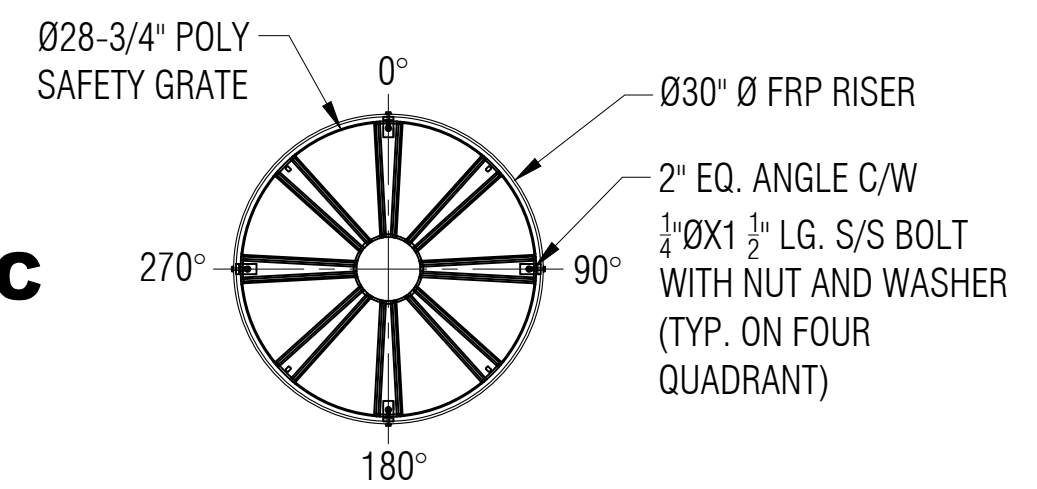
TYPICAL BODY JOINT DETAIL D
NTS



LAMINATE DETAIL E
NTS



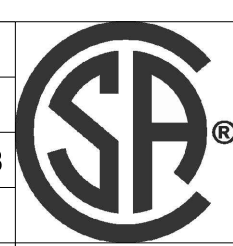
RIB LAMINATE DETAIL F
NTS



SAFETY GRATE DETAIL G
SCALE: 1:15

GENERAL NOTES:
 - CSA B66 CERTIFIED FRP SEWAGE HOLDING TANK.
 - RATED FOR 2' OF BURIAL DEPTH AND NO TRAFFIC LOADING.
 -- ALL DRILLED HOLES FLANGES TO BE COATED WITH RESIN.
 - SAFETY DEVISE CAN WITHSTAND 91 KG. OF DEAD LOAD.
 - DIMENSIONS SHOWN IN FEET INCHES FORMAT OTHERWISE NOTED.
 - 1/2" FABRICATION TOLERANCE. DOES NOT APPLY TO LAMINATE THICKNESS.

ITEM#	QTY	PART LIST	DESCRIPTION	SHELL THICKNESS: 0.280"	DRAWN: ATF
1	1	30" CAP LID W/ 8"Ø POLY SCREW OUT INSERT	FPR LID	DISH HEAD THICKNESS: 0.280"	CHECKED:
2	1	30"Ø MANWAY COLLAR	30"Ø FRP MANWAY	RIBS THICKNESS: 0.25" WITH 1 WR	DATE: JUNE 12, 2023
3	1	4" PVC-DWV 90°	INLET	RIB SPACING: 16-1/2" CL TO CL	DESIGNED:
4	2	MID STEEL	LIFT LUGS	WEIGHT: 397KG (875LBS)	APPROVED: MPS
5	1	POLYETHYLENE SAFETY GRATE C/W HARDWARE	SAFETY GRATE	LENGTH: 4,877MM (16'-0")	MFG: DS
6				WORKING CAPACITY: 7,594 L (1,670 IG/2,004 USG)	QA: GA
7				OVERALL CAPACITY: 7,955 L (1,750 IG/2,100 USG)	SALES: TA



CLIENT: FRP/MOCOAT FIBERGLASS LTD.
 TITLE: **H1750-SB FRP SEWAGE HOLDING TANK**

FRP MOCOAT FIBERGLASS LTD.

SIZE: C	DRAWING NUMBER: H1750-SB	REVISION: 0
SCALE: 1:25	WEIGHT:	SHEET: 1/1
BURIAL DEPTH:	RATED 2'-0"	