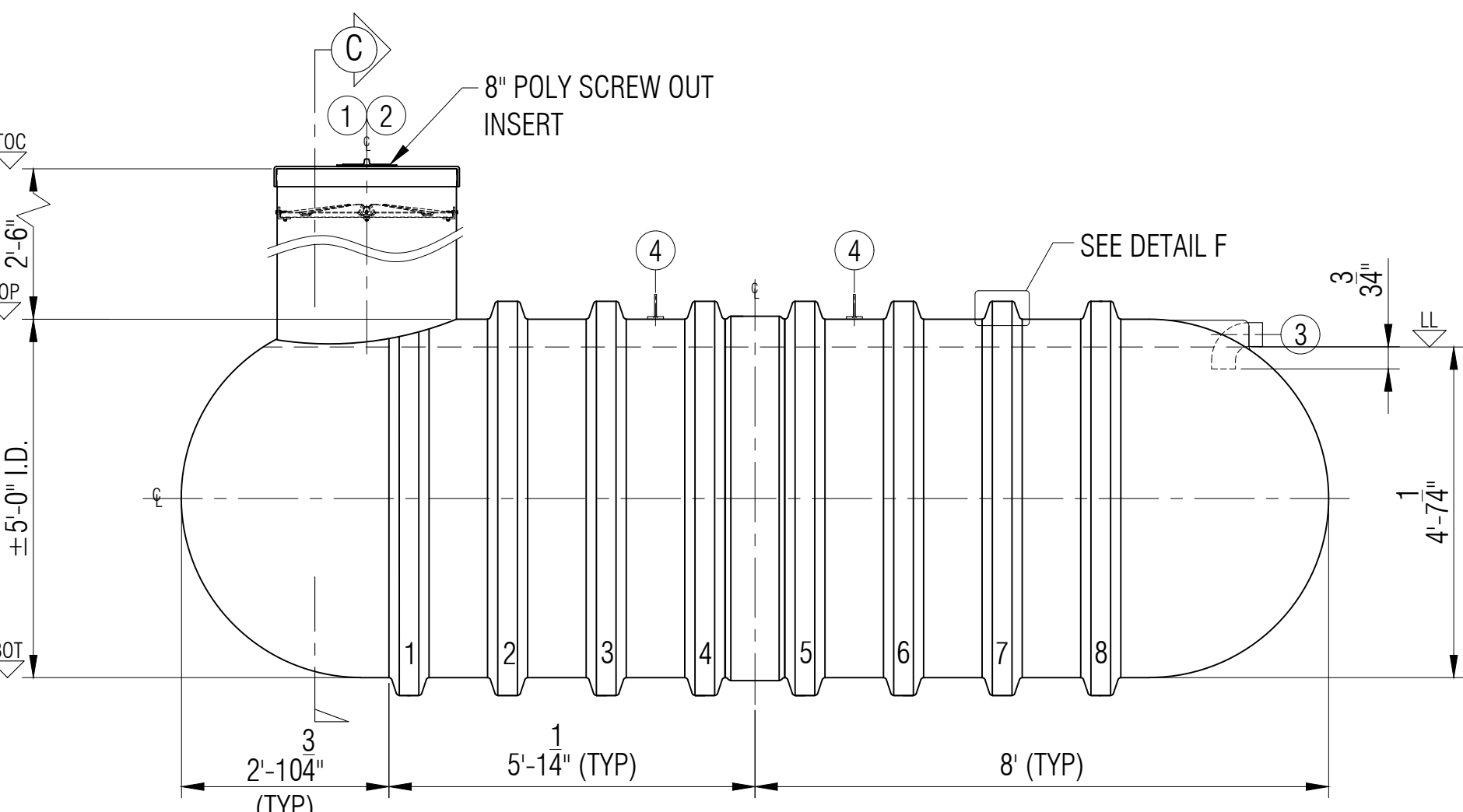
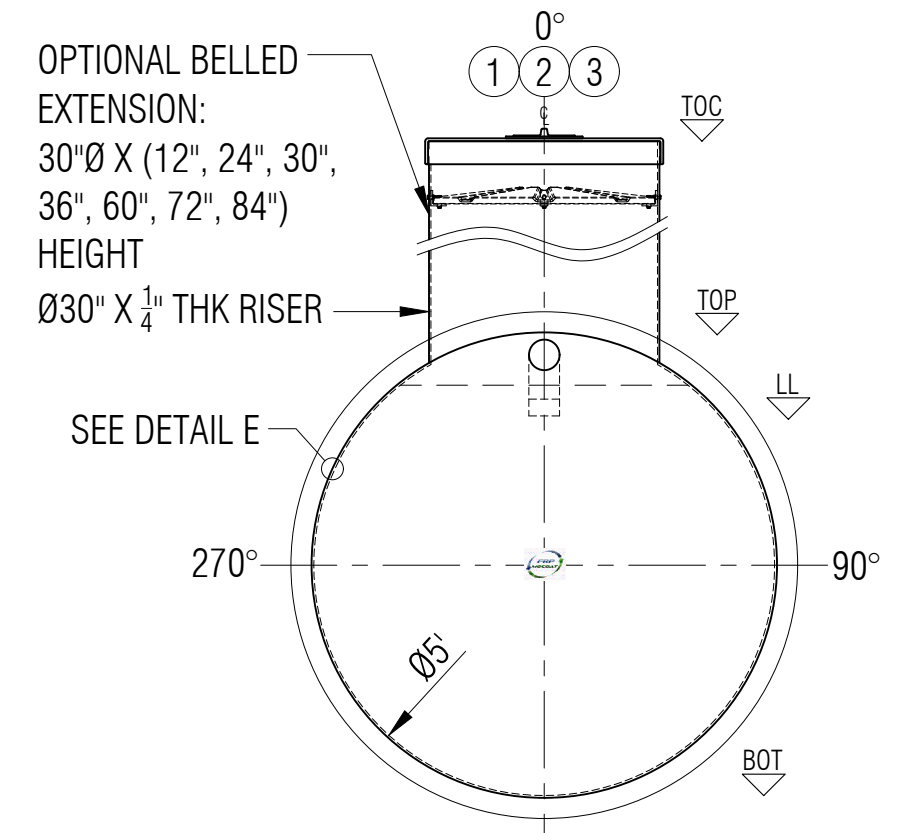


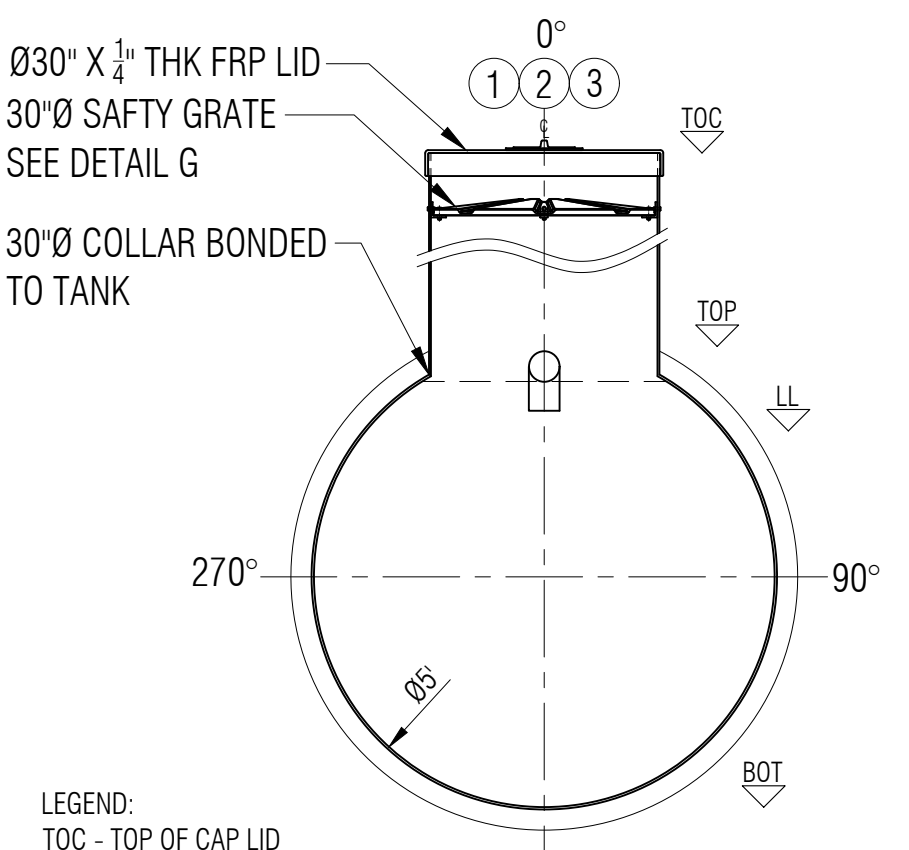
PLAN



ELEVATION A

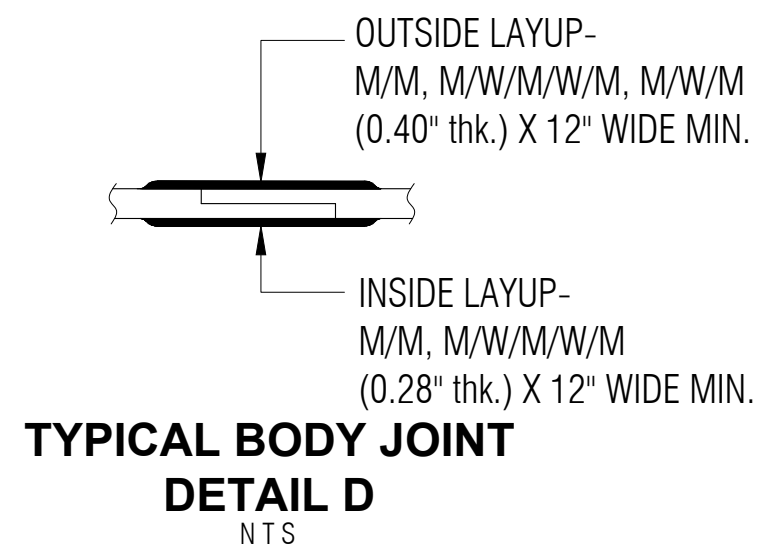


ELEVATION B

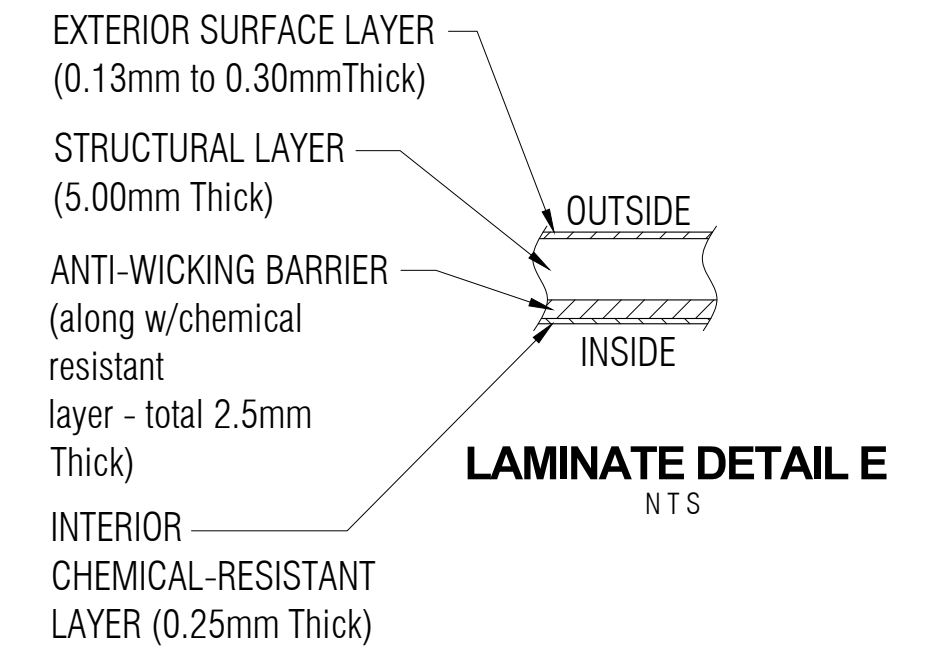


SECTION C

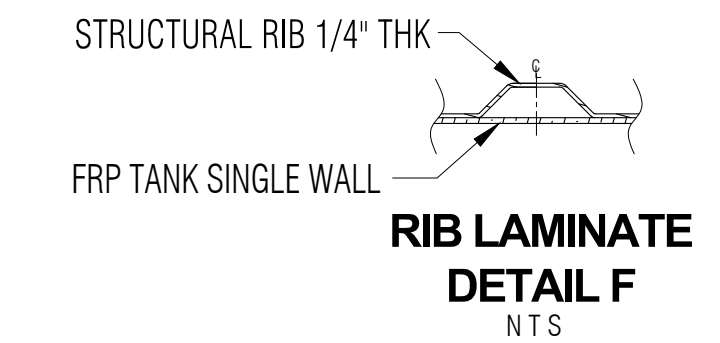
LEGEND:
 TOC - TOP OF CAP LID
 TOF - TOP OF FLANGE
 TOP - TOP CYLINDER
 BOT - BOTTOM CYLINDER
 I/S - INSIDE
 LL - LIQUID LEVEL
 O.A.H.-OVERALL HEIGHT
 O.A.L.-OVERALL LENGTH
 I/S - INSIDE
 O/S - OUTSIDE
 Ø - DIAMETER
 ° - DEGREE/S
 TYP- TYPICAL
 CL - CENTER LINE
 NTS - NOT TO SCALE



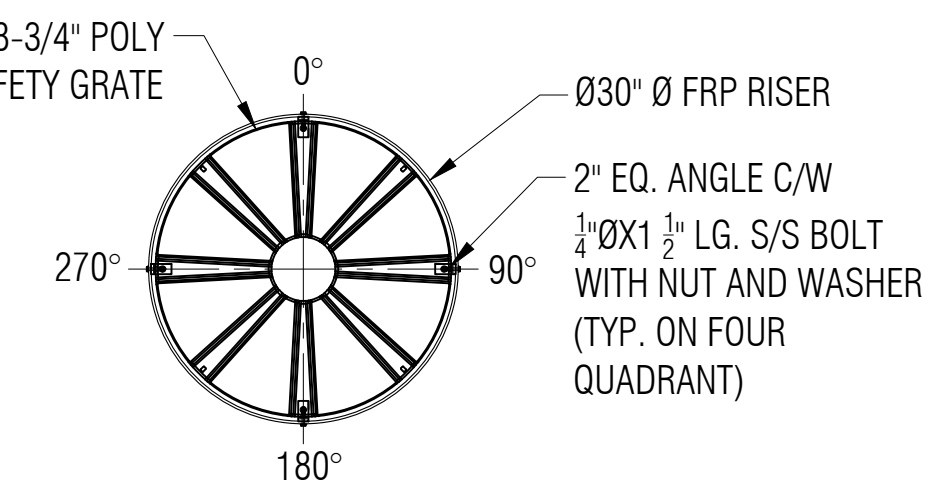
TYPICAL BODY JOINT DETAIL D
NTS



LAMINATE DETAIL E
NTS



RIB LAMINATE DETAIL F
NTS



SAFETY GRATE DETAIL G
SCALE: 1:15

GENERAL NOTES:
 - CSA B66 CERTIFIED FRP SEWAGE HOLDING TANK.
 - RATED FOR 7' OF BURIAL DEPTH AND NO TRAFFIC LOADING.
 - ALL DRILLED HOLES FLANGES TO BE COATED WITH RESIN.
 - SAFETY DEVISE CAN WITHSTAND 91 KG. OF DEAD LOAD.
 - DIMENSIONS SHOWN IN FEET INCHES FORMAT OTHERWISE NOTED.
 - 1/2" FABRICATION TOLERANCE. DOES NOT APPLY TO LAMINATE THICKNESS.

| ITEM# | QTY | PART LIST | DESCRIPTION | SHELL THICKNESS: 0.300" | DRAWN: ATF |
|-------|-----|--|-----------------|--|---------------------|
| 1 | 1 | 30" CAP LID W/ 8"D POLY SCREW OUT INSERT | FPR LID | DISH HEAD THICKNESS: 0.300" | CHECKED: |
| 2 | 1 | 30"Ø MANWAY COLLAR | 30"Ø FRP MANWAY | RIBS THICKNESS: 0.25" WITH 1 WR | DATE: JUNE 12, 2023 |
| 3 | 1 | 4" PVC-DWV 90° | INLET | RIB SPACING: 16-1/2" CL TO CL | DESIGNED: |
| 4 | 2 | MID STEEL | LIFT LUGS | WEIGHT: 397KG (875LBS) | APPROVED: MPS |
| 5 | 1 | POLYETHYLENE SAFETY GRATE C/W HARDWARE | SAFETY GRATE | LENGTH: 4,877MM (16'-0") | MFG: DS |
| 6 | | | | WORKING CAPACITY: 7,594 L (1,670 IG/2,004 USG) | QA: GA |
| 7 | | | | OVERALL CAPACITY: 7,955 L (1,750 IG/2,100 USG) | SALES: TA |



CLIENT: FRP/MOCOAT FIBERGLASS LTD.
 TITLE: **H1750 FRP SEWAGE HOLDING TANK**
FRP MOCOAT
 FIBERGLASS LTD.

| | | |
|---------------|-----------------------|-------------|
| SIZE: C | DRAWING NUMBER: H1750 | REVISION: 0 |
| SCALE: 1:25 | WEIGHT: | SHEET: 1/1 |
| BURIAL DEPTH: | RATED 7'-0" | |