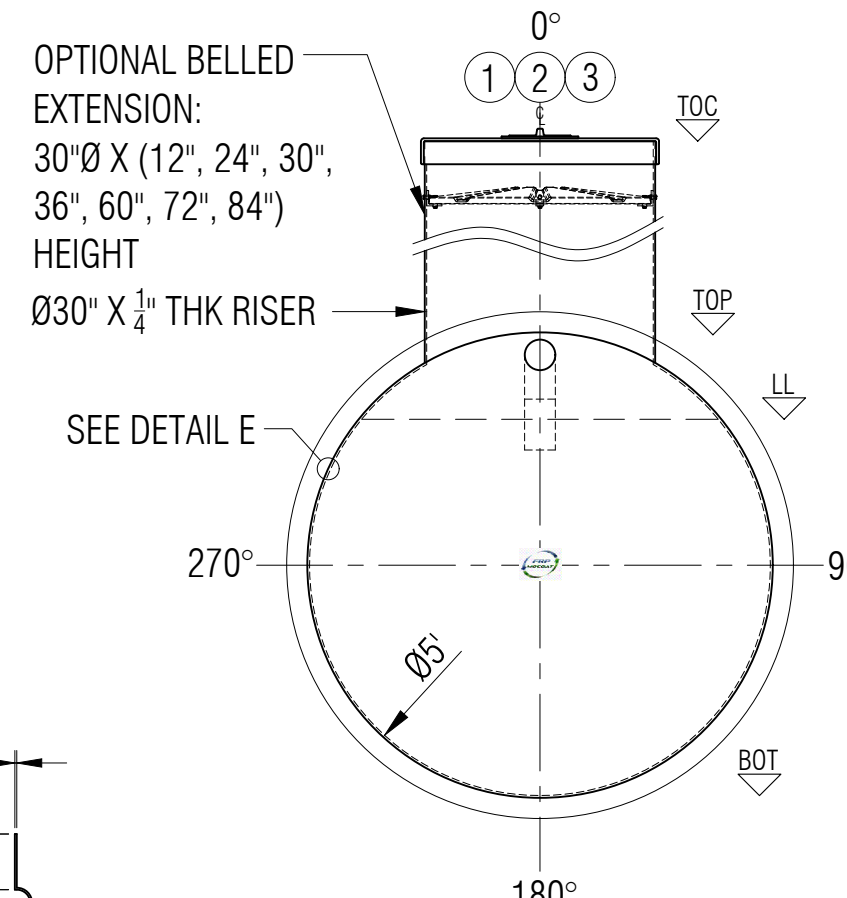
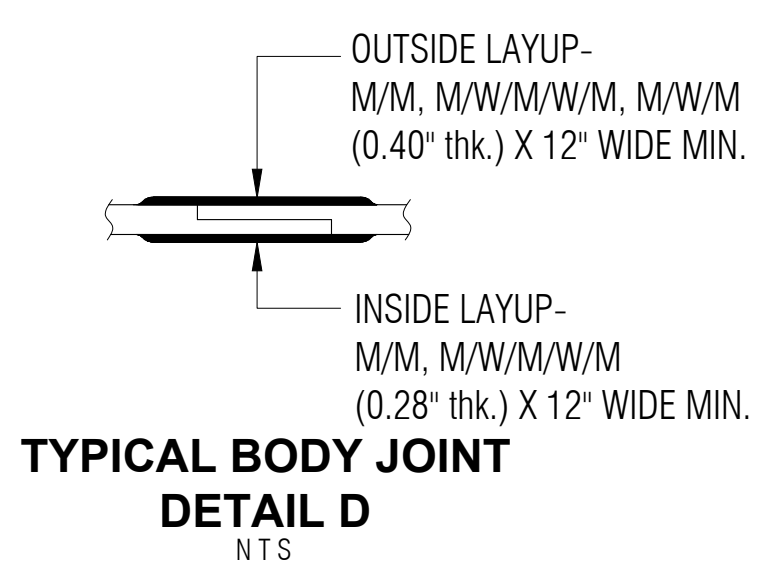


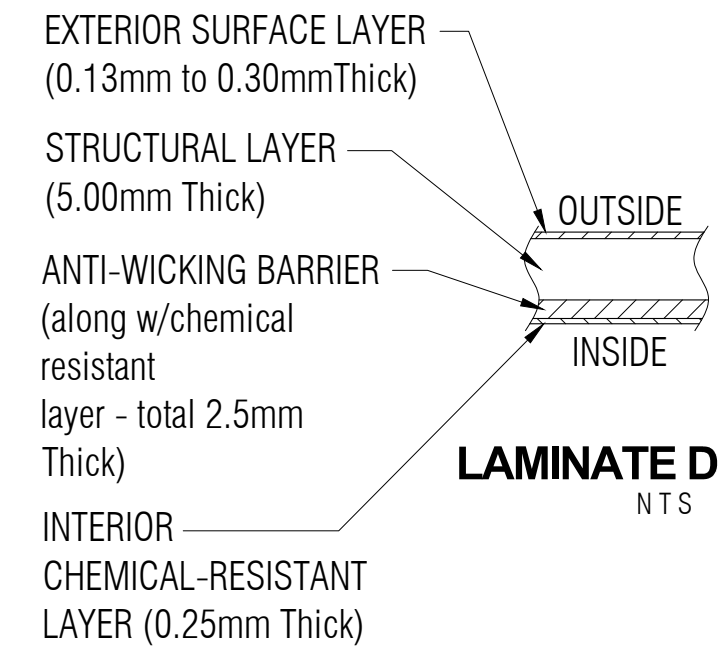
PLAN



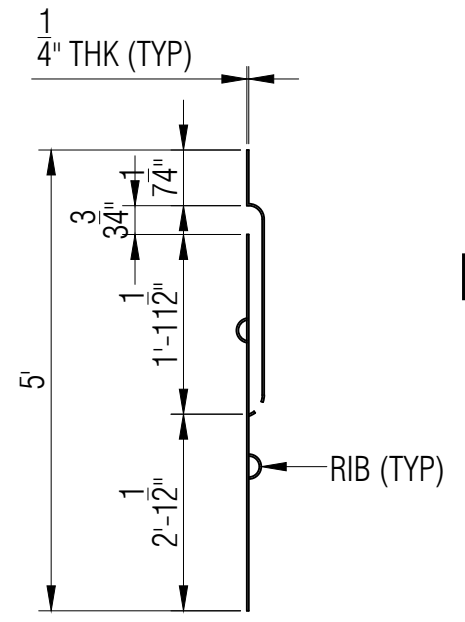
ELEVATION B



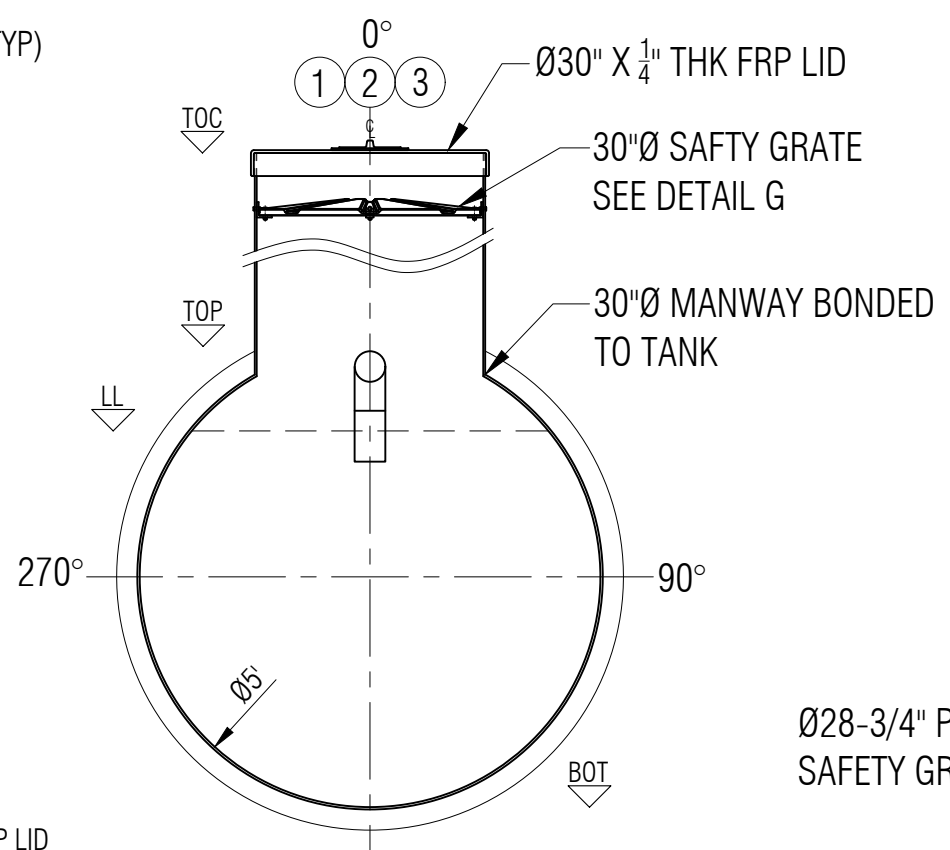
**TYPICAL BODY JOINT
DETAIL D**
NTS



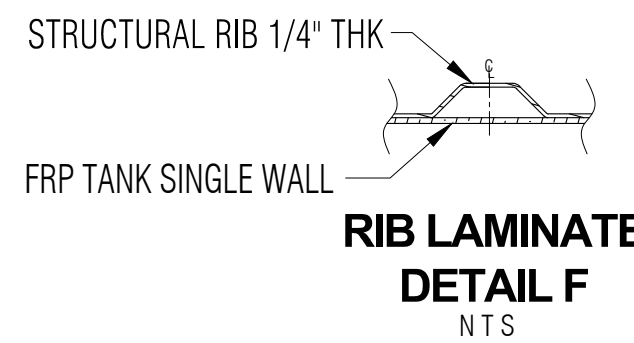
LAMINATE DETAIL E
NTS



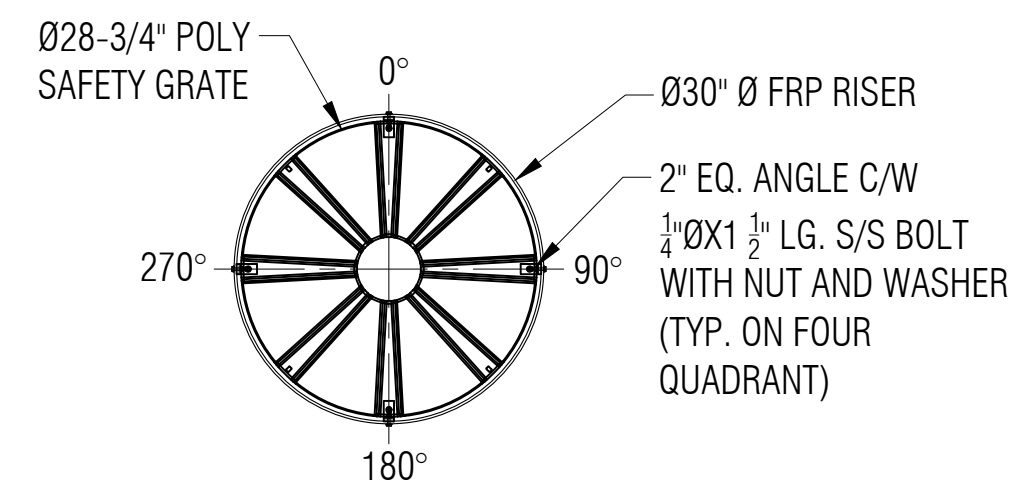
**SIPHON/BAFFLE
DETAIL H**



SECTION C

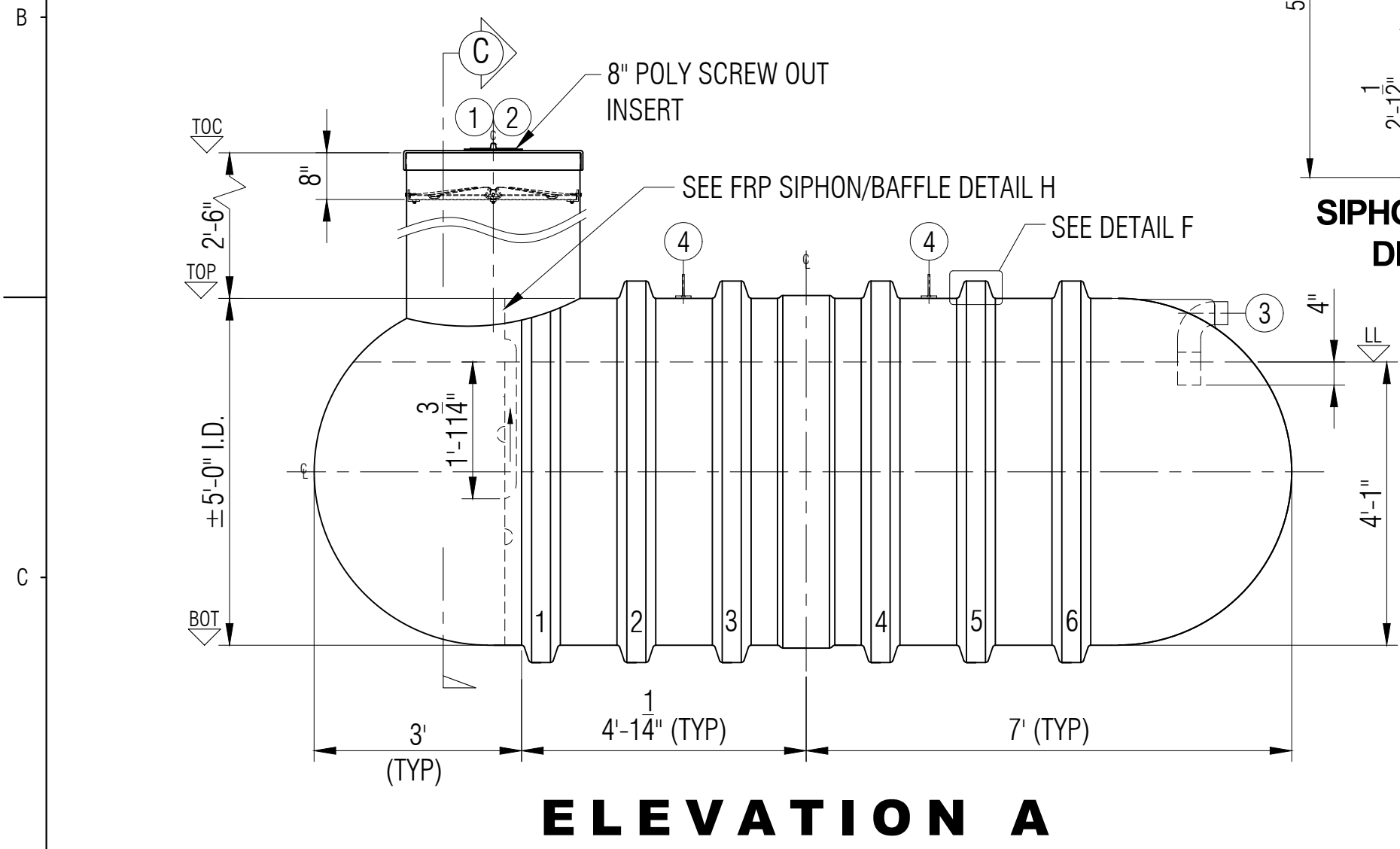


**RIB LAMINATE
DETAIL F**
NTS



**SAFETY GRATE
DETAIL G**
SCALE: 1:15

LEGEND:
 TOC - TOP OF CAP LID
 TOF - TOP OF FLANGE
 TOP - TOP CYLINDER
 BOT - BOTTOM CYLINDER
 I/S - INSIDE
 LL - LIQUID LEVEL
 O.A.H. - OVERALL HEIGHT
 O.A.L. - OVERALL LENGTH
 I/S - INSIDE
 O/S - OUTSIDE
 Ø - DIAMETER
 ° - DEGREE/S
 TYP - TYPICAL
 CL - CENTER LINE
 NTS - NOT TO SCALE



ELEVATION A

GENERAL NOTES:
 - CSA B66 CERTIFIED FRP SEPTIC TANK.
 - RATED FOR 12' OF BURIAL DEPTH AND NO TRAFFIC LOADING.
 - BAFFLE WALL IS INSTALLED. VOLUMES ARE APPROXIMATE.
 - ALL DRILLED HOLES FLANGES TO BE COATED WITH RESIN.
 - SAFETY DEVICE CAN WITHSTAND 91 KG. OF DEAD LOAD.
 - DIMENSIONS SHOWN IN FEET INCHES FORMAT OTHERWISE NOTED.
 - 1/2" FABRICATION TOLERANCE. DOES NOT APPLY TO LAMINATE THICKNESS.

ITEM#	QTY	PART LIST	DESCRIPTION	SHELL THICKNESS:	0.346"	DRAWN:	ATF
1	1	30" CAP LID W/ 8" D POLY SCREW OUT INSERT	FRP LID	DOME HEAD THICKNESS:	0.351"	CHECKED:	
2	1	30"Ø MANWAY COLLAR	30"Ø FRP MANWAY	RIBS THICKNESS:	0.30" WITH 1 WR	DATE:	JUNE 19, 2023
3	1	4" PVC-DWV 90°	INLET	WEIGHT:	453KG (1,000LBS)	DESIGNED:	
4	1	FRP FULL BAFFLE WALL W/ REINFORCEMENT	BAFFLE WALL	LENGTH:	4,267MM (14'-0")	APPROVED:	MPS
5	2	MILD STEEL LUGS	LIFT LUGS	SEPTIC CHAMBER:	5,092L (1,120IG/1,344 USG)	MFG:	DS
6	1	POLYETHYLENE SAFETY GRATE C/W HARDWARE	SAFETY GRATE	EFFLUENT CHAMBER:	963L (212IG/254 USG)	QA:	GA
7				OVERALL CAPACITY:	6,819L (1,500IG/1,800 USG)	SALES:	TA

CLIENT: FRP/MOCOAT FIBERGLASS LTD.
 TITLE: **P1500-DB FRP PUMPOUT TANK**

FRP MOCOAT
FIBERGLASS LTD.

SIZE: C	DRAWING NUMBER: P1500-DB	REVISION: 0
SCALE: 1:25	WEIGHT:	SHEET: 1/1
BURIAL DEPTH:	RATED 12'-0"	