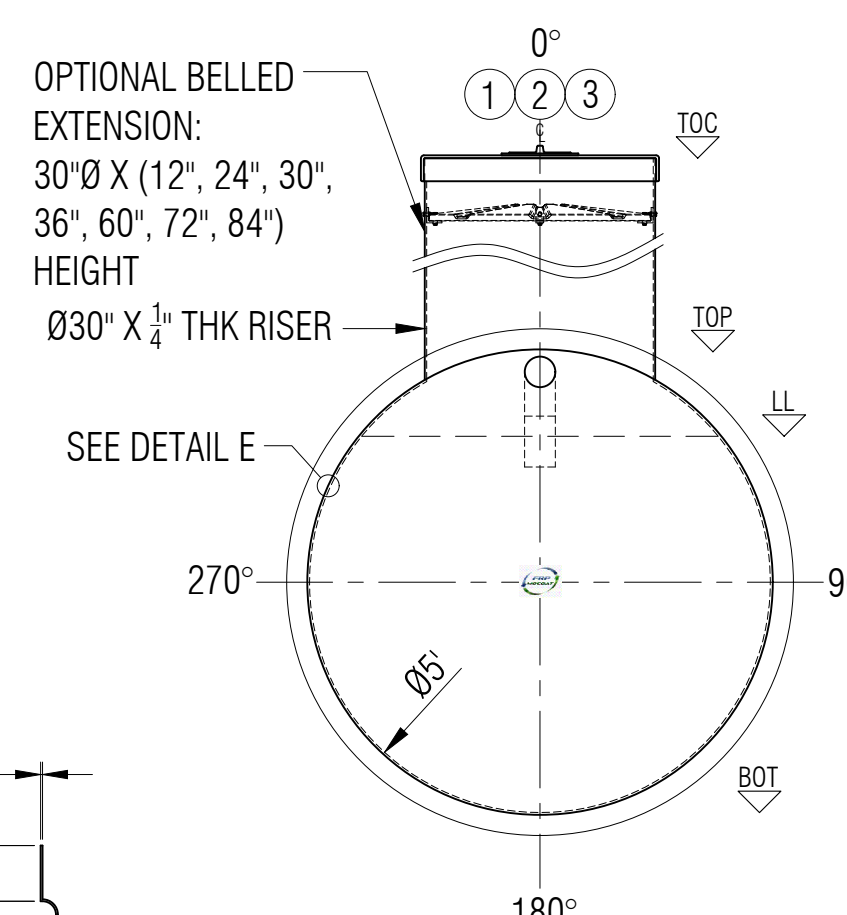
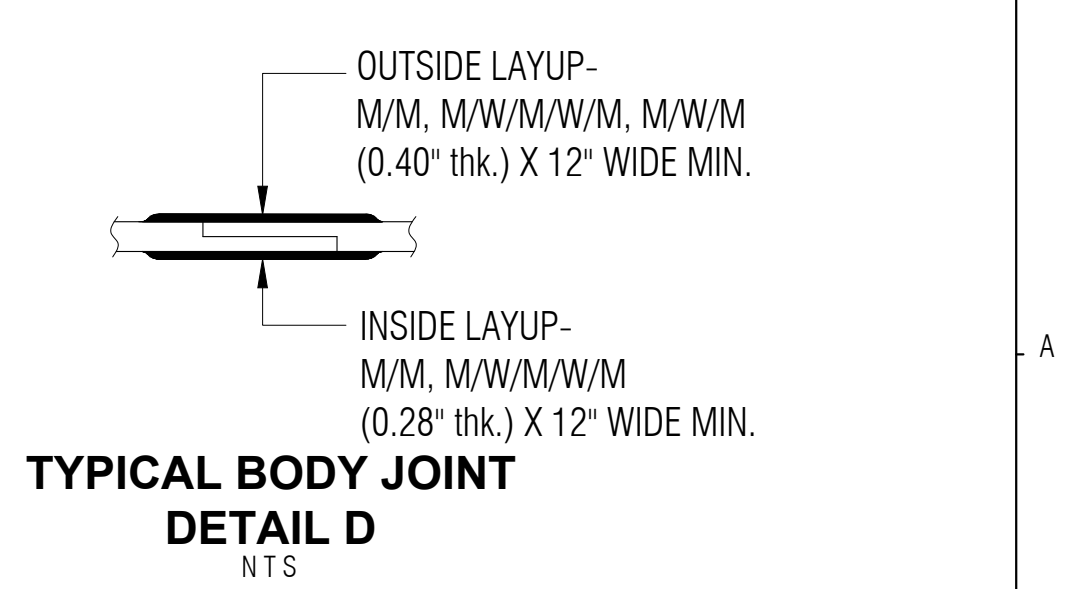


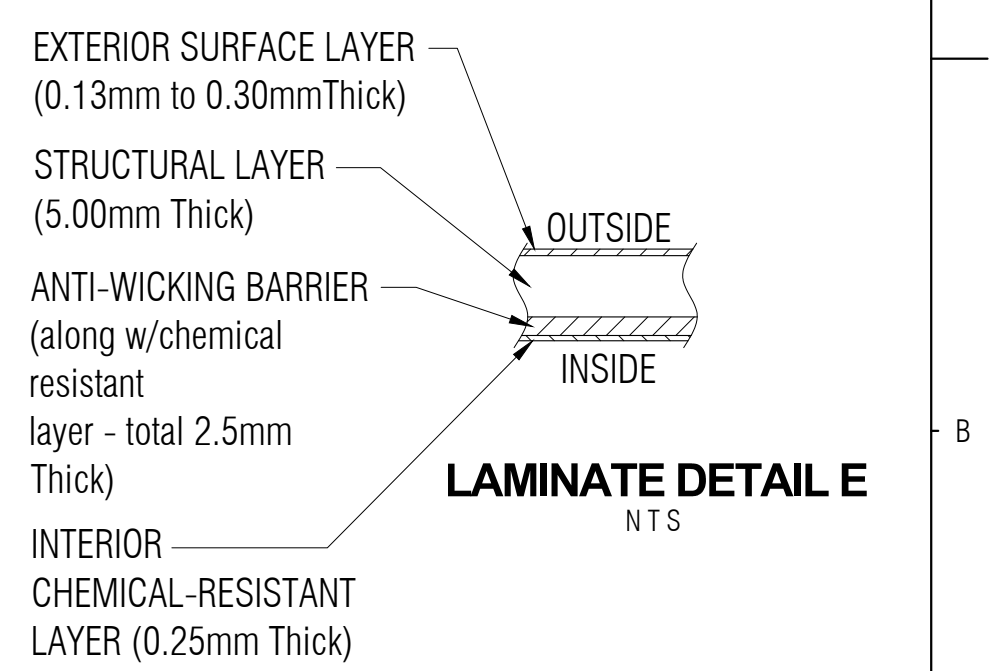
**PLAN**



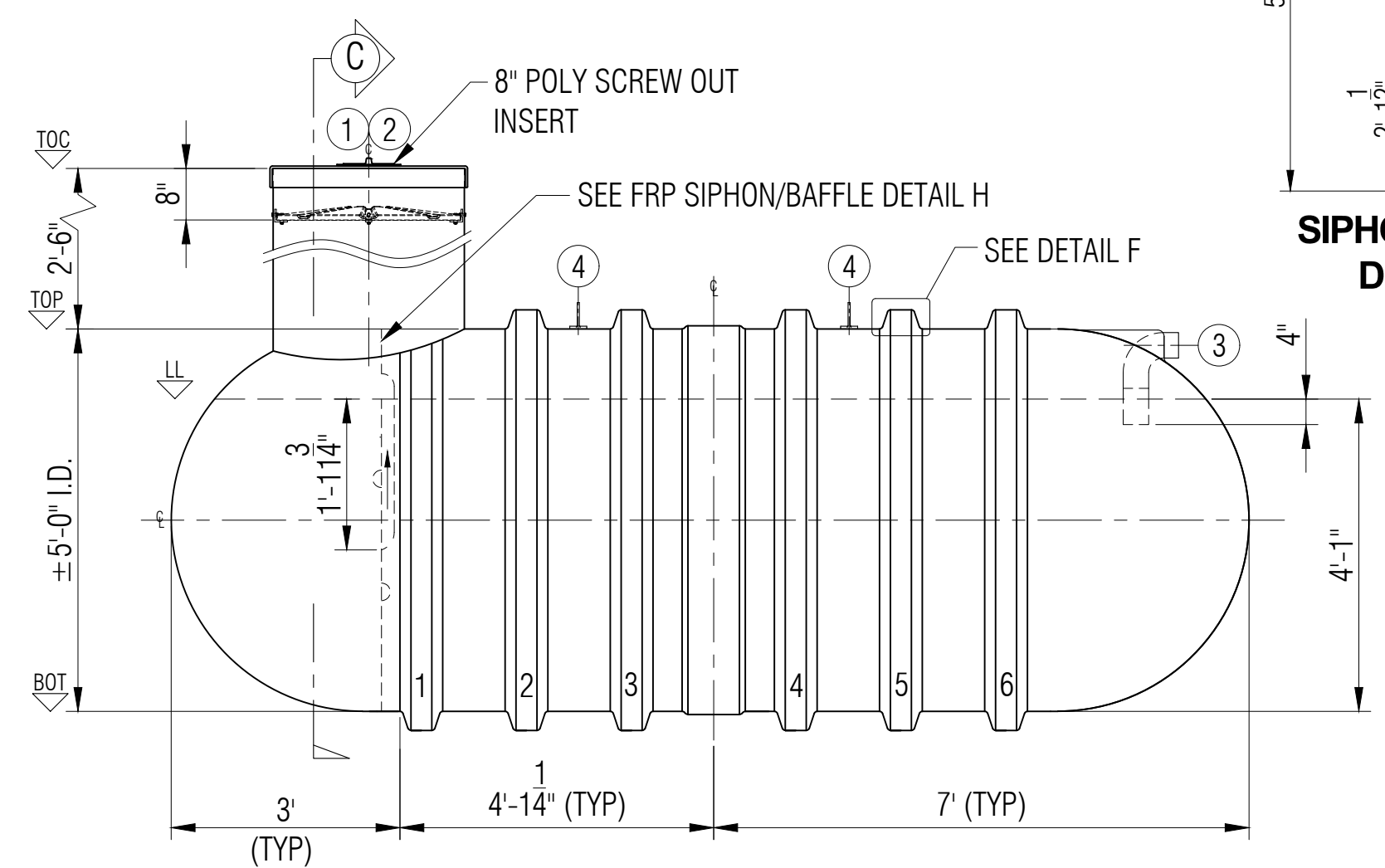
**ELEVATION B**



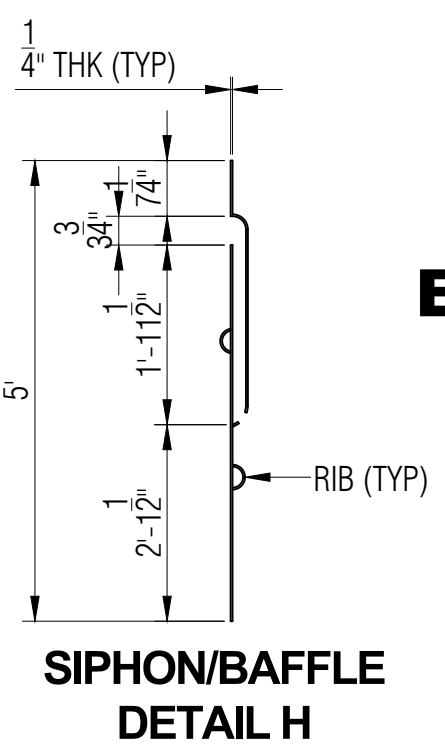
**TYPICAL BODY JOINT DETAIL D**  
NTS



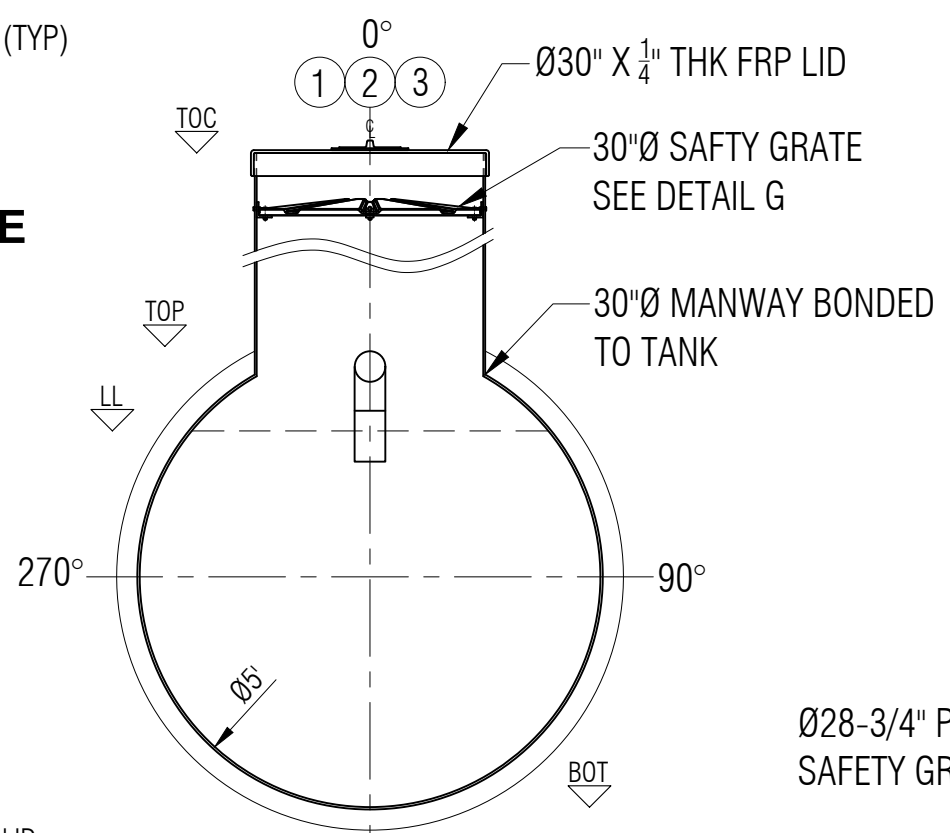
**LAMINATE DETAIL E**  
NTS



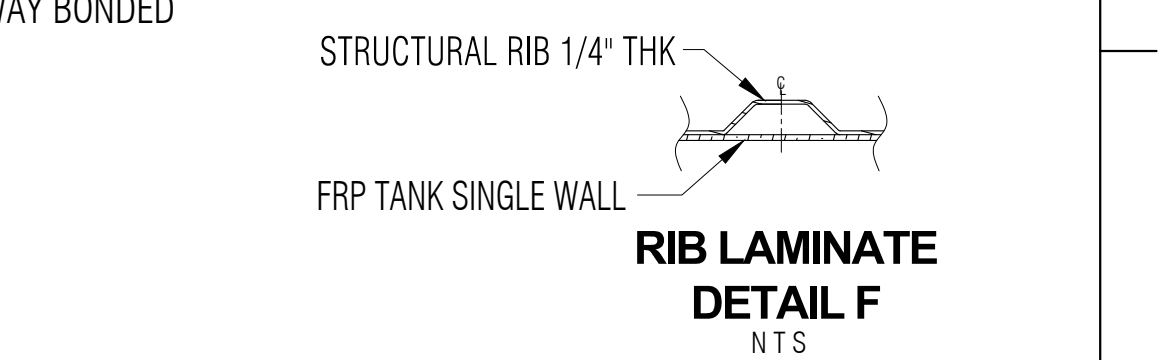
**ELEVATION A**



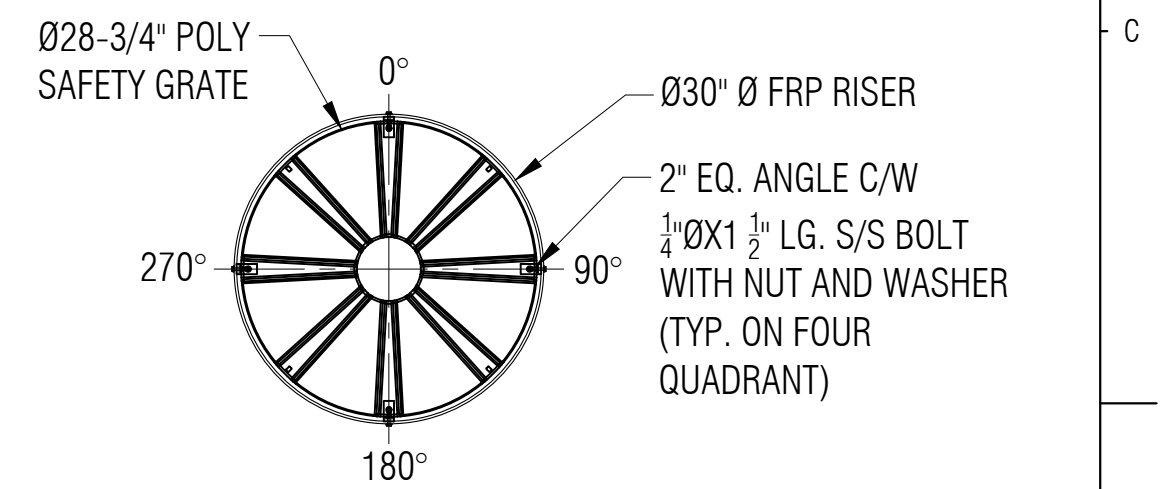
**SIPHON/BAFFLE DETAIL H**



**SECTION C**



**RIB LAMINATE DETAIL F**  
NTS

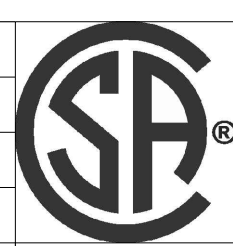


**SAFETY GRATE DETAIL G**  
SCALE: 1:15

LEGEND:  
 TOC - TOP OF CAP LID  
 TOF - TOP OF FLANGE  
 TOP - TOP CYLINDER  
 BOT - BOTTOM CYLINDER  
 I/S - INSIDE  
 LL - LIQUID LEVEL  
 O.A.H.-OVERALL HEIGHT  
 O.A.L.-OVERALL LENGTH  
 I/S - INSIDE  
 O/S - OUTSIDE  
 Ø - DIAMETER  
 ° - DEGREE/S  
 TYP- TYPICAL  
 CL - CENTER LINE  
 NTS - NOT TO SCALE

GENERAL NOTES:  
 - CSA B66 CERTIFIED FRP SEPTIC TANK.  
 - RATED FOR 2' OF BURIAL DEPTH AND NO TRAFFIC LOADING.  
 - BAFFLE WALL IS INSTALLED. VOLUMES ARE APPROXIMATE.  
 - ALL DRILLED HOLES FLANGES TO BE COATED WITH RESIN.  
 - SAFETY DEVISE CAN WITHSTAND 91 KG. OF DEAD LOAD.  
 - DIMENSIONS SHOWN IN FEET INCHES FORMAT OTHERWISE NOTED.  
 - 1/2" FABRICATION TOLERANCE. DOES NOT APPLY TO LAMINATE THICKNESS.

ITEM#	QTY	PART LIST	DESCRIPTION	SHELL THICKNESS:	0.280"	DRAWN:	ATF
1	1	30" CAP LID W/ 8" D POLY SCREW OUT INSERT	FRP LID	DISH HEAD THICKNESS:	0.280"	CHECKED:	
2	1	30" Ø MANWAY COLLAR	30" Ø FRP MANWAY	RIBS THICKNESS:	0.25" WITH 1 WR	DATE:	JULY 06, 2023
3	1	4" PVC-DWV 90°	INLET	WEIGHT:	397KG (875LBS)	DESIGNED:	
4	1	FRP FULL BAFFLE WALL W/ REINFORCEMENT	BAFFLE WALL	LENGTH:	4,267MM (14'-0")	APPROVED:	MPS
5	2	MILD STEEL LUGS	LIFT LUGS	SEPTIC CHAMBER:	5,092L (1,120IG/1,344 USG)	MFG:	DS
6	1	POLYETHYLENE SAFETY GRATE C/W HARDWARE	SAFETY GRATE	EFFLUENT CHAMBER:	963L (212IG/254 USG)	QA:	GA
7				OVERALL CAPACITY:	6,819L (1,500IG/1,800 USG)	SALES:	TA



CLIENT: FRP/MOCOAT FIBERGLASS LTD.		TITLE: <b>P1500-SB FRP PUMPOUT TANK</b>	
FRP MOCOAT FIBERGLASS LTD.		SIZE: C	DRAWING NUMBER: P1500-SB
SCALE: 1:25	WEIGHT:	REVISION: 0	SHEET: 1/1
BURIAL DEPTH:	RATED 2'-0"		