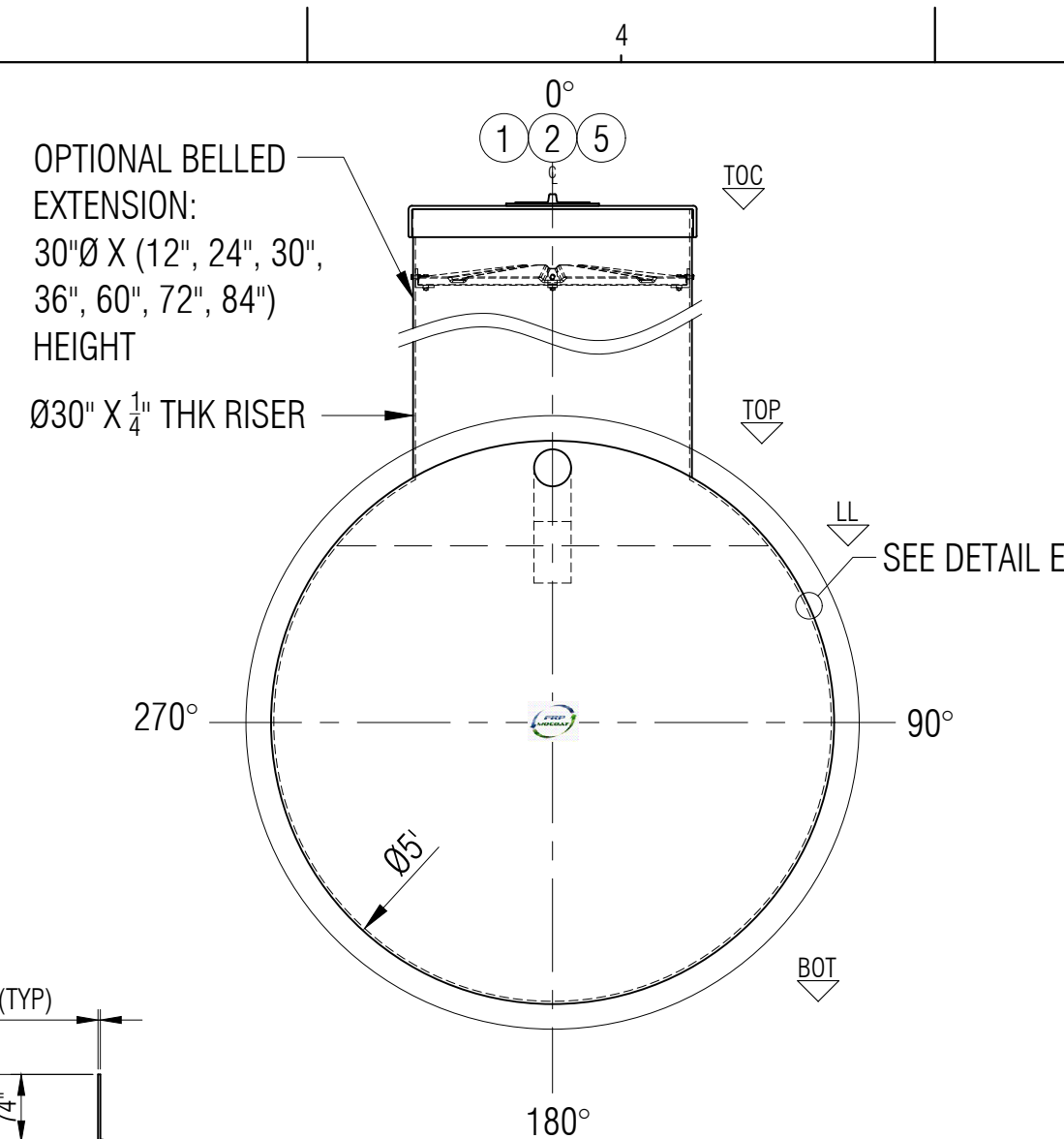
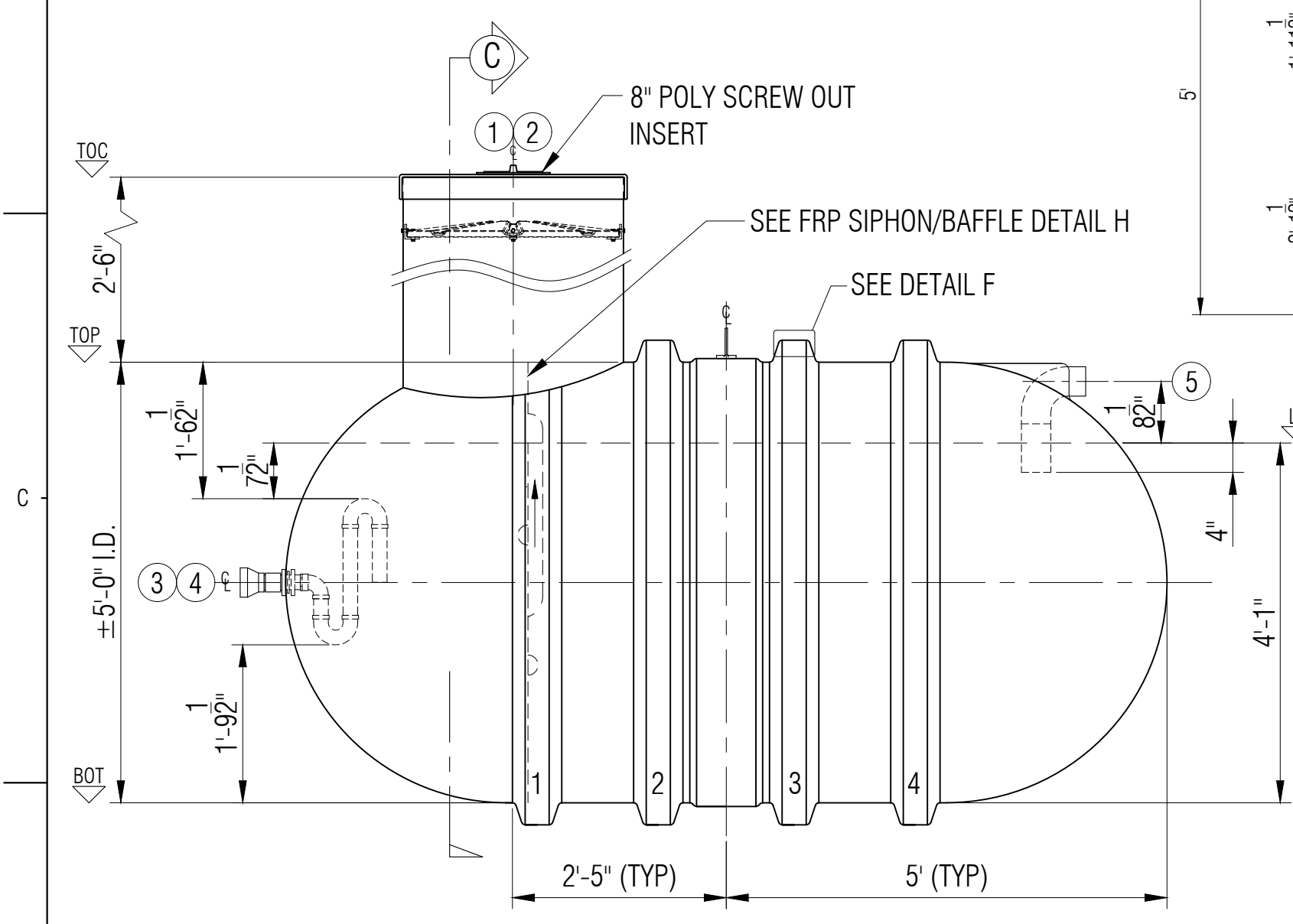


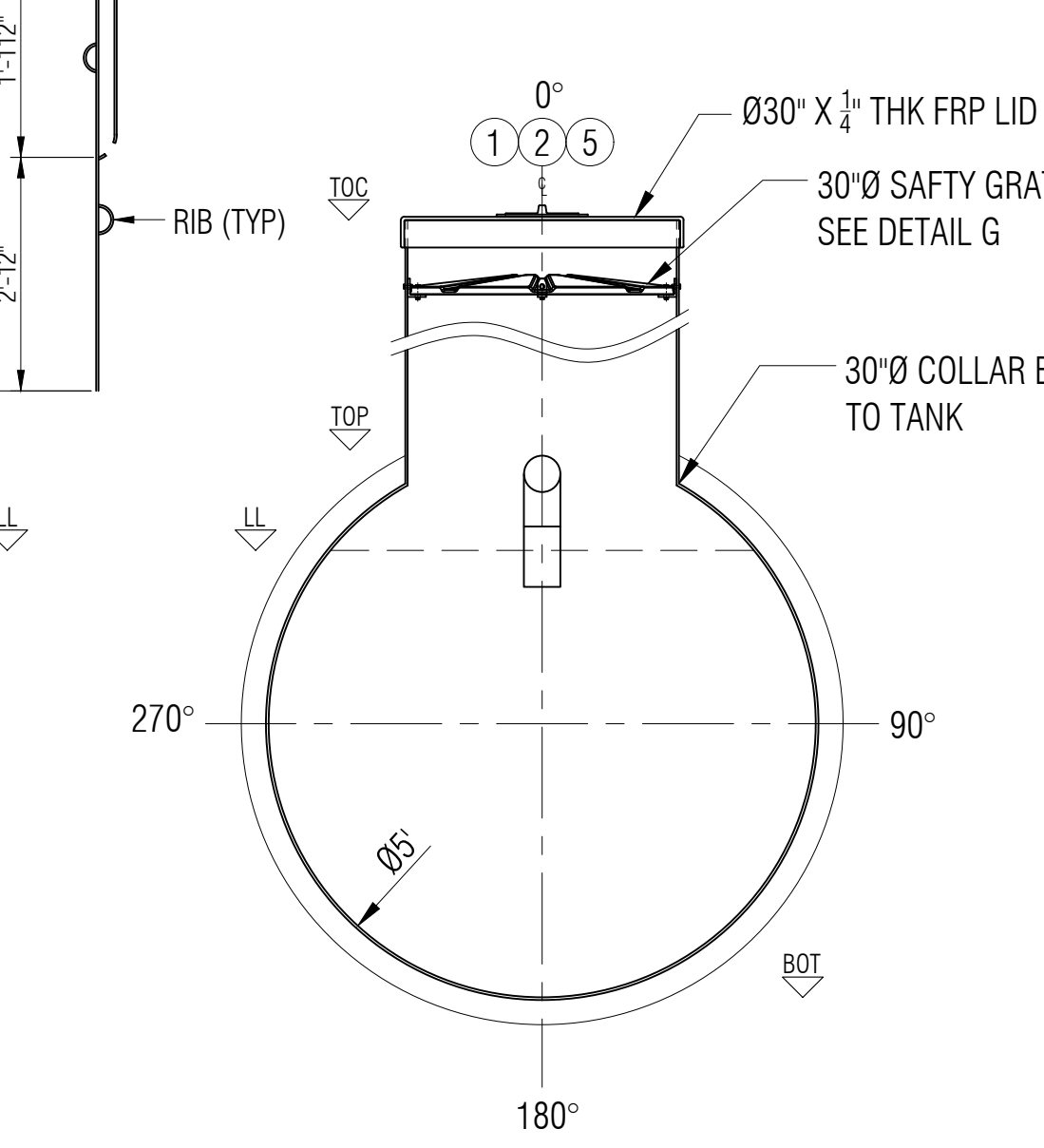
PLAN



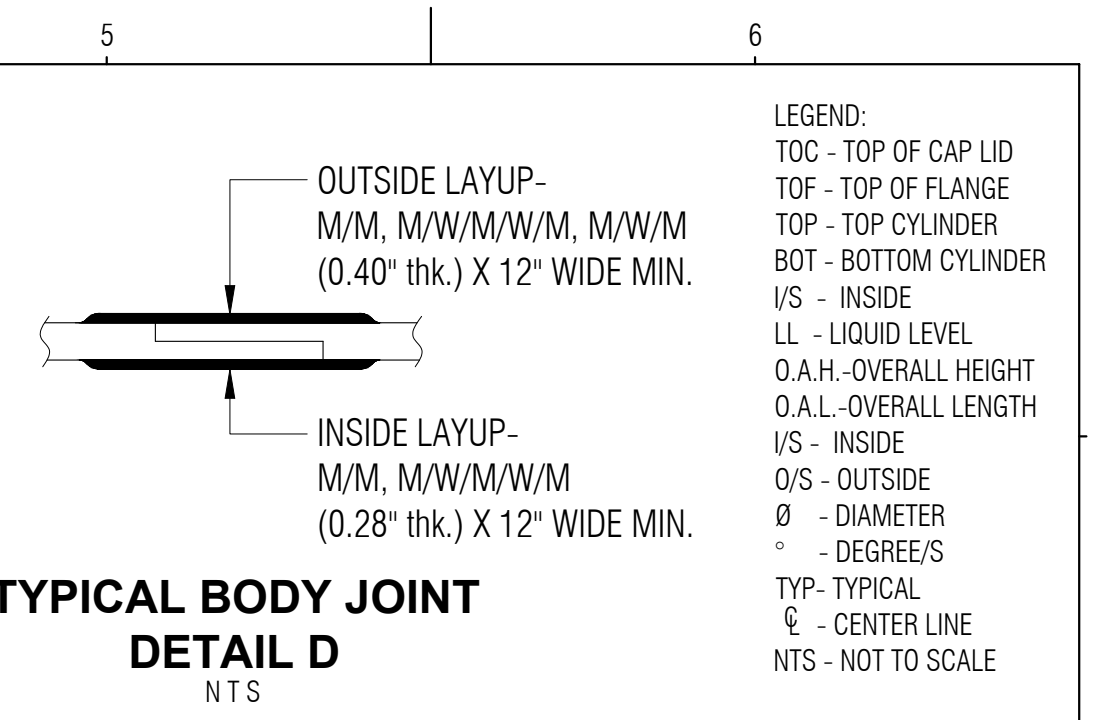
ELEVATION B



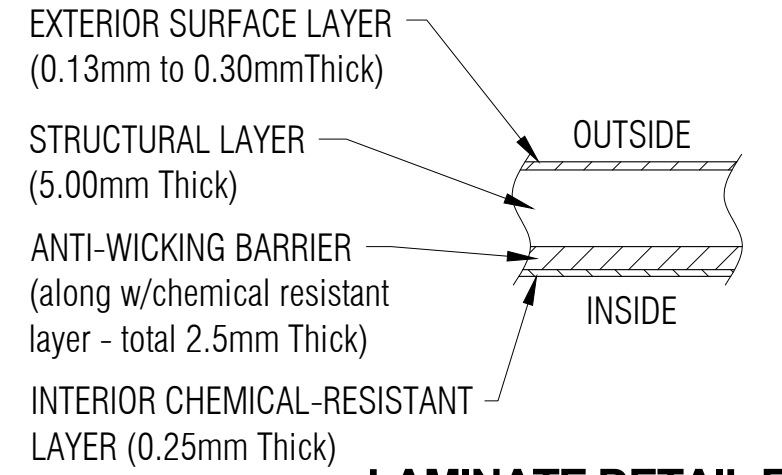
ELEVATION A



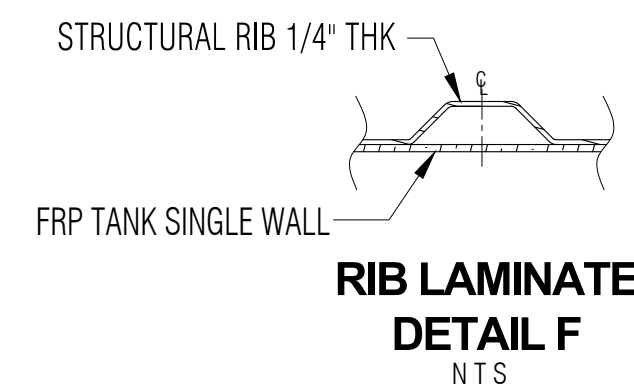
SECTION C



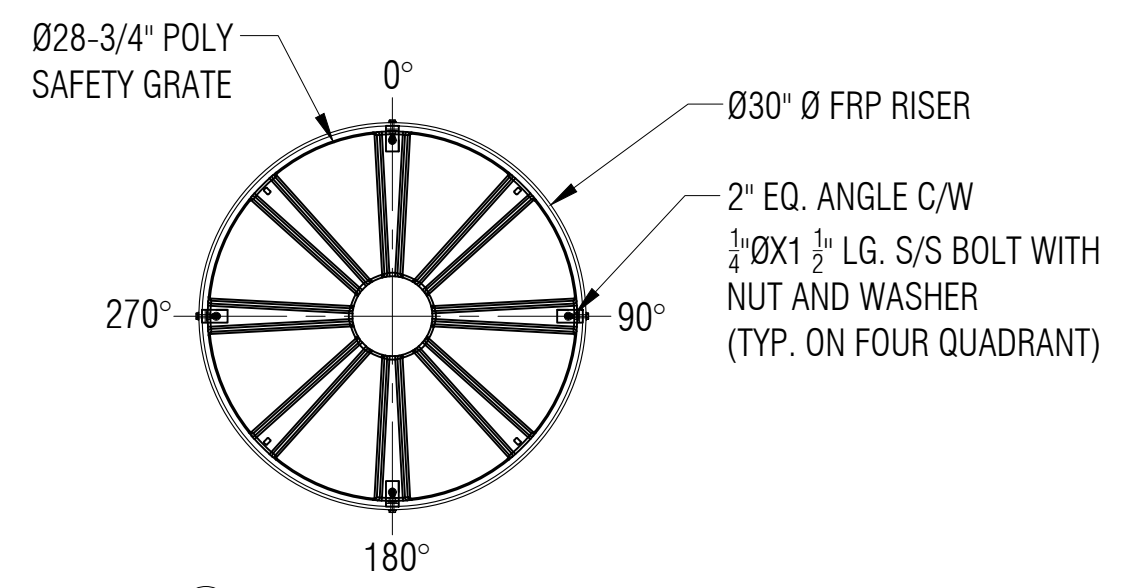
TYPICAL BODY JOINT DETAIL D
NTS



LAMINATE DETAIL E
NTS



RIB LAMINATE DETAIL F
NTS

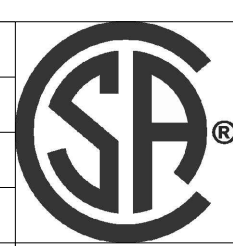


SAFETY GRATE DETAIL G
SCALE: 1:15

- LEGEND:**
 TOC - TOP OF CAP LID
 TOF - TOP OF FLANGE
 TOP - TOP CYLINDER
 BOT - BOTTOM CYLINDER
 I/S - INSIDE
 LL - LIQUID LEVEL
 O.A.H. - OVERALL HEIGHT
 O.A.L. - OVERALL LENGTH
 I/S - INSIDE
 O/S - OUTSIDE
 Ø - DIAMETER
 ° - DEGREE/S
 TYP - TYPICAL
 CL - CENTER LINE
 NTS - NOT TO SCALE

- GENERAL NOTES:**
 - CSA B66 CERTIFIED FRP SEPTIC TANK.
 - RATED FOR 7' OF BURIAL DEPTH AND NO TRAFFIC LOADING.
 - BAFFLE WALL IS INSTALLED. VOLUMES ARE APPROXIMATE.
 - ALL DRILLED HOLES FLANGES TO BE COATED WITH RESIN.
 - SAFETY DEVICE CAN WITHSTAND 91 KG. OF DEAD LOAD.
 - DIMENSIONS SHOWN IN FEET INCHES FORMAT OTHERWISE NOTED.
 - 1/2" FABRICATION TOLERANCE. DOES NOT APPLY TO LAMINATE THICKNESS.

ITEM#	QTY	PART LIST	DESCRIPTION	SHELL THICKNESS:	0.300"	DRAWN:	ATF
1	1	30" CAP LID W/ 8"Ø POLY SCREW OUT INSERT	FRP LID	DISH HEAD THICKNESS:	0.300"	CHECKED:	
2	1	30"Ø MANWAY COLLAR	30"Ø FRP MANWAY	RIBS THICKNESS:	0.25" WITH 1 WR	DATE:	MAY 19, 2023
3	1	2" PVC-DWV SIPHON	SIPHON-O	WEIGHT:	306KG (675LBS)	DESIGNED:	
4	1	2" PVC-DWV SIPHON INSIDE ASSEMBLY	SIPHON-I	LENGTH:	3,048MM (10'-0")	APPROVED:	MPS
5	1	4" PVC-DWV 90°	INLET	SEPTIC CHAMBER:	3,159L (695IG/834 USG)	MFG:	DS
6	1	FRP FULL BAFFLE WALL W/ REINFORCEMENT	BAFFLE WALL	EFFLUENT CHAMBER:	963L (212IG/254 USG)	QA:	GA
7	1	POLYETHYLENE SAFETY GRATE C/W HARDWARE	SAFETY GRATE	OVERALL CAPACITY:	4,546L (1,000IG/1,200 USG)	SALES:	TA



CLIENT: FRP/MOCOAT FIBERGLASS LTD.		REVISION	
TITLE: S1000 FRP SIPHON TANK		0	
FRP MOCOAT		FIBERGLASS LTD.	
SIZE: C	DRAWING NUMBER: S1000	WEIGHT:	SHEET 1/1
SCALE: 1:20	BURIAL DEPTH:	RATED 7'-0"	