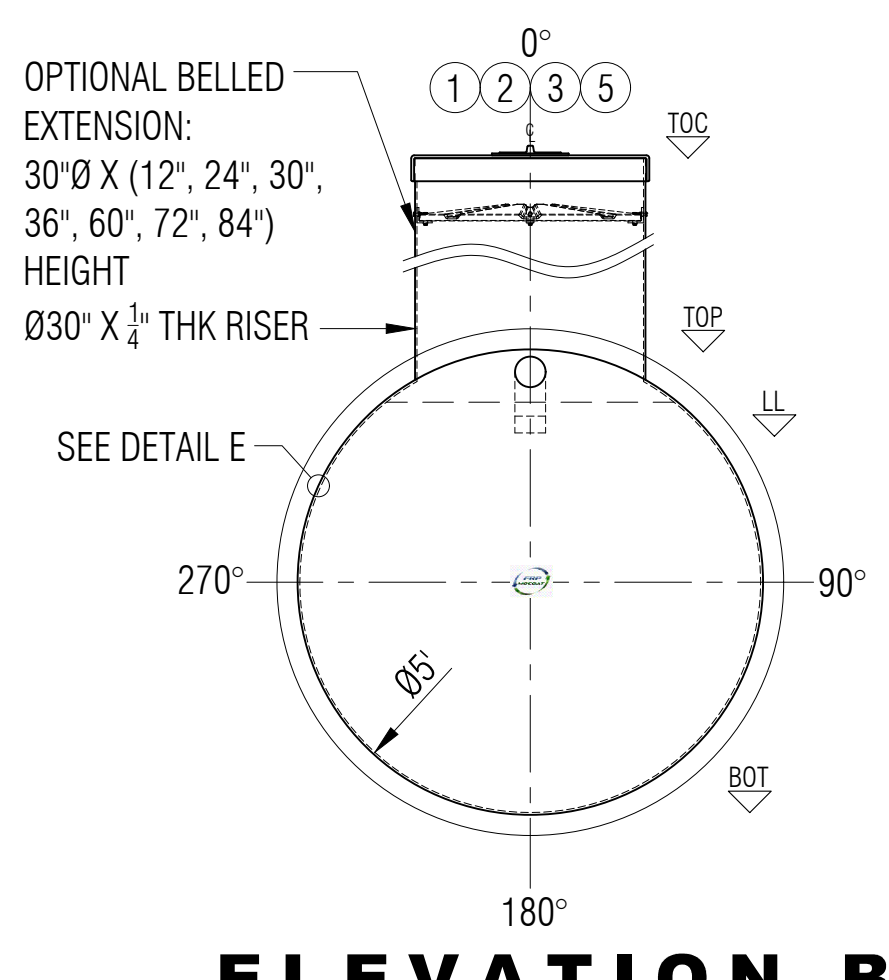
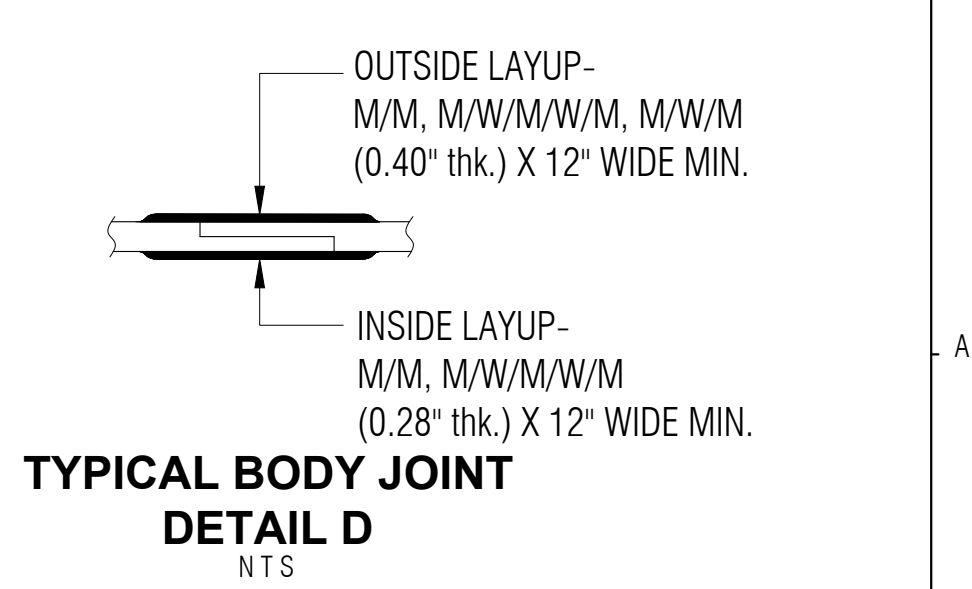


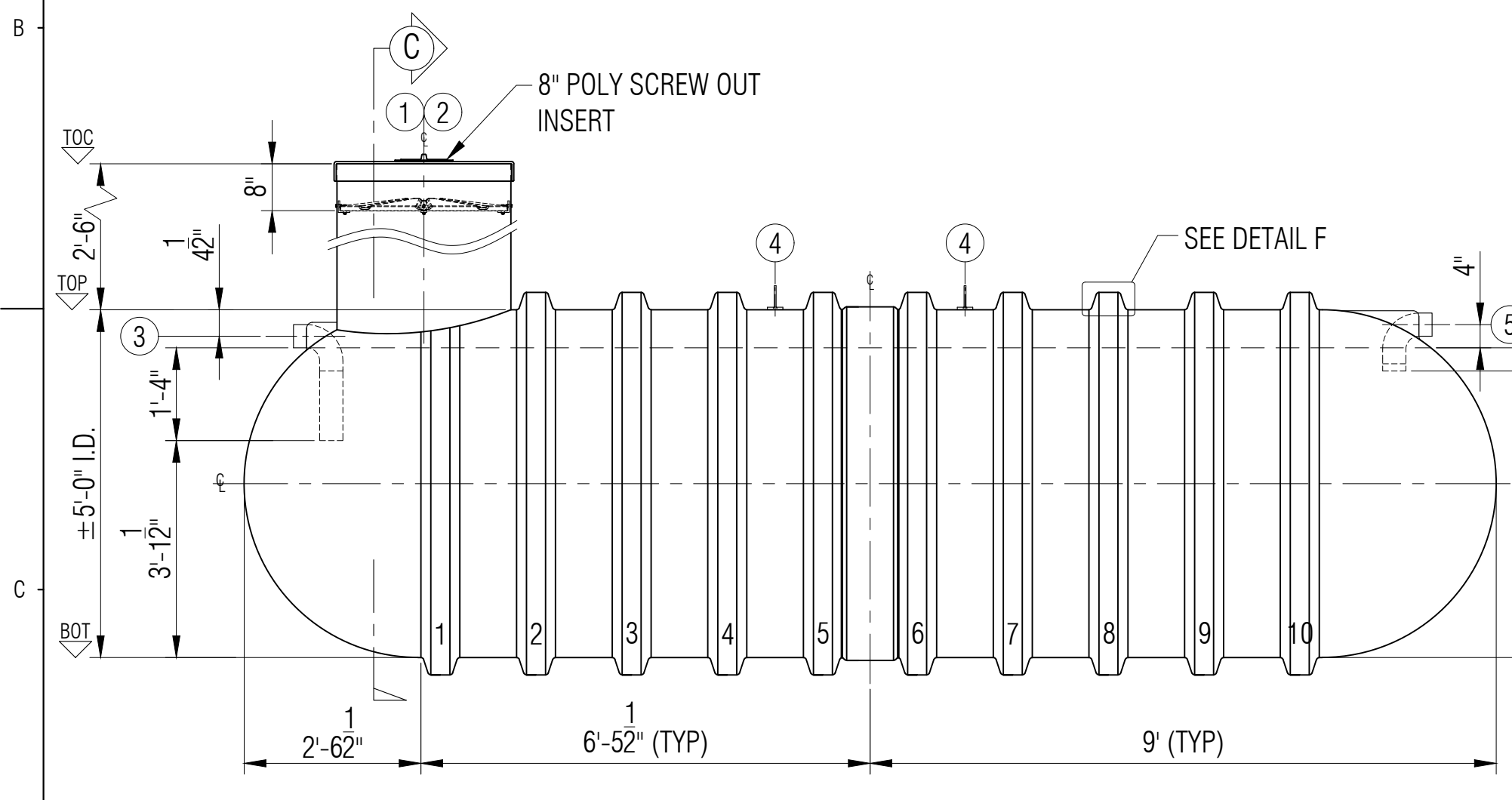
PLAN



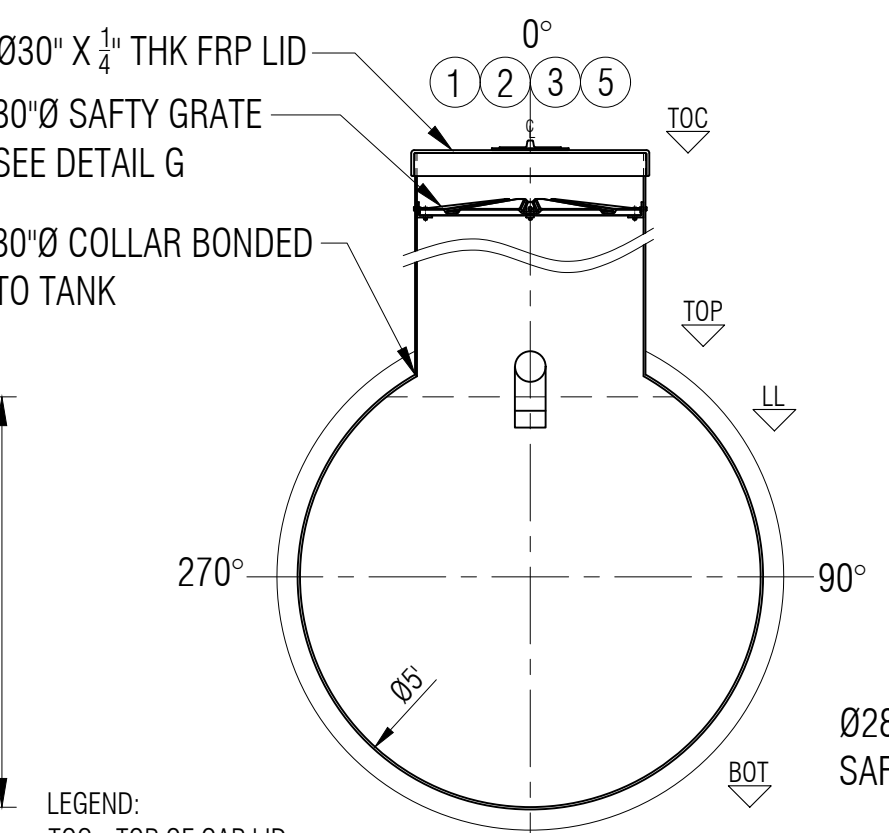
ELEVATION B



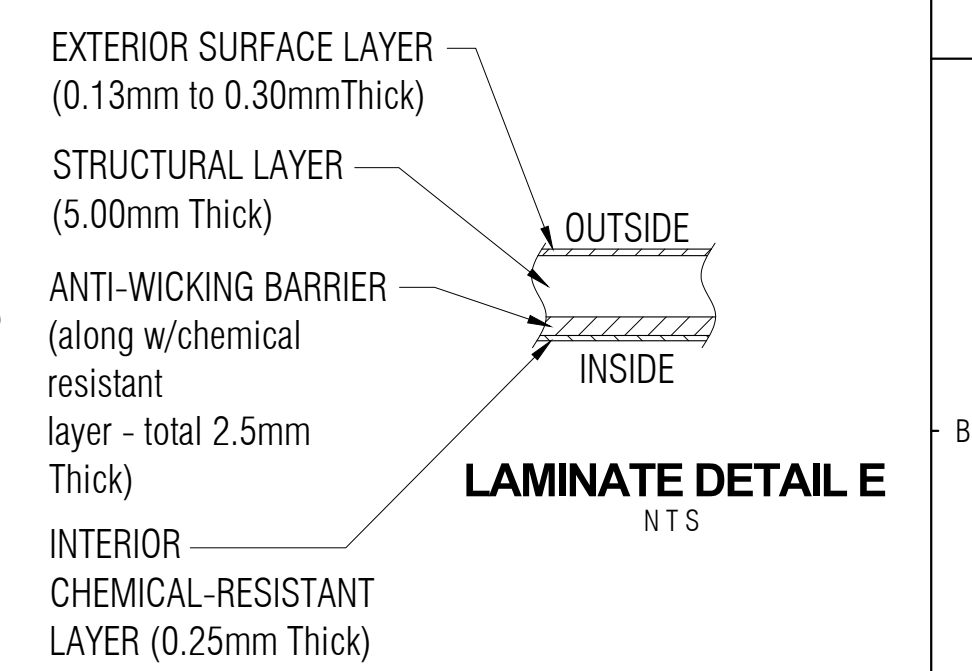
TYPICAL BODY JOINT DETAIL D
NTS



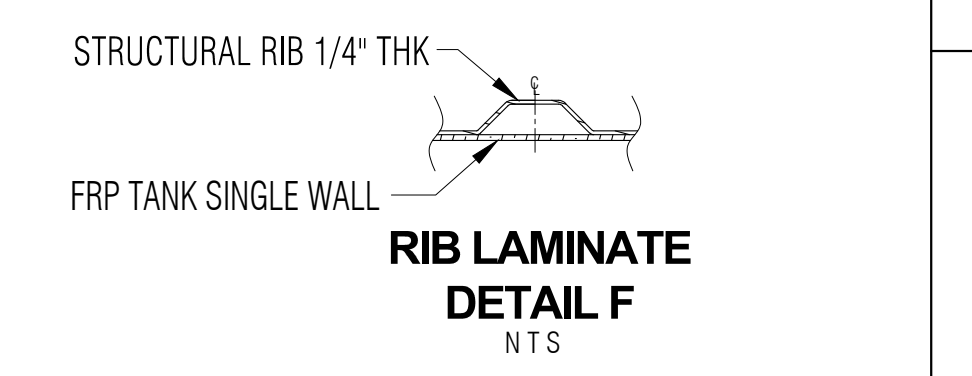
ELEVATION A



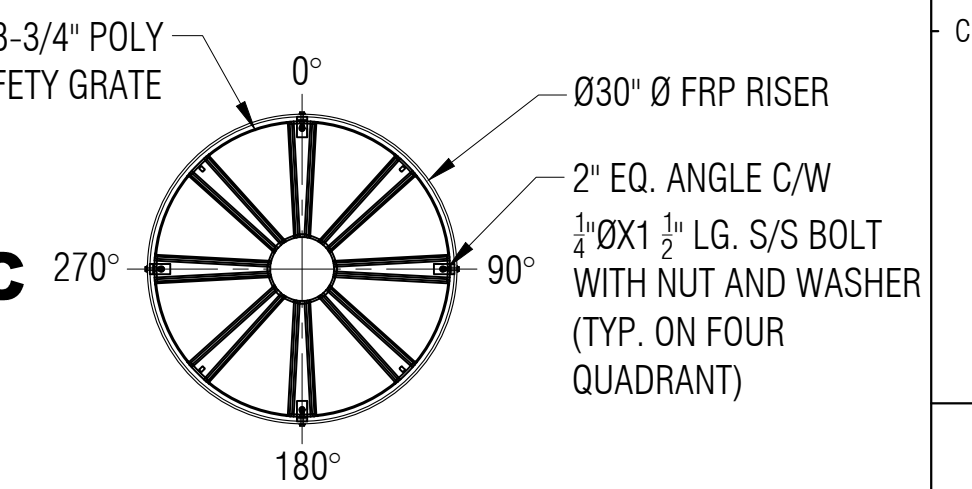
SECTION C



LAMINATE DETAIL E
NTS



RIB LAMINATE DETAIL F
NTS



SAFETY GRATE DETAIL G
SCALE: 1:15

LEGEND:
 TOC - TOP OF CAP LID
 TOF - TOP OF FLANGE
 TOP - TOP CYLINDER
 BOT - BOTTOM CYLINDER
 I/S - INSIDE
 LL - LIQUID LEVEL
 O.A.H. - OVERALL HEIGHT
 O.A.L. - OVERALL LENGTH
 I/S - INSIDE
 O/S - OUTSIDE
 Ø - DIAMETER
 ° - DEGREE/S
 TYP - TYPICAL
 CL - CENTER LINE
 NTS - NOT TO SCALE

GENERAL NOTES:
 - CSA B66 CERTIFIED FRP SEWAGE HOLDING TANK.
 - RATED FOR 7' OF BURIAL DEPTH AND NO TRAFFIC LOADING.
 - ALL DRILLED HOLES FLANGES TO BE COATED WITH RESIN.
 - SAFETY DEVICE CAN WITHSTAND 91 KG. OF DEAD LOAD.
 - DIMENSIONS SHOWN IN FEET INCHES FORMAT OTHERWISE NOTED.
 - 1/2" FABRICATION TOLERANCE. DOES NOT APPLY TO LAMINATE THICKNESS.

ITEM#	QTY	PART LIST	DESCRIPTION	SHELL THICKNESS:	0.300"	DRAWN:	ATF
1	1	30" CAP LID W/ 8"Ø POLY SCREW OUT INSERT	FPR LID	DISH HEAD THICKNESS:	0.300"	CHECKED:	
2	1	30"Ø MANWAY COLLAR	30"Ø FRP MANWAY	RIBS THICKNESS:	0.25" WITH 1 WR	DATE:	JUNE 03, 2023
3	1	4" PVC-DWV 90°	OUTLET	RIB SPACING:	16-1/2" CL TO CL	DESIGNED:	
4	2	MID STEEL	LIFT LUGS	WEIGHT:	453KG (1,000LBS)	APPROVED:	MPS
5	1	4" PVC-DWV 90°	INLET	LENGTH:	5,486MM (18'-0")	MFG:	DS
6	1	POLYETHYLENE SAFETY GRATE C/W HARDWARE	SAFETY GRATE	WORKING CAPACITY:	8,414 L (1,850 IG/2,200 USG)	QA:	GA
7				OVERALL CAPACITY:	9,092 L (2,000 IG/2,400 USG)	SALES:	TA



CLIENT: FRP/MOCOAT FIBERGLASS LTD.		REVISION: 0	
TITLE: T2000 FRP TRICKLE TANK		SHEET: 1/1	
FRP MOCOAT FIBERGLASS LTD.		DRAWING NUMBER: T2000	
SIZE: C	SCALE: 1:25	WEIGHT:	BURIAL DEPTH: RATED 7'-0"