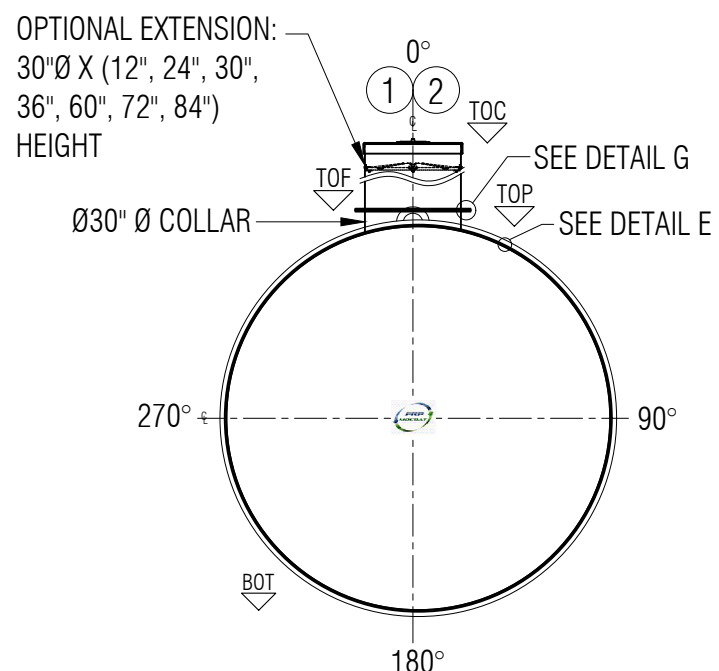
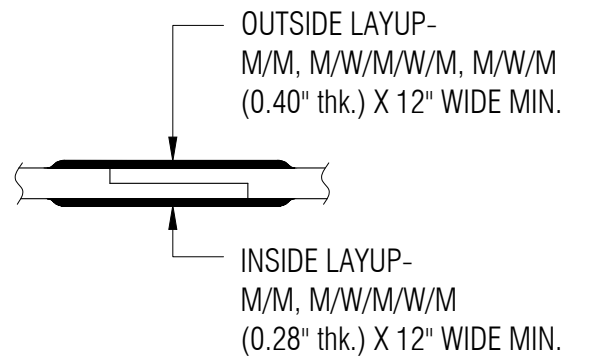


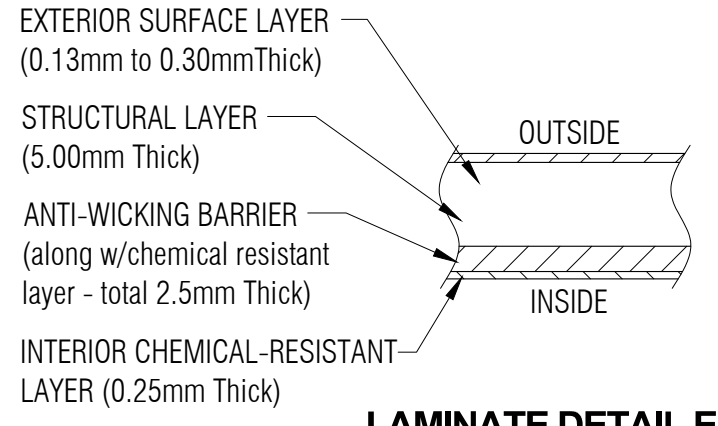
PLAN



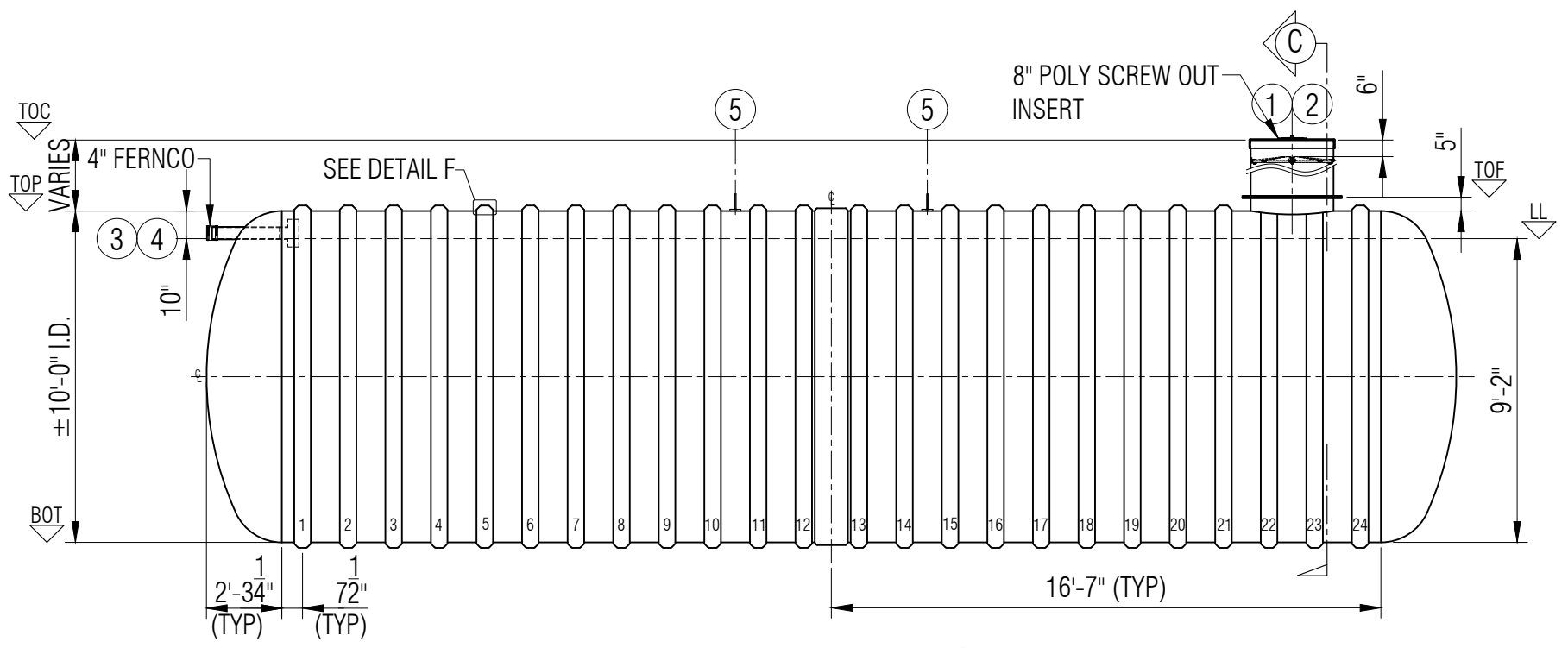
ELEVATION B



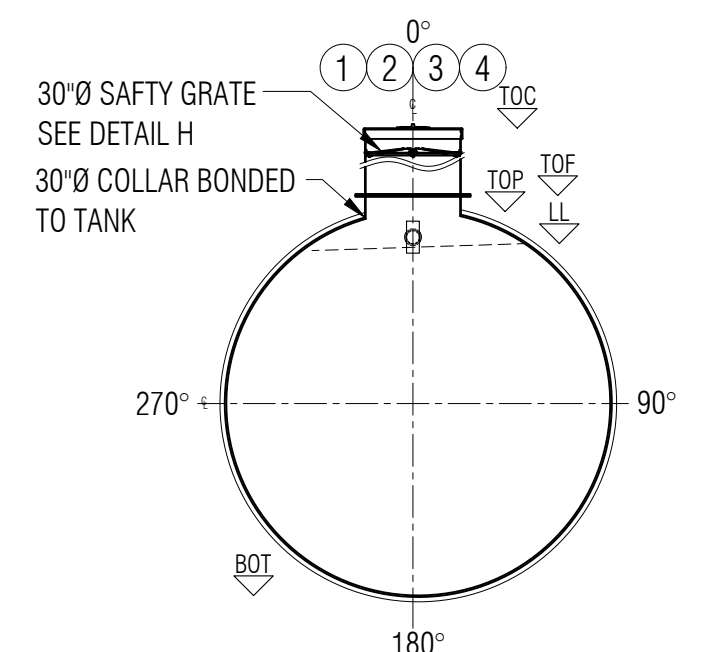
TYPICAL BODY JOINT DETAIL D
NTS



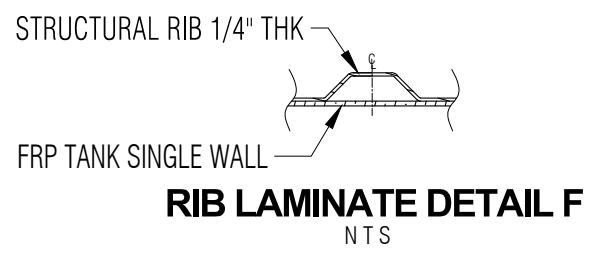
LAMINATE DETAIL E
NTS



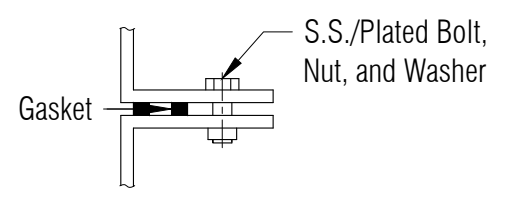
ELEVATION A



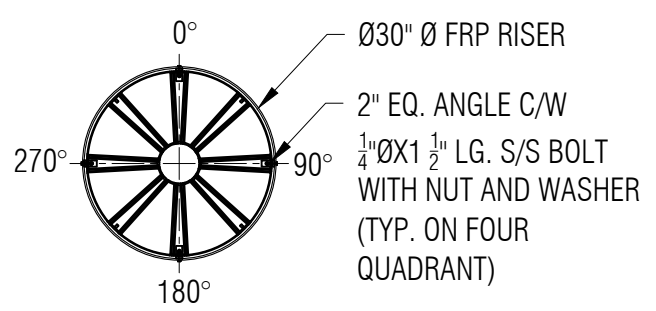
SECTION C



RIB LAMINATE DETAIL F
NTS



FLANGE TO FLANGE CONNECTION DETAIL G
NTS

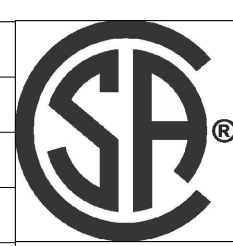


SAFETY GRATE DETAIL H
SCALE: 1:20

LEGEND:
 TOC - TOP OF CAP LID
 TOF - TOP OF FLANGE
 TOP - TOP CYLINDER
 BOT - BOTTOM CYLINDER
 I/S - INSIDE
 LL - LIQUID LEVEL
 O.A.H.-OVERALL HEIGHT
 O.A.L.-OVERALL LENGTH
 I/S - INSIDE
 O/S - OUTSIDE
 Ø - DIAMETER
 ° - DEGREE/S
 TYP- TYPICAL
 C - CENTER LINE
 NTS - NOT TO SCALE

GENERAL NOTES:
 - CSA B66 CERTIFIED FRP TANK FOR WASTE WATER.
 - RATED FOR 7' OF BURIAL DEPTH AND NO TRAFFIC LOADING.
 - ALL DRILLED HOLES FLANGES TO BE COATED WITH RESIN.
 - SAFETY DEVICE CAN WITHSTAND 91 KG. OF DEAD LOAD.
 - DIMENSIONS SHOWN IN FEET INCHES FORMAT OTHERWISE NOTED.
 - 1/2" FABRICATION TOLERANCE. DOES NOT APPLY TO LAMINATE THICKNESS.

ITEM#	QTY	PART LIST	DESCRIPTION	SHELL THICKNESS:	0.400"	DRAWN:	ATF
1	1	30" CAP LID W/ 8"D POLY SCREW OUT INSERT	FPR LID	DISH HEAD THICKNESS:	0.940"	CHECKED:	ATF/MPS
2	1	30"Ø MANWAY COLLAR	30"Ø FRP COLLAR	RIBS THICKNESS:	0.25"	DATE:	APR. 03, 2023
3	1	4" FERNCO	FLEXIBLE CONNECTOR	RIB SPACING:	16-1/2" (CL TO CL)	DESIGNED:	
4	1	4"Ø PVC PIPE & TEEWYE	INLET	LENGTH:	11,493MM (37'-8 1/2")	APPROVED:	MPS
5	2	MILD STEEL	LIFT LUGS	WORKING CAPACITY:	70,787 L (15,571G/18,700USG)	MFG:	DS
6	1	SAFETY GRATE C/W HARDWARE	SAFETY GRATE	OVERALL CAPACITY:	77,169 L (16,975G/20,387 USG)	PM:	GA
				NUMBER OF RIBS:	24	SALES:	TA



CLIENT: FRP/MOCOAT FIBERGLASS LTD.		REVISION	
TITLE: BX17500S FIBERGLASS HOLDING TANK		0	
SIZE: C	DRAWING NUMBER: BX17500S	WEIGHT:	SHEET 1/1
SCALE: 1:60	BURIAL DEPTH:	RATED 7'-0"	