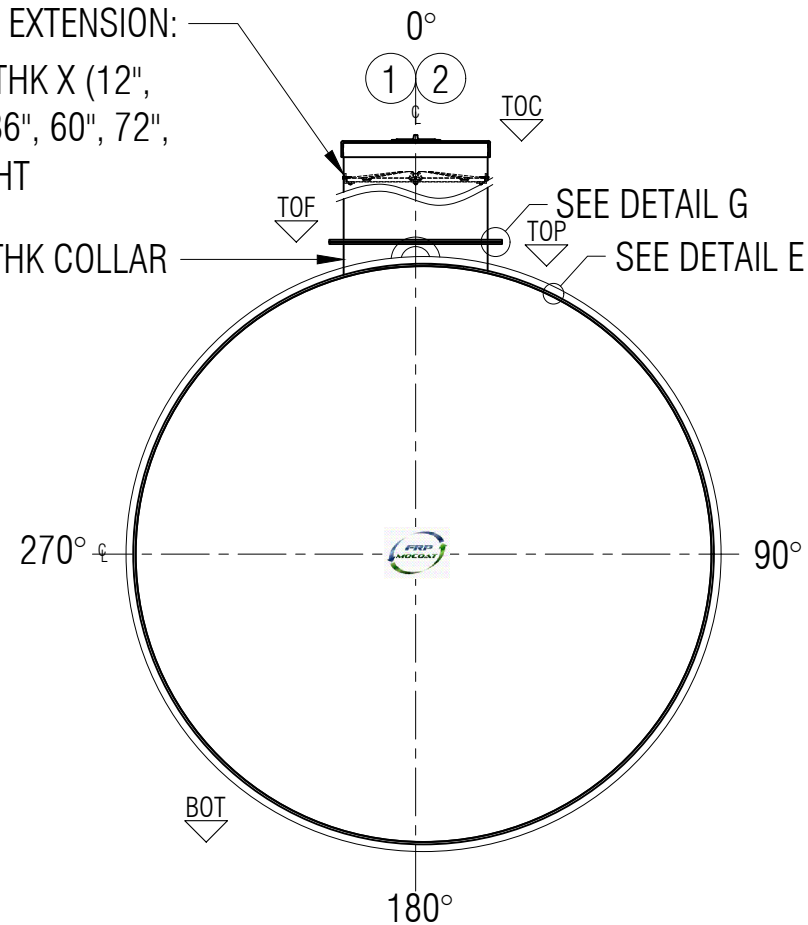


PLAN

OPTIONAL EXTENSION:
 30"Ø X 1/4" THK X (12",
 24", 30", 36", 60", 72",
 84") HEIGHT
 Ø30" X 1/4" THK COLLAR



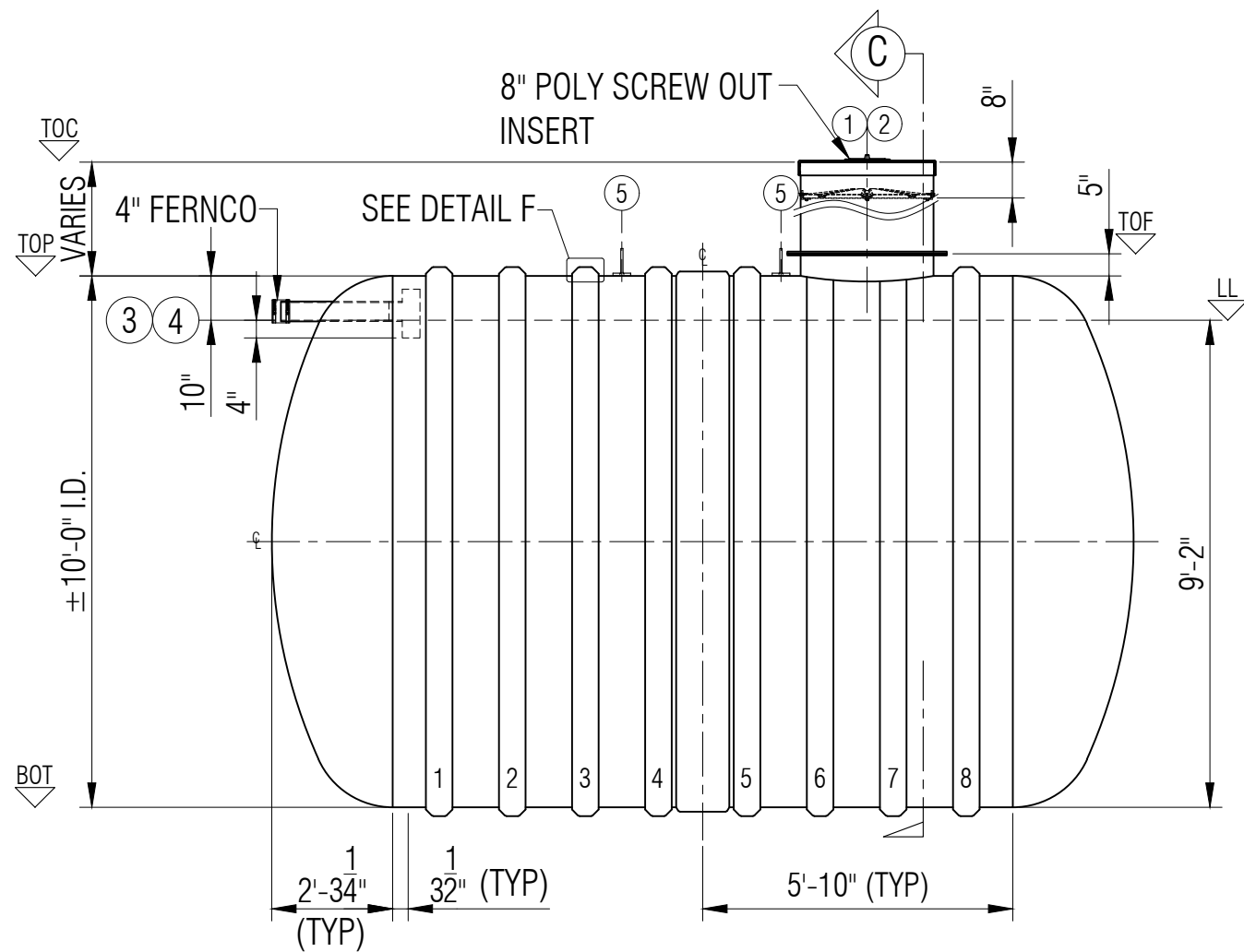
ELEVATION B

OUTSIDE LAYUP-
 M/M, M/W/M/W/M, M/W/M
 (0.40" thk.) X 12" WIDE MIN.
 INSIDE LAYUP-
 M/M, M/W/M/W/M
 (0.28" thk.) X 12" WIDE MIN.

TYPICAL BODY JOINT DETAIL D
 NTS

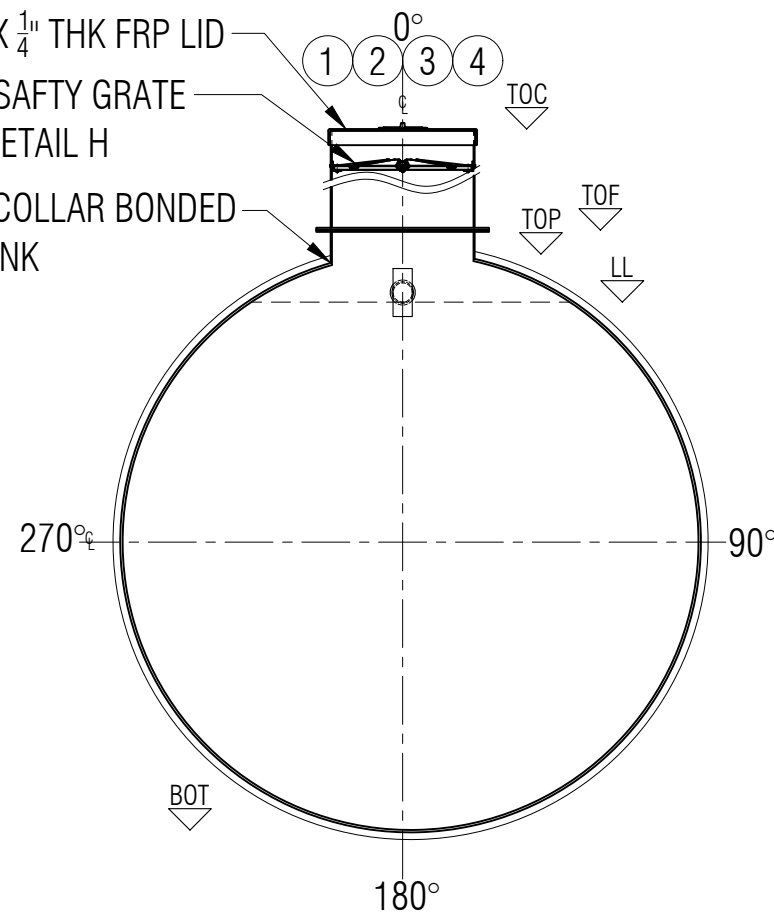
EXTERIOR SURFACE LAYER
 (0.13mm to 0.30mm Thick)
 STRUCTURAL LAYER
 (5.00mm Thick)
 ANTI-WICKING BARRIER
 (along w/chemical resistant
 layer - total 2.5mm Thick)
 INTERIOR
 CHEMICAL-RESISTANT
 LAYER (0.25mm Thick)

LAMINATE DETAIL E
 NTS



ELEVATION A

Ø30" X 1/4" THK FRP LID
 30"Ø SAFETY GRATE
 SEE DETAIL H
 30"Ø COLLAR BONDED
 TO TANK



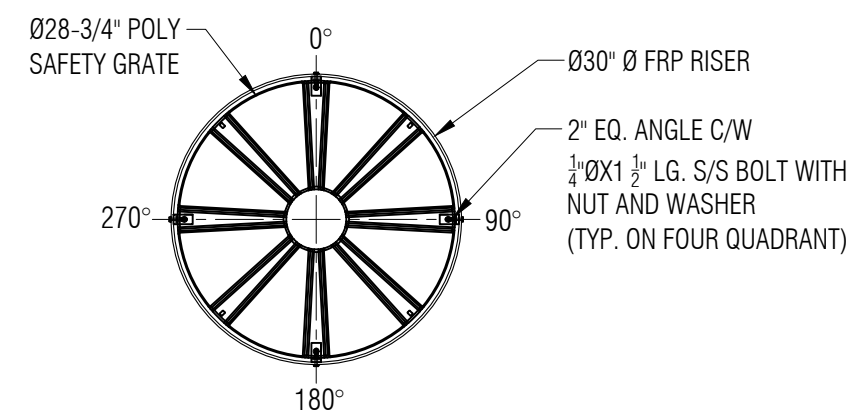
SECTION C

STRUCTURAL RIB 1/4" THK
 FRP TANK SINGLE WALL

RIB LAMINATE DETAIL F
 NTS

S.S./Plated Bolt,
 Nut, and Washer
 Gasket

**FLANGE TO FLANGE
 CONNECTION DETAIL G**
 NTS

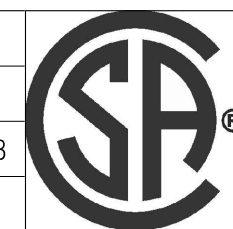


SAFETY GRATE DETAIL H
 SCALE: 1:20

LEGEND:
 TOC - TOP OF CAP LID
 TOF - TOP OF FLANGE
 TOP - TOP CYLINDER
 BOT - BOTTOM CYLINDER
 I/S - INSIDE
 LL - LIQUID LEVEL
 O.A.H.-OVERALL HEIGHT
 O.A.L.-OVERALL LENGTH
 I/S - INSIDE
 O/S - OUTSIDE
 Ø - DIAMETER
 ° - DEGREE/S
 TYP- TYPICAL
 CL - CENTER LINE
 NTS - NOT TO SCALE

GENERAL NOTES:
 - CSA B66 CERTIFIED FRP TANK FOR WASTE WATER.
 - RATED FOR 10' OF BURIAL DEPTH AND NO TRAFFIC LOADING.
 - ALL DRILLED HOLES FLANGES TO BE COATED WITH RESIN.
 - SAFETY DEVICE CAN WITHSTAND 91 KG. OF DEAD LOAD.
 - DIMENSIONS SHOWN IN FEET INCHES FORMAT OTHERWISE NOTED.
 - 1/2" FABRICATION TOLERANCE. DOES NOT APPLY TO LAMINATE THICKNESS.

ITEM#	QTY	PART LIST	DESCRIPTION	SHELL THICKNESS:	0.425"	DRAWN:	ATF
1	1	30" CAP LID W/ 8"D POLY SCREW OUT INSERT	FPR LID	DISH HEAD THICKNESS:	1.030"	CHECKED:	
2	1	30"Ø MANWAY COLLAR	30"Ø FRP COLLAR	RIBS THICKNESS:	0.300"+2 WR (0.066")= .366"	DATE:	APR. 14, 2023
3	1	4" FERNCO	FLEXIBLE CONNECTOR	RIB SPACING:	16-1/2" (CL TO CL)	DESIGNED:	
4	1	4"Ø PVC PIPE & TEEWYE	INLET	LENGTH:	4,940MM (16'-2 1/2")	APPROVED:	MPS
5	2	MILD STEEL	LIFT LUGS	WORKING CAPACITY:	26,985 L (5,936 IG/7,130 USG)	MFG:	DS
6	1	POLYETHYLENE SAFETY GRATE C/W HARDWARE	SAFETY GRATE	OVERALL CAPACITY:	29,350 L (6,456 IG/7,754 USG)	PM:	GA
				NUMBER OF RIBS:	8	SALES:	TA



CLIENT: FRP/MOCOAT FIBERGLASS LTD.
 TITLE: **BX7000-DB FIBERGLASS HOLDING TANK**

FRP MOCOAT
 FIBERGLASS LTD.

SIZE	DRAWING NUMBER:	REVISION
C	BX7000-DB	0
SCALE	WEIGHT:	SHEET
1:40	BURIAL DEPTH:	1/1
	RATED 10'-0"	