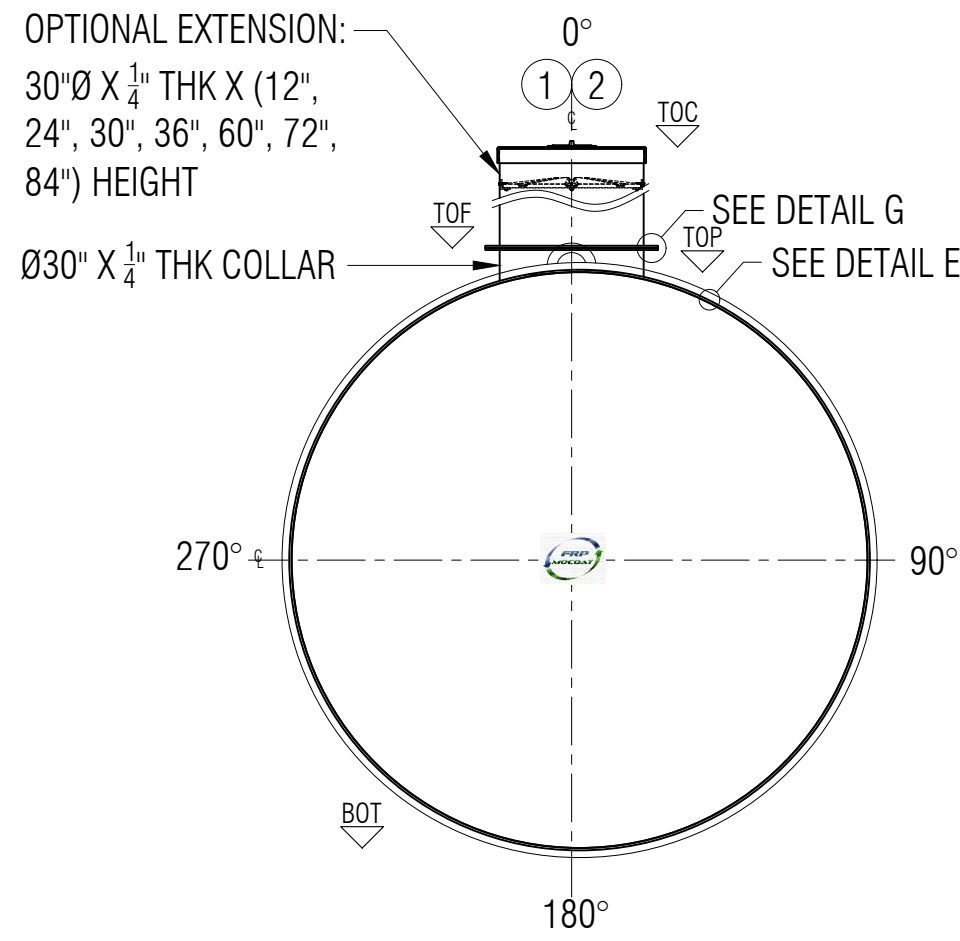
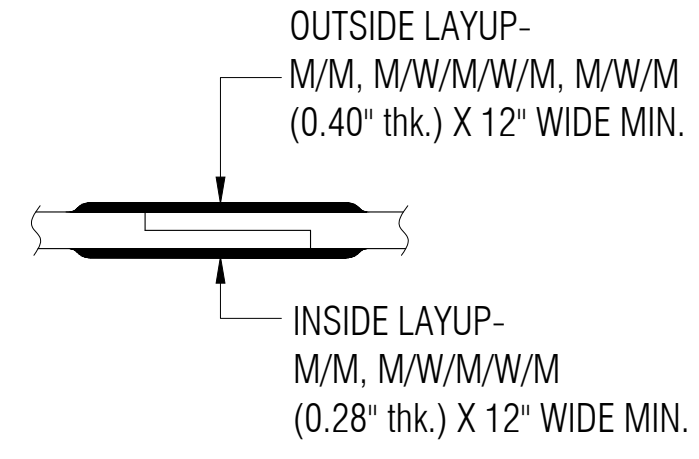


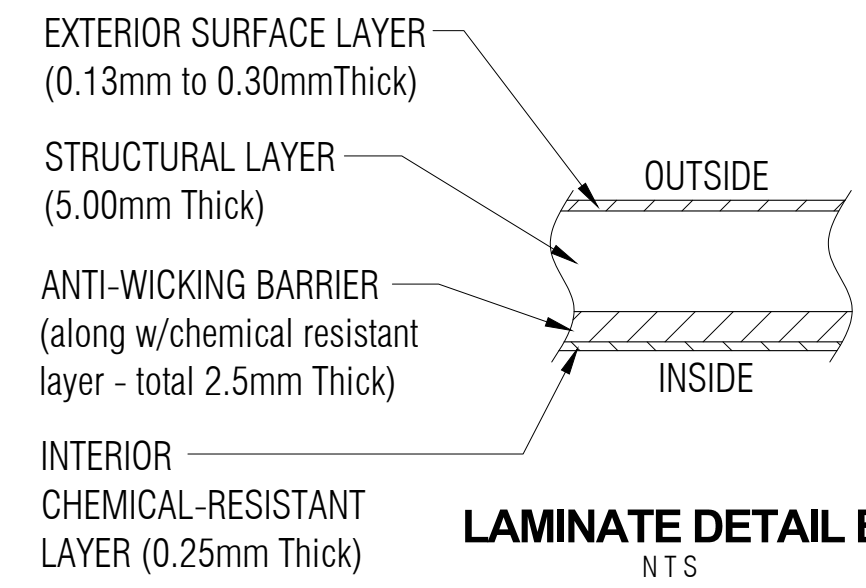
PLAN



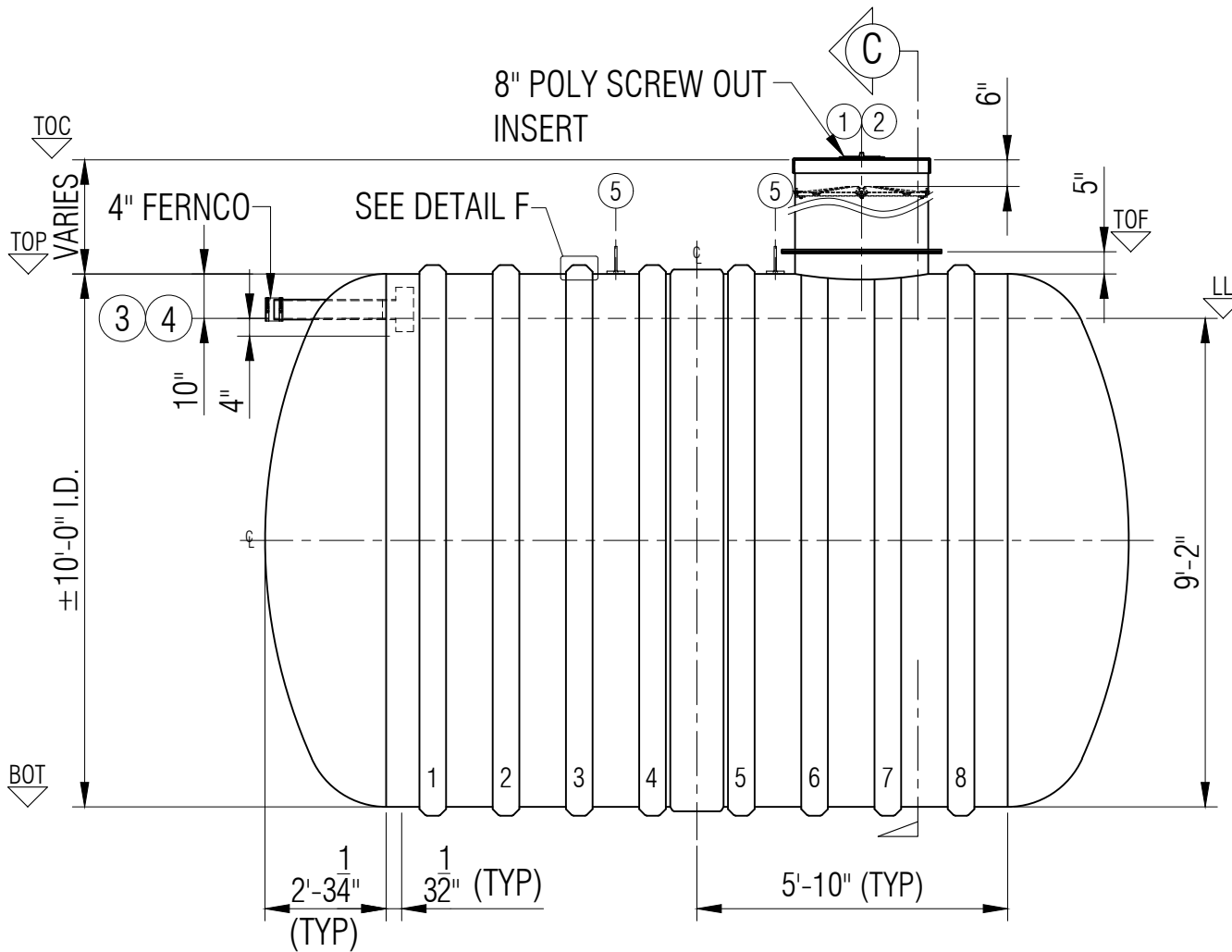
ELEVATION B



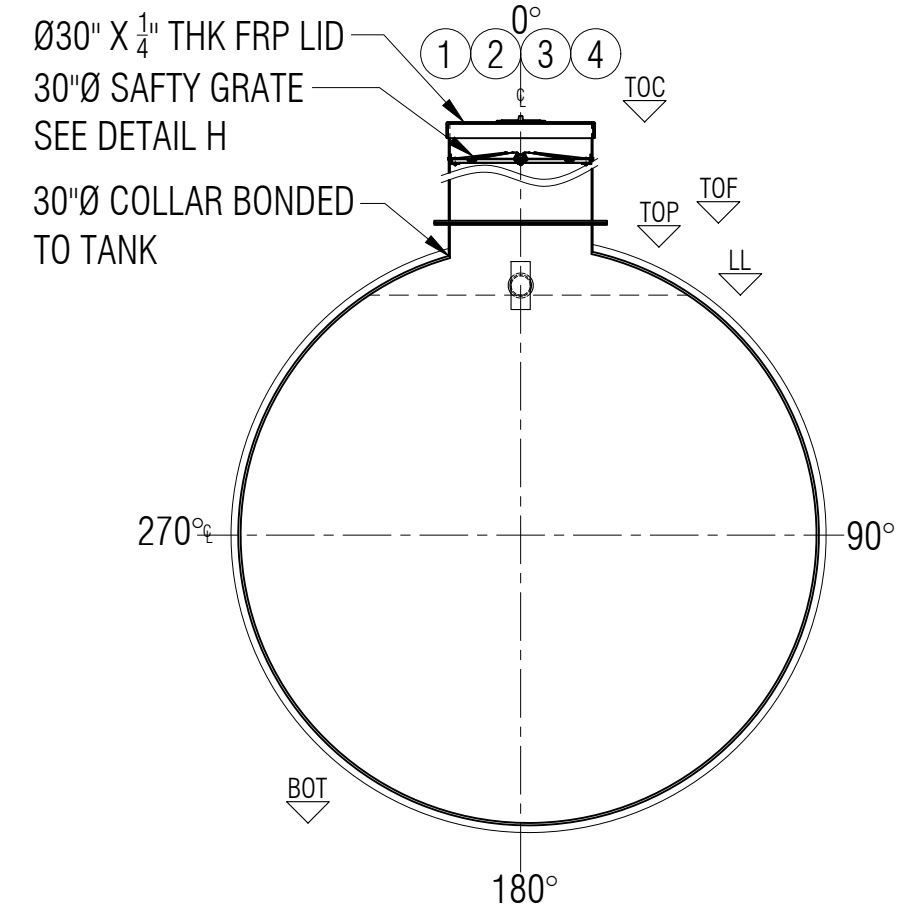
TYPICAL BODY JOINT DETAIL D
NTS



LAMINATE DETAIL E
NTS



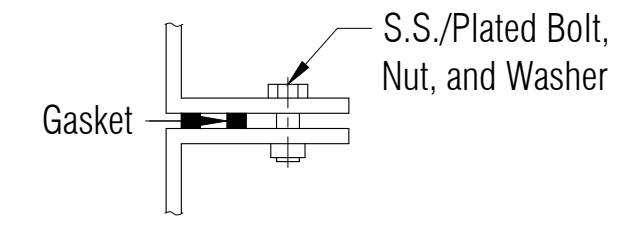
ELEVATION A



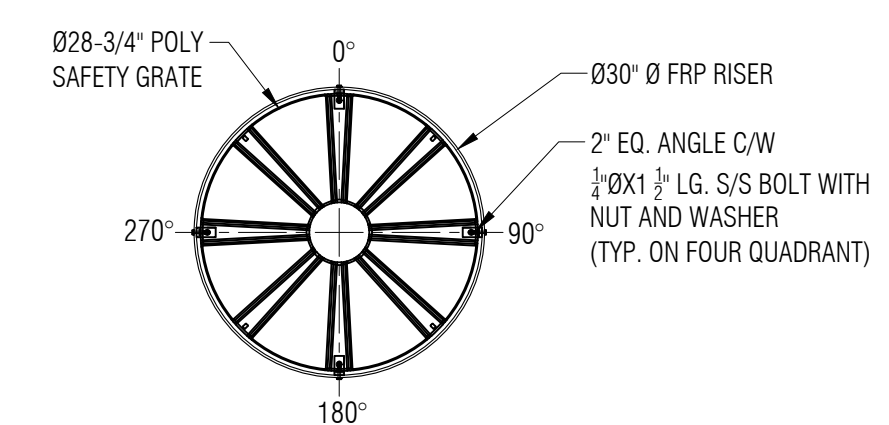
SECTION C



RIB LAMINATE DETAIL F
NTS



FLANGE TO FLANGE CONNECTION DETAIL G
NTS



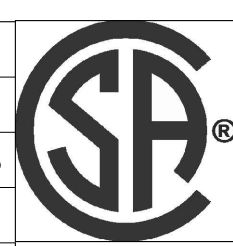
SAFETY GRATE DETAIL H
SCALE: 1:20

- LEGEND:
- TOC - TOP OF CAP LID
 - TOF - TOP OF FLANGE
 - TOP - TOP CYLINDER
 - BOT - BOTTOM CYLINDER
 - I/S - INSIDE
 - O/S - OUTSIDE
 - Ø - DIAMETER
 - ° - DEGREE/S
 - TYP - TYPICAL
 - ℄ - CENTER LINE
 - NTS - NOT TO SCALE

GENERAL NOTES:

- CSA B66 CERTIFIED FRP TANK FOR WASTE WATER.
- RATED FOR 7' OF BURIAL DEPTH AND NO TRAFFIC LOADING.
- ALL DRILLED HOLES FLANGES TO BE COATED WITH RESIN.
- SAFETY DEVICE CAN WITHSTAND 91 KG. OF DEAD LOAD.
- DIMENSIONS SHOWN IN FEET INCHES FORMAT OTHERWISE NOTED.
- 1/2" FABRICATION TOLERANCE. DOES NOT APPLY TO LAMINATE THICKNESS.

ITEM#	QTY	PART LIST	DESCRIPTION	SHELL THICKNESS:	0.400"	DRAWN:	ATF
1	1	30" CAP LID W/ 8"D POLY SCREW OUT INSERT	FPR LID	DISH HEAD THICKNESS:	0.940"	CHECKED:	
2	1	30"Ø MANWAY COLLAR	30"Ø FRP COLLAR	RIBS THICKNESS:	0.25"	DATE:	MAR. 28, 2023
3	1	4" FERNCO	FLEXIBLE CONNECTOR	RIB SPACING:	16-1/2" (CL to CL)	DESIGNED:	
4	1	4"Ø PVC PIPE & TEEWYE	INLET	LENGTH:	4,940MM (16'-2 1/2")	APPROVED:	MPS
5	2	MILD STEEL	LIFT LUGS	WORKING CAPACITY:	26,985 L (5,936 IG/7,130 USG)	MFG:	DS
6	1	POLYETHYLENE SAFETY GRATE C/W HARDWARE	SAFETY GRATE	OVERALL CAPACITY:	29,350 L (6,456 IG/7,754 USG)	PM:	GA
				NUMBER OF RIBS:	8	SALES:	TA



CLIENT: FRP/MOCOAT FIBERGLASS LTD.		REVISION	
TITLE: BX7000S FIBERGLASS HOLDING TANK		0	
FRP MOCOAT		FIBERGLASS LTD.	
SIZE: C	DRAWING NUMBER: BX7000S	WEIGHT:	SHEET 1/1
SCALE: 1:40	BURIAL DEPTH:	RATED 7'-0"	